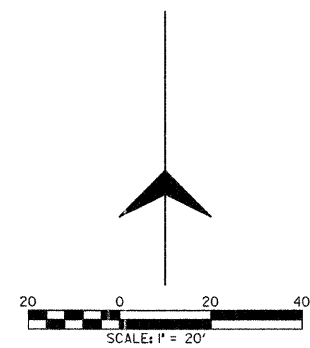
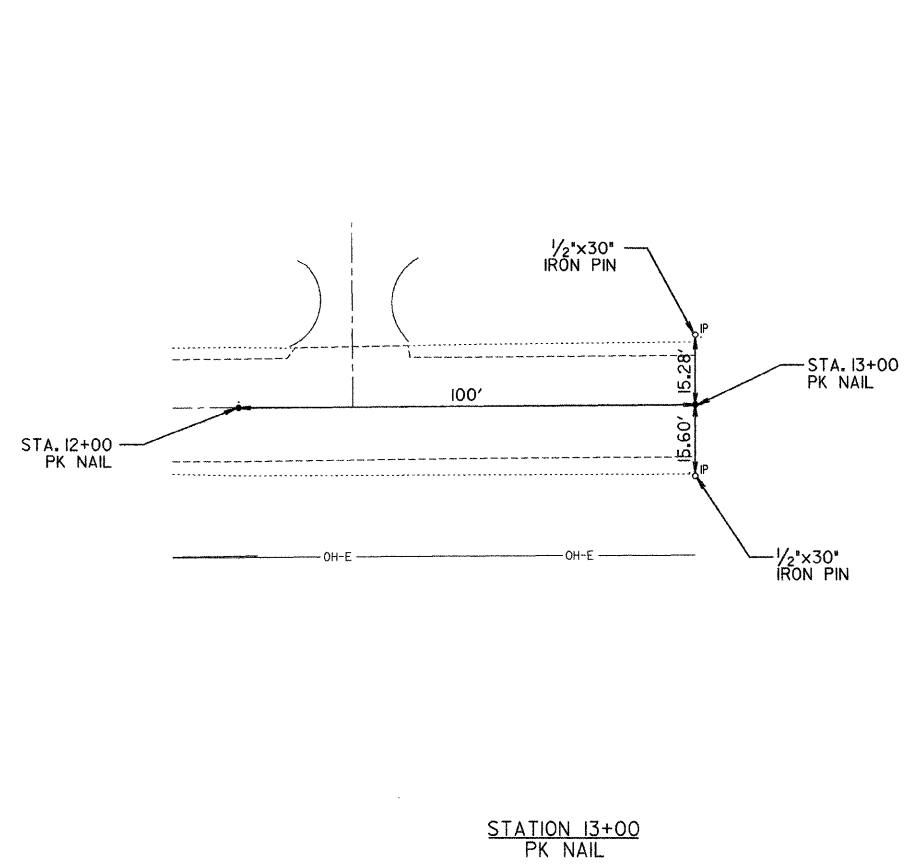
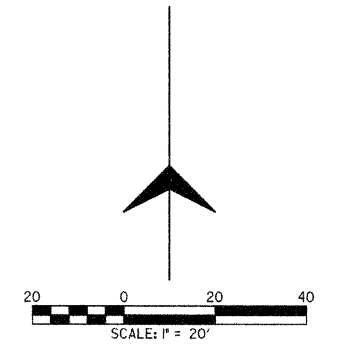
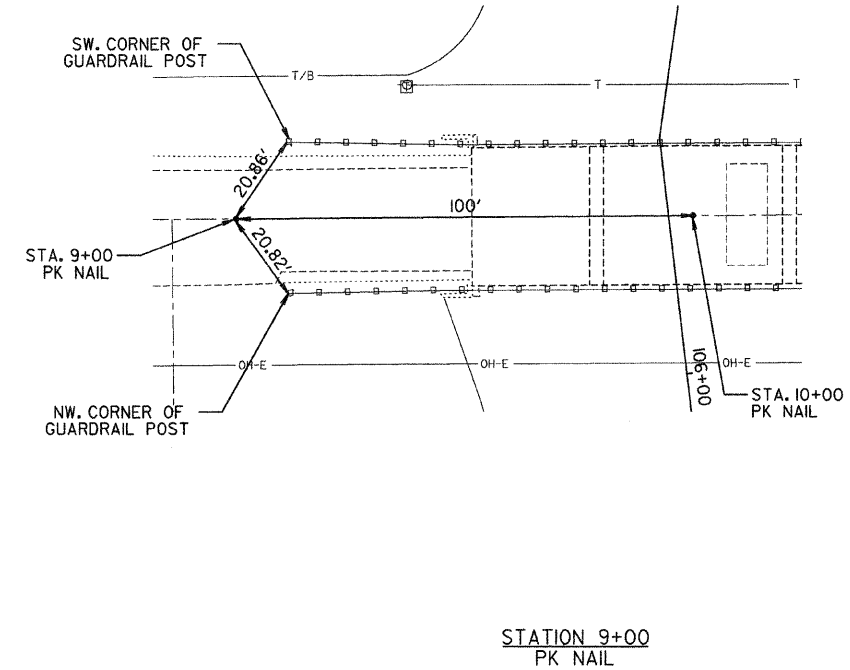
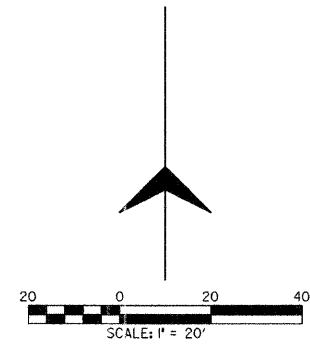
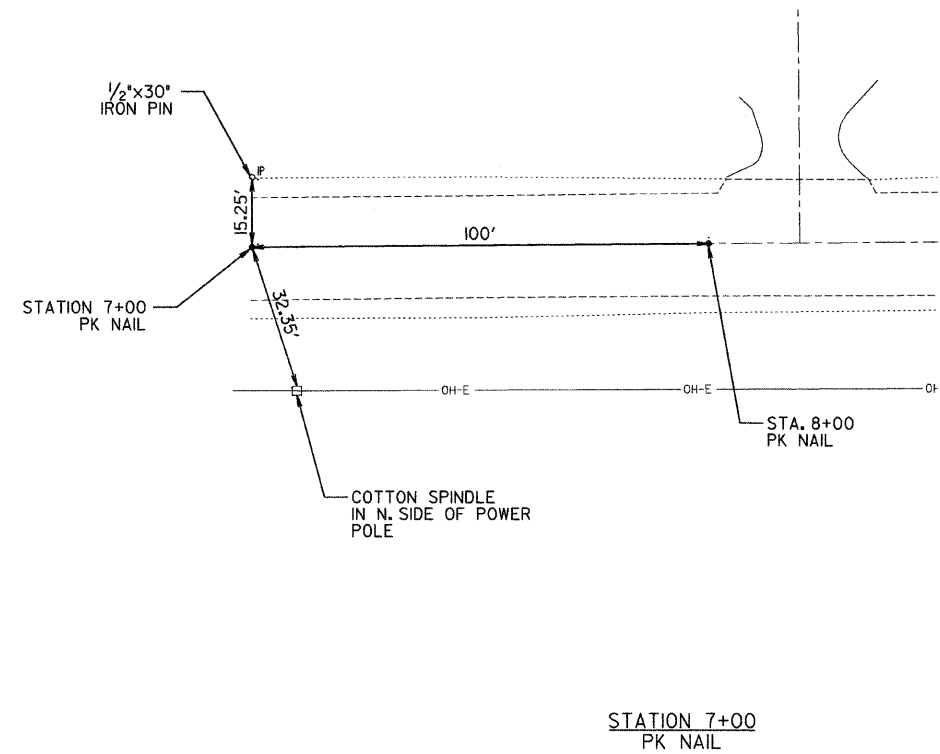


| ROUTE NO.     | SECTION        | COUNTY           | TOTAL SHEETS | SHEET NO. |
|---------------|----------------|------------------|--------------|-----------|
| C.H. II       | 10-00962-00-BR | CHAMPAIGN        | 40           | 6         |
| STA.          |                | TO STA.          |              |           |
| F.H.W.A. REG. |                | ILLINOIS PROJECT |              |           |



| TIE POINTS |                  |
|------------|------------------|
| SECTION:   | 10-00962-00-BR   |
| COUNTY:    | CHAMPAIGN COUNTY |
| STATION:   | Q STATION 10+00  |