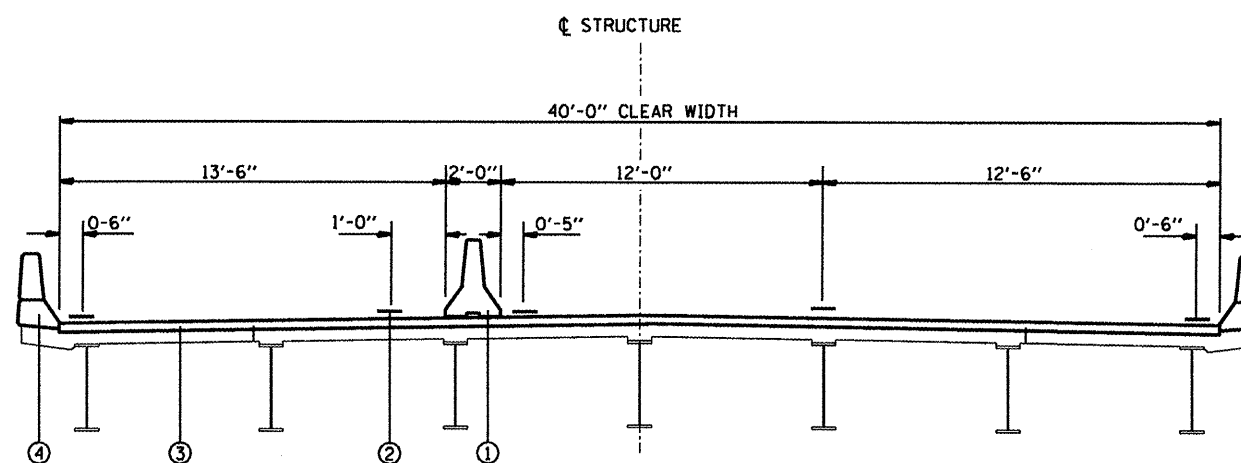


BILL OF MATERIALS

ITEM	UNIT	TOTAL
CONCRETE SEALER	SQ FT.	5,543



TYPICAL SECTION
(LOOKING EAST)

LEGEND

- ① EXISTING CONCRETE SAFETY BARRIER, SPECIAL
- ② EXISTING PREFORMED PLASTIC PAVEMENT MARKING
- ③ EXISTING PCC BRIDGE DECK

ALL PAVEMENT MARKINGS DIMENSIONS TO CENTER OF STRIPES