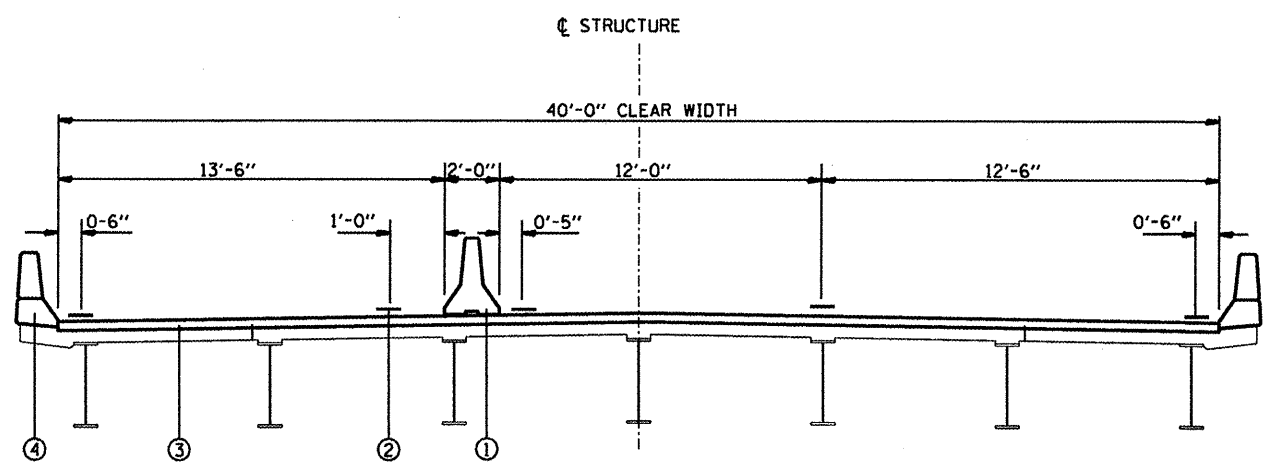


### BILL OF MATERIALS

ITEM	UNIT	TOTAL
CONCRETE SEALER	SQ FT.	15,975



TYPICAL SECTION  
(LOOKING EAST)

- LEGEND**
- ① EXISTING CONCRETE SAFETY BARRIER, SPECIAL
  - ② EXISTING PREFORMED PLASTIC PAVEMENT MARKING
  - ③ EXISTING PCC BRIDGE DECK
  - ④ EXISTING CONCRETE PARAPET

ALL PAVEMENT MARKINGS DIMENSIONS TO CENTER OF STRIPES