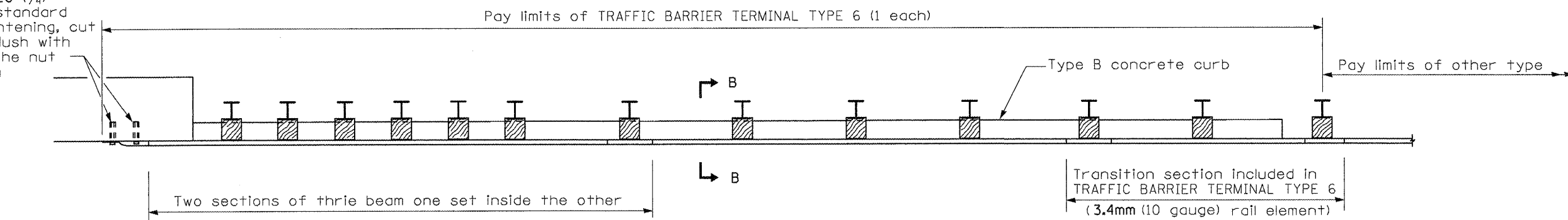
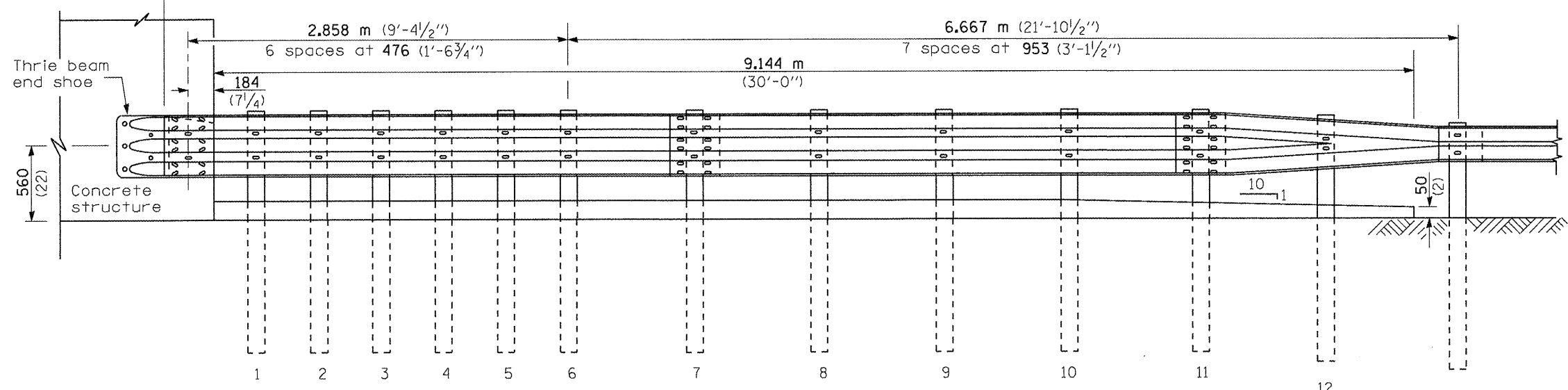


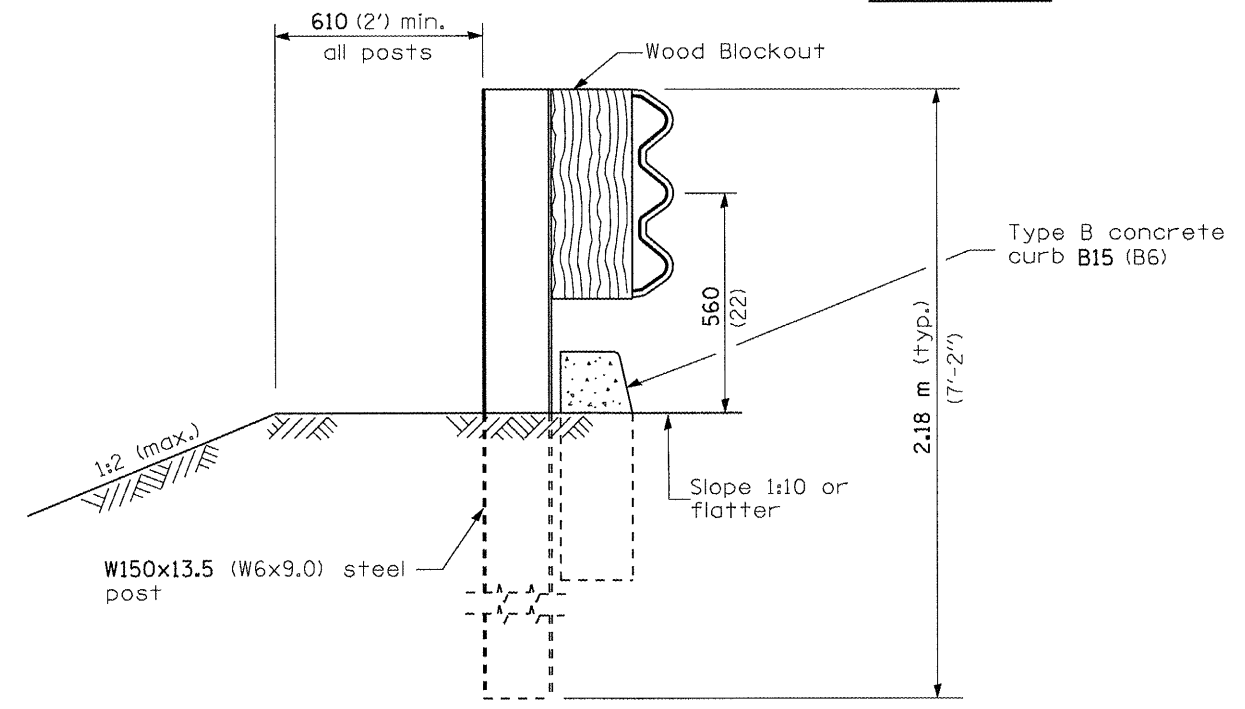
5 Epoxy grouted M20 (¾") anchor bolts with standard washers. After tightening, cut the anchor bolts flush with nuts, and damage the nut to prevent it from loosening.



PLAN



ELEVATION



SECTION B-B

FILE NAME *	USER NAME * Sparksgw	DESIGNED -	REVISED -	STATE OF ILLINOIS DEPARTMENT OF TRANSPORTATION	PRE-MGS HIGHWAY STANDARD 631031-05 TRAFFIC BARRIER TERMINAL, TYPE 6 EFFECTIVE 4-1-06	F.A. RTE.	SECTION	COUNTY	TOTAL SHEETS	SHEET NO.
c:\pwwork\pwwork\sparksgw\d0262291\067231-ah-207-631031-05_TrafficBarrierTerminalType6.dgn	PLDT SCALE = 0:26.000 ms / in.	DRAWN -	REVISED -			VAR	*	VAR	18	16
PLDT DATE = Apr-01-2011 09:44:55AM		CHECKED -	REVISED -			(SHEET 2 OF 3)		CONTRACT NO. 72E39		
		DATE -	REVISED -			SCALE:	SHEET NO. OF SHEETS	STA. TO STA.	ILLINOIS FED. AID PROJECT	