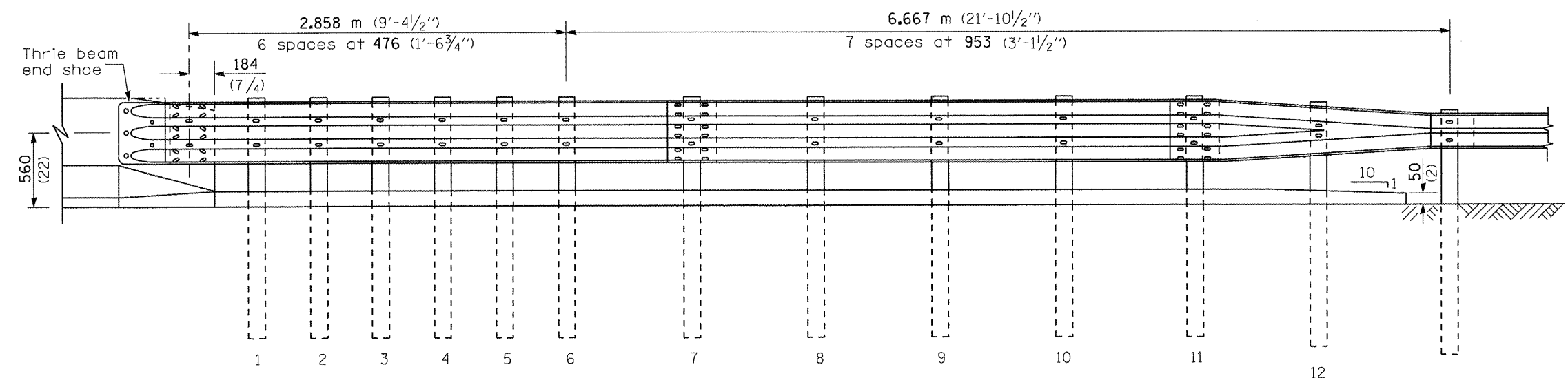
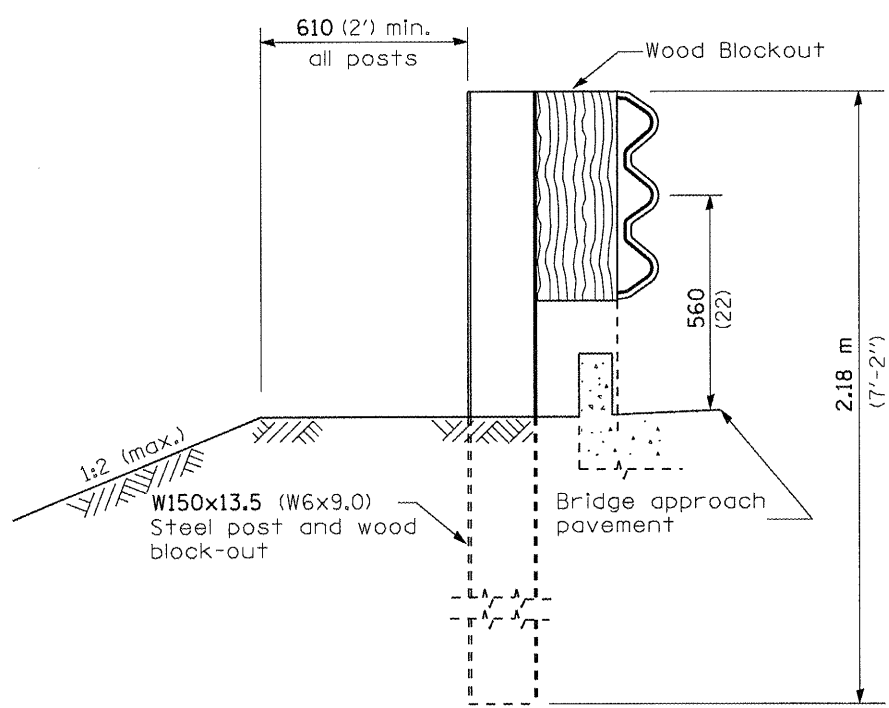


PLAN



ELEVATION



SECTION A-A

GENERAL NOTES

- See Standard 630001 for details of guardrail not shown.
- Thrie beam rail shall be bolted to block-out at all posts.
- See Standard 420401 for details of bridge approach pavement.
- All slope ratios are expressed as units of vertical displacement to units of horizontal displacement (V:H).
- All dimensions are in millimeters (inches) unless otherwise shown.

FILE NAME *	USER NAME * Sparksgr	DESIGNED -	REVISED -	STATE OF ILLINOIS DEPARTMENT OF TRANSPORTATION	PRE-MGS HIGHWAY STANDARD 631031-05 TRAFFIC BARRIER TERMINAL, TYPE 6 EFFECTIVE 4-1-06	F.A. RTE.	SECTION	COUNTY	TOTAL SHEETS	SHEET NO.
ai\pwwork\pwwork\sparksgr\d0262291\0672E39-shr-207-631031-05_TrafBarTermType6.dgn	DRAWN -	REVISED -	VAR			-	VAR	18	15	
PLOT SCALE * 0:26.000 m / 1in.	CHECKED -	REVISED -	CONTRACT NO. 72E39							
PLOT DATE * Apr-01-2011 09:44:15AM	DATE -	REVISED -	SCALE:			SHEET NO. OF SHEETS	STA. TO STA.	ILLINOIS FED. AID PROJECT		