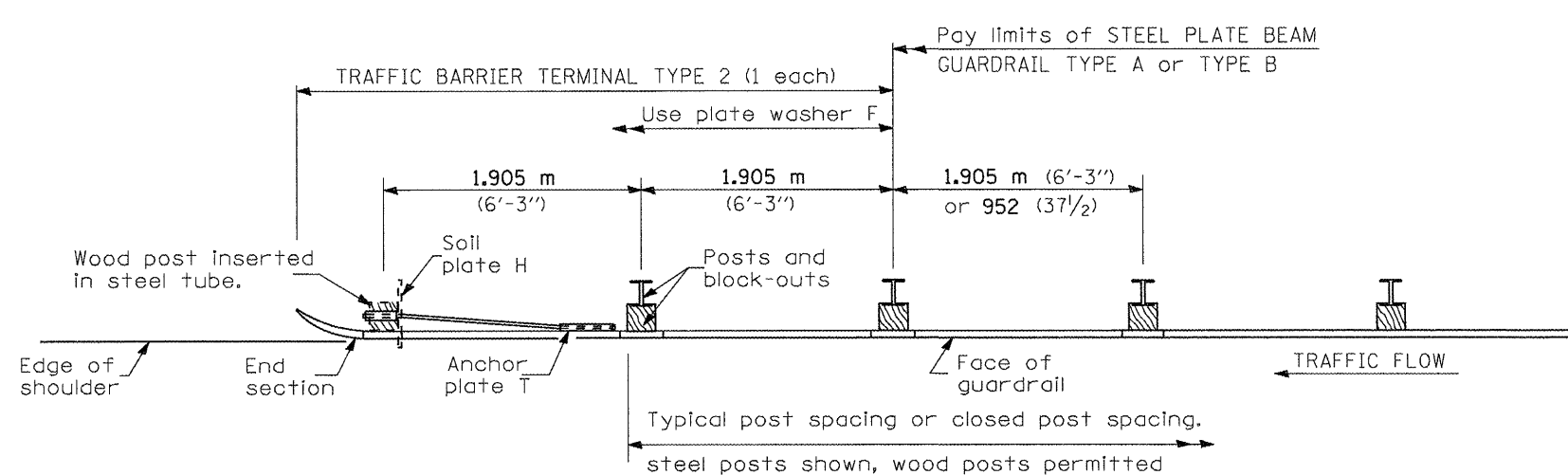
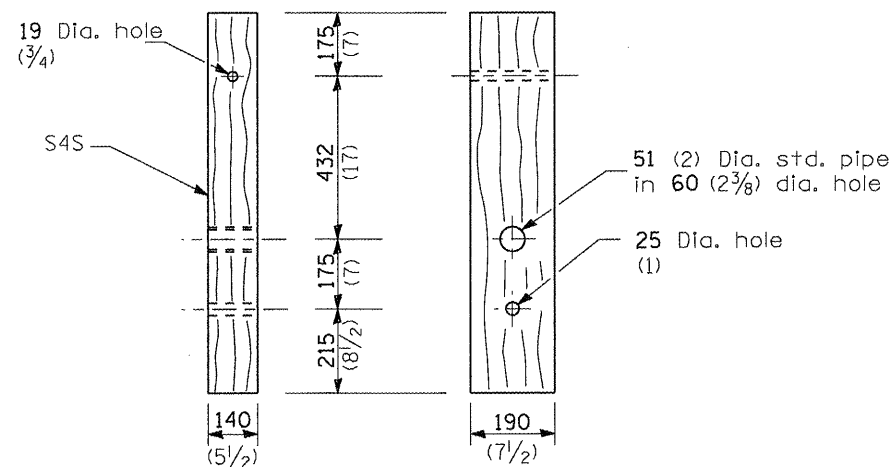


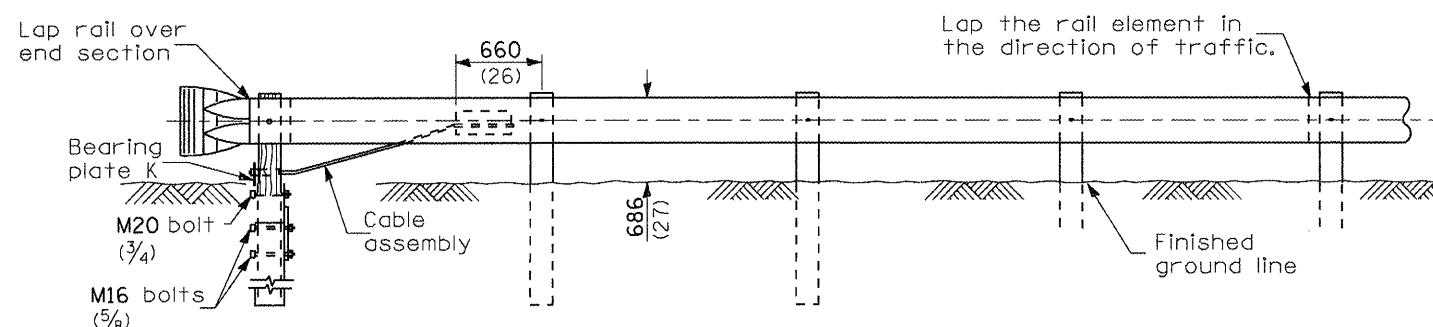
BEARING PLATE K



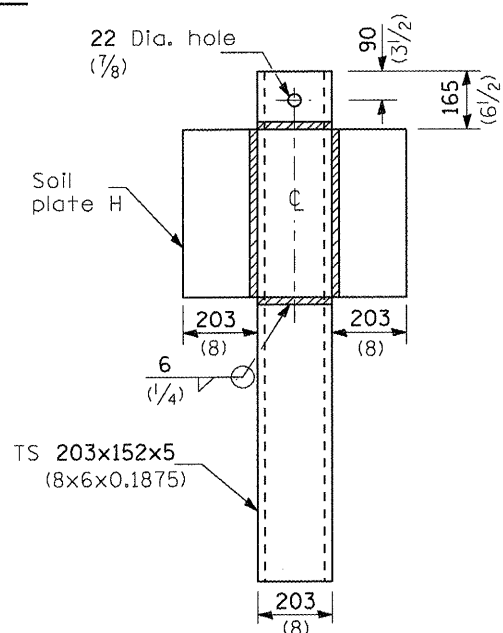
PLAN



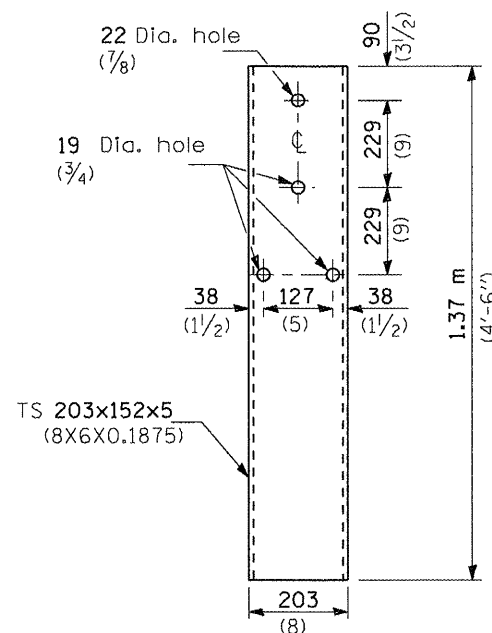
WOOD POST



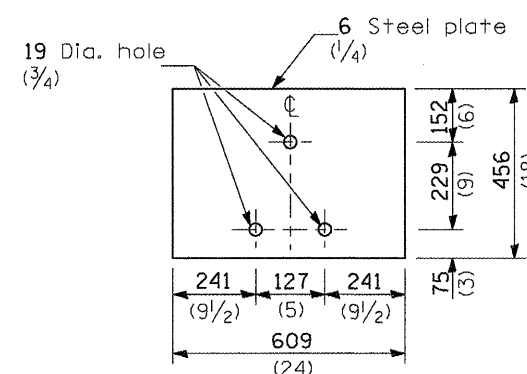
ELEVATION



ALTERNATE SOIL PLATE CONNECTION



STEEL TUBE



SOIL PLATE H

GENERAL NOTES

See Standard 630001 for details of guardrail not shown.

Use plate washer F at all posts.

The bearing plate K shall be held in position by (2) two eight penny nails driven into the post and bent over the top of the plate.

All dimensions are in millimeters (inches) unless otherwise shown.

FILE NAME =	USER NAME = Spkrsqg	DESIGNED -	REVISED -	STATE OF ILLINOIS DEPARTMENT OF TRANSPORTATION	PRE-MGS HIGHWAY STANDARD 631011-02 TRAFFIC BARRIER TERMINAL TYPE 2 EFFECTIVE 4-1-06	F.A. RTE.	SECTION	COUNTY	TOTAL SHEETS	SHEET NO.
c:\pvt\work\pvt\dot\spkrsqg\ad0262291\0672E39-eh-207-631011-02_TrafBarTermType2.dgn	PLDT SCALE = 0:26.000 ms / in.	DRAWN -	REVISED -			VAR.	*	VAR	18	13
	PLDT DATE = Apr-01-2011 09:44:04AM	CHECKED -	REVISED -			SCALE:	SHEET NO. OF SHEETS	STA.	TO STA.	ILLINOIS FED. AID PROJECT
		DATE -	REVISED -							CONTRACT NO. 72E39