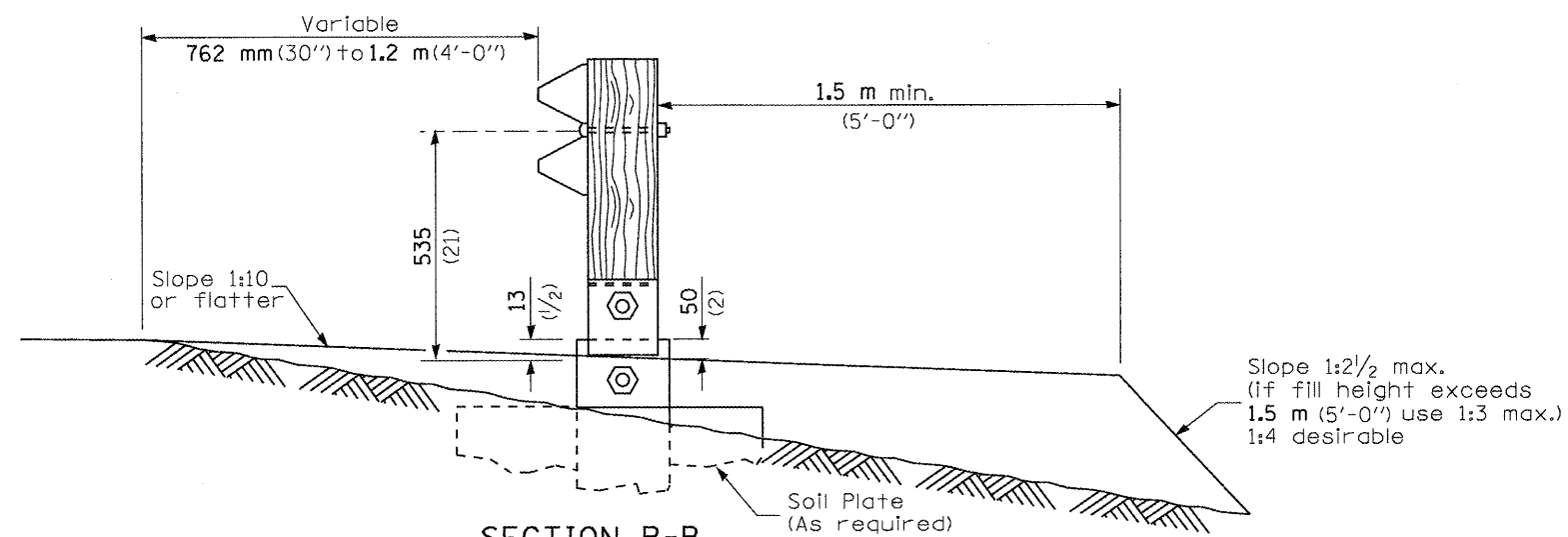


**SHOULDER WIDENING TRANSITION
FOR FLARED TERMINAL**



SECTION B-B
(End section omitted for clarity.)

FILE NAME =	USER NAME = Sparksgw	DESIGNED -	REVISED -	STATE OF ILLINOIS DEPARTMENT OF TRANSPORTATION	PRE-MGS HIGHWAY STANDARD 630301-03 SHOULDER WID. FOR TYPE 1 (SPL) GUARDRAIL TERMINAL EFFECTIVE 4-1-06			F.A. RTE.	SECTION	COUNTY	TOTAL SHEETS	SHEET NO.
ci:\pw_work\pwidot\sparksgw\10675E39-sht-207-630301-03_ShldWidenForType1Grd	DRAWN	REVISION	REVISION		VAR			18	12			
PLOT SCALE = 0:26.000 m / in.	CHECKED	REVISION	REVISION		(SHEET 2 OF 2)			CONTRACT NO. 72E39				
PLOT DATE = Apr-01-2011 09:43:58AM	DATE	REVISION	REVISION		SCALE:	SHEET NO.	OF SHEETS	STA.	TO STA.	ILLINOIS FED. AID PROJECT		

* D6 CABLE/GUARDRAIL REPAIR 2011