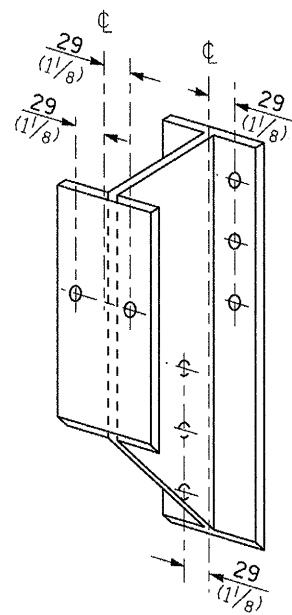
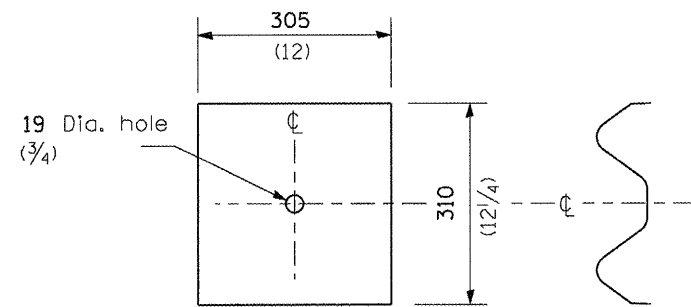


STEEL POST CONSTRUCTION



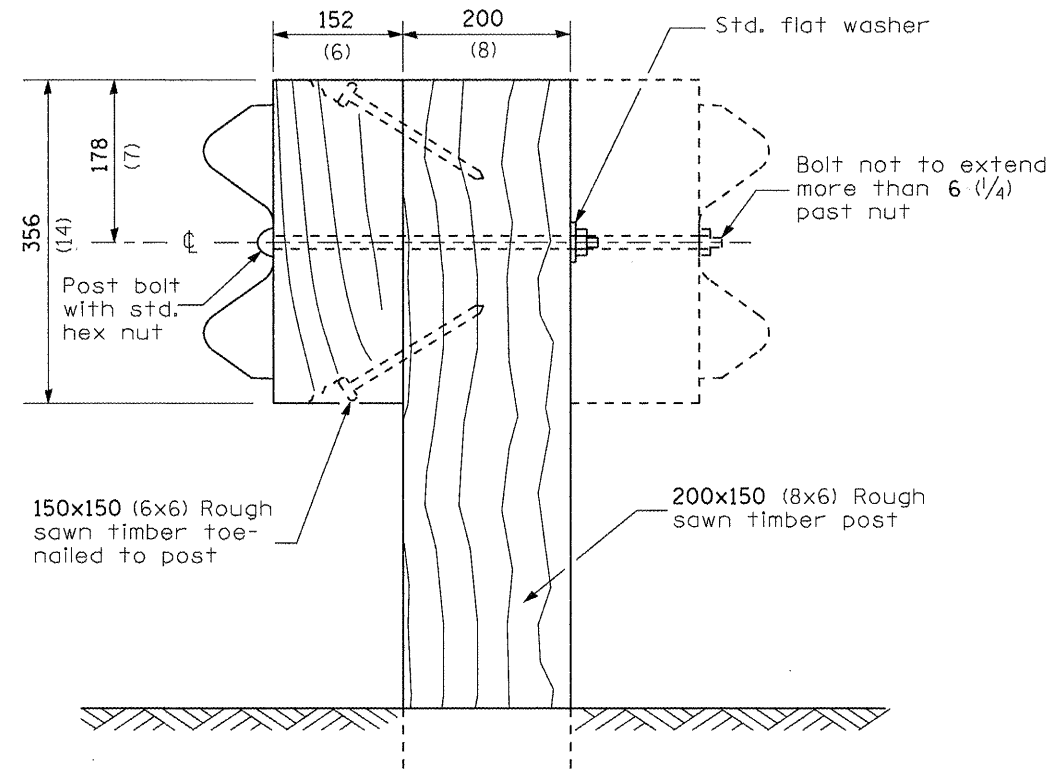
STEEL BLOCK-OUT DETAIL



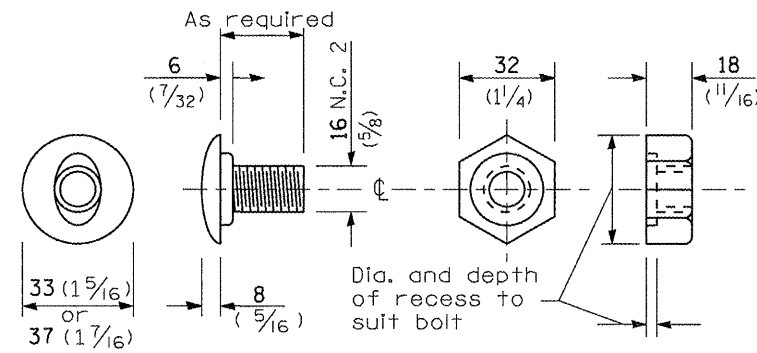
NOTE

Plate A shall be placed between rail element and block-out at non-splice mounting points only when steel block-outs are used.

PLATE A



WOOD POST CONSTRUCTION



POST OR SPLICE BOLT & NUT

FILE NAME :	USER NAME : Sparksgw	DESIGNED -	REVISED -	STATE OF ILLINOIS DEPARTMENT OF TRANSPORTATION	PRE-MGS HIGHWAY STANDARD 630001-06 STEEL PLATE BEAM GUARDRAIL EFFECTIVE 4-1-06 (SHEET 2 OF 4)	F.A. RTE.	SECTION	COUNTY	TOTAL SHEETS	SHEET NO.
c:\pv_work\pwwork\sparksgw\d026229\067239-ah-207-630001-06-SteelPlateBeamGuardrail.dwg	DRAWN -	REVISED -	VAR				VAR	18	8	
PLOT SCALE = 0:26.000 ms / in.	CHECKED -	REVISED -	CONTRACT NO. 72E39							
PLOT DATE = Apr-01-2011 09:43:52AM	DATE -	REVISED -	ILLINOIS FED. AID PROJECT							
					SCALE:	SHEET NO.	OF SHEETS	STA.	TO STA.	ILLINOIS FED. AID PROJECT