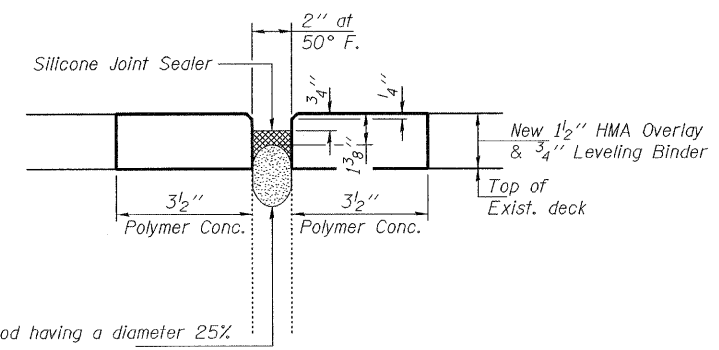


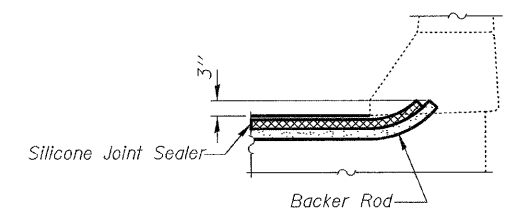
PLAN

Hatched areas indicate Deck Slab Repair (Partial)
Areas of deck repair are estimated. Actual locations shall be shown by the Engineer for As Built Plans.

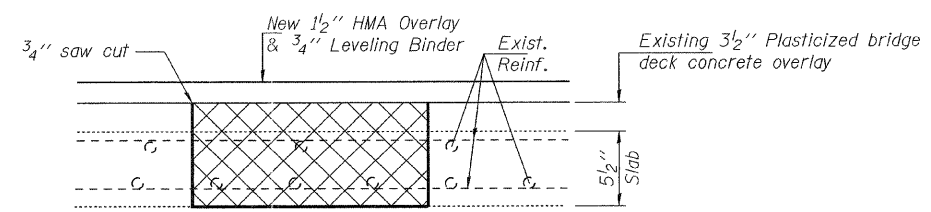


Backer Rod having a diameter 25% greater than the joint opening at the time of installation.

SECTION THRU JOINT



TYPICAL END OF SEAL TREATMENT



TYPICAL DECK REPAIR DETAIL

Cross hatched areas indicate Deck Slab Repair (Full Depth, Type II)

BILL OF MATERIAL

Item	Unit	Quantity
Deck Slab Repair (Partial)	Sq. Yd.	150
Deck Slab Repair (Full Depth, Type I)	Sq. Yd.	125
Protective Shield	Sq. Yd.	240
Polymerized Hot-Mix Asphalt Surface Course, Mix "D", N90	Ton	62
Silicone Joint Sealer, 2"	Foot	107
Polymer Concrete	Cu. Ft.	10.4
Polymerized Leveling Binder (Machine Method), N50	Ton	26

DESIGNED - <i>Victa Nely</i>	EXAMINED - <i>Joanne F. Jaffe</i>	DATE - JUNE 29, 2011
CHECKED - <i>Daniel Bode</i>	PASSED - <i>ACTING ENGINEER OF STRUCTURAL SERVICES</i>	REVISED
DRAWN - <i>Kyle M. Steffen</i>	ACTING ENGINEER OF BRIDGES AND STRUCTURES	REVISED

**STATE OF ILLINOIS
DEPARTMENT OF TRANSPORTATION**

**DECK PATCHING DETAILS
SN 081-0016 (SB)**

SHEET NO. 2 OF 3 SHEETS

F.A.I. RTE.	SECTION	COUNTY	TOTAL SHEETS	SHEET NO.
80	(37-1BY-1, 81-1VB, 81-1HB-1M-1)	ROCK ISLAND	15	11
ILLINOIS FED. AID PROJECT			CONTRACT NO. 64H27	