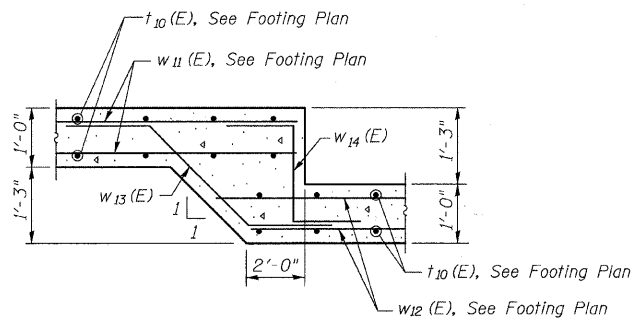
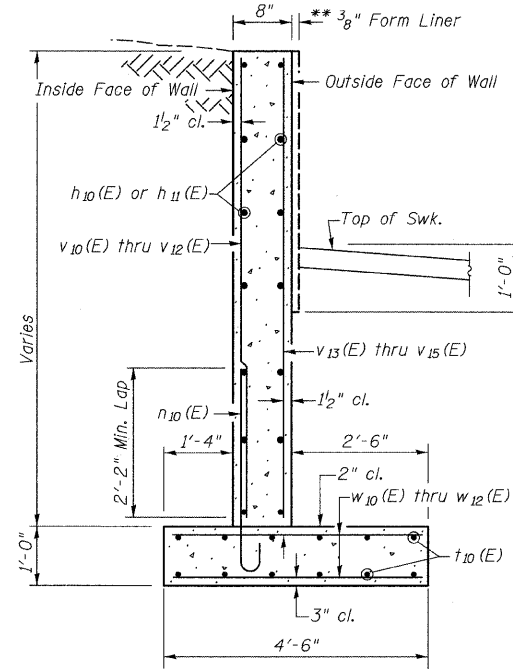


CONSTRUCTION JOINT DETAIL

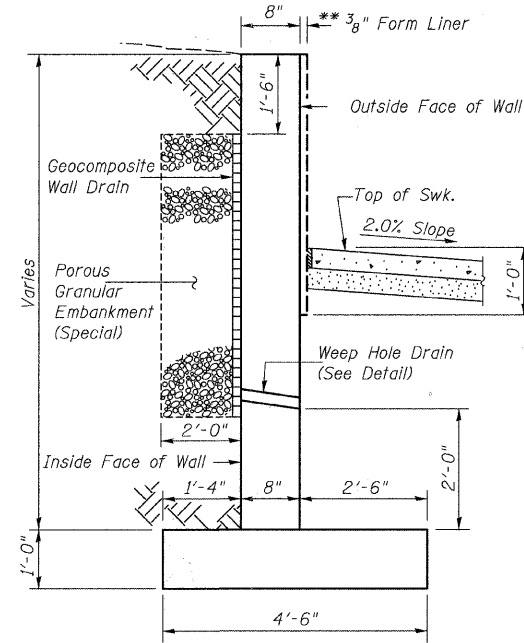


FOOTING STEP



**TYPICAL SECTION
(Showing Reinforcement)**

**An additional thickness of concrete, in addition to the wall thickness detailed, will be required for the form liner finish. The cost of this additional concrete is included in the cost of Form Liner Textured Surface (Special).



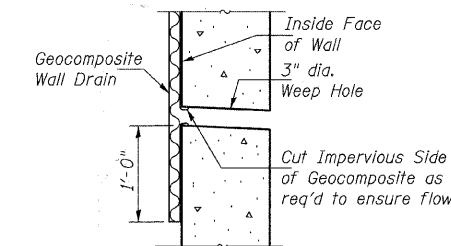
**TYPICAL SECTION
(Looking East)**

BILL OF MATERIAL

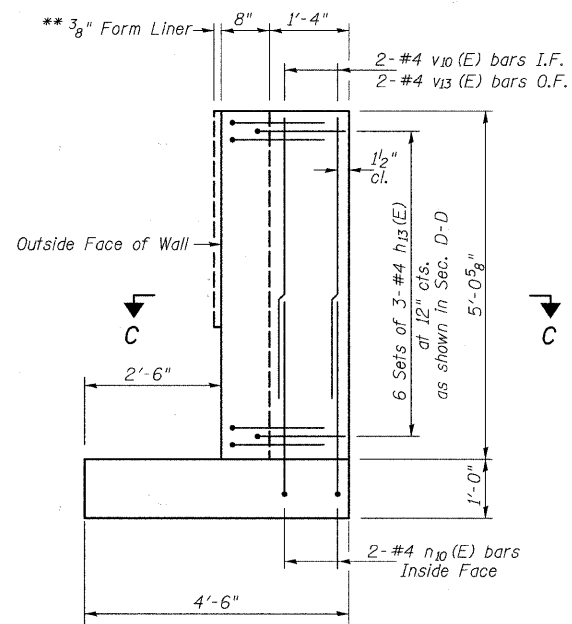
Bar	No.	Size	Length	Shape
h ₁₀ (E)	12	#4	34'-7"	
h ₁₁ (E)	28	#4	27'-3"	
h ₁₂ (E)	4	#4	26'-3"	
h ₁₃ (E)	39	#4	5'-6"	
n ₁₀ (E)	106	#4	4'-9"	
t ₁₀ (E)	204	#4	4'-3"	
v ₁₀ (E)	38	#4	3'-6"	
v ₁₁ (E)	35	#4	4'-9"	
v ₁₂ (E)	33	#4	5'-6"	
v ₁₃ (E)	21	#4	4'-4"	
v ₁₄ (E)	16	#4	5'-8"	
v ₁₅ (E)	14	#4	6'-11"	
w ₁₀ (E)	12	#4	34'-7"	
w ₁₁ (E)	12	#4	26'-3"	
w ₁₂ (E)	12	#4	28'-3"	
w ₁₃ (E)	6	#4	7'-5"	
w ₁₄ (E)	6	#4	6'-10"	
Structure Excavation		Cu. Yd.	203.0	
Concrete Structures		Cu. Yd.	28.2	
Reinforcement Bars, Epoxy Coated		Pound	3,200	
Protective Coat		Sq. Yd.	124	
Geocomposite Wall Drain		Sq. Yd.	33	
Porous Granular Embankment (Special)		Cu. Yd.	22	
Form Liner Textured Surface (Special)		Sq. Ft.	303	

* Apply Protective Coat to Inside Face, Outside Face and top of wall.

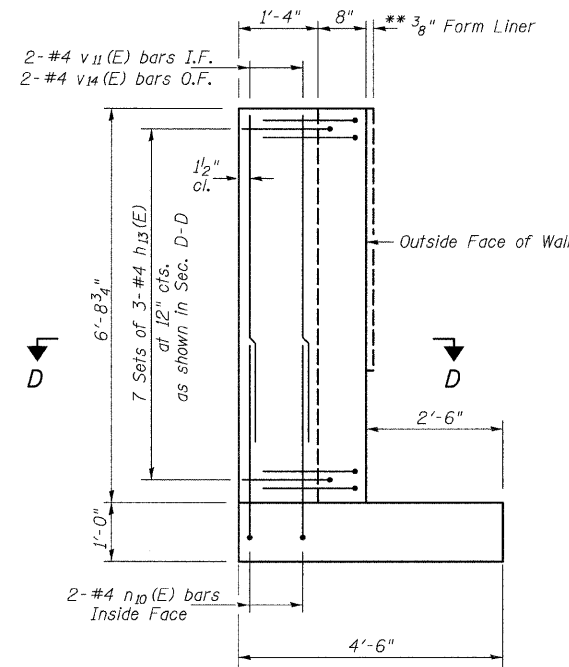
Notes:
Reinforcement bars designated (E) shall be epoxy coated.
Bars indicated thus 12x4-#5 etc. indicates 12 lines of bars with 4 lengths per line.
Max. Applied Bearing Pressure = 1.63 ksf



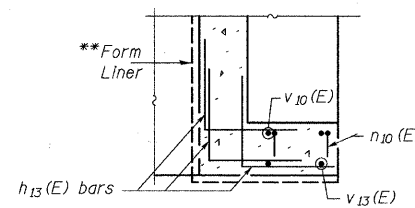
WEEP HOLE DRAIN DETAIL



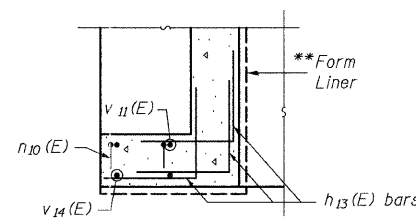
VIEW A-A



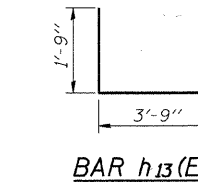
VIEW B-B



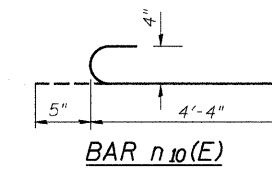
SECTION C-C



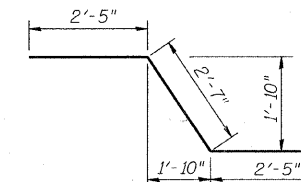
SECTION D-D



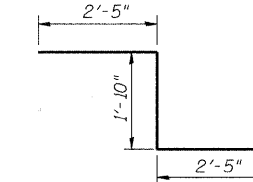
BAR h₁₃(E)



BAR n₁₀(E)



BAR w₁₃(E)



BAR w₁₄(E)

**RETAINING WALL DETAILS #2
C.H. 35 (55TH STREET)
SECTION 94-00302-00-FP
DU PAGE COUNTY
STA. 37+05.48 TO STA. 38+10.00**

DESIGNED	JOH
CHECKED	BAN
DRAWN	TAC
CHECKED	JOH

2791WALL2-03

HUTCHISON ENGINEERING, INC. Jacksonville & Shorewood, Illinois Date: 2011	SHEET NO. 3 3 SHEETS	F.A.U. RTE.	SECTION	COUNTY	TOTAL SHEETS	SHEET NO.	
		1504	94-00302-00-FP	DU PAGE	240	149	
				CONTRACT NO. 63609			
				ILLINOIS	FED. AID PROJECT		