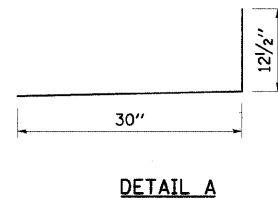
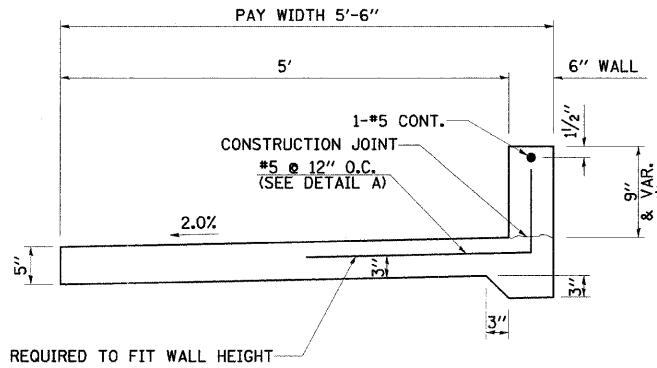


- \* 6" HEIGHT FROM STA. 25+61.07 (RT.) TO STA. 26+10.00 (RT.)
- 9" HEIGHT FROM STA. 35+77.98 (LT.) AROUND RADIUS TO STA. 200+85.69 (LT.) ON N. CASS AVE.
- 9" HEIGHT FROM STA. 36+85.92 (LT.) TO STA. 37+02.14 (LT.)
- 9" HEIGHT FROM STA. 38+45.00 (LT.) TO STA. 39+65.00 (LT.)
- 9" HEIGHT FROM STA. 49+84.61 (RT.) TO STA. 50+30.00 (RT.)

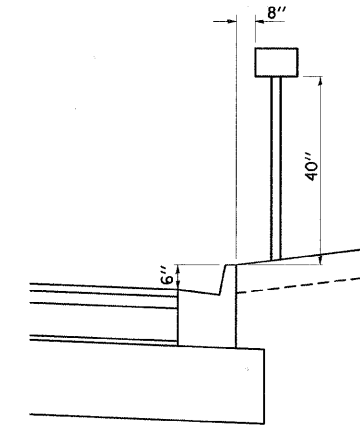


DETAIL A

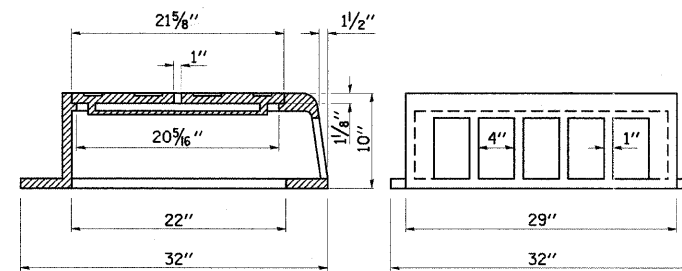


- NOTES:  
 TAPER WALL HEIGHT WITHIN A 5' TRANSITION.  
 PAY ITEM IS "PORTLAND CEMENT CONCRETE SIDEWALK, SPECIAL".

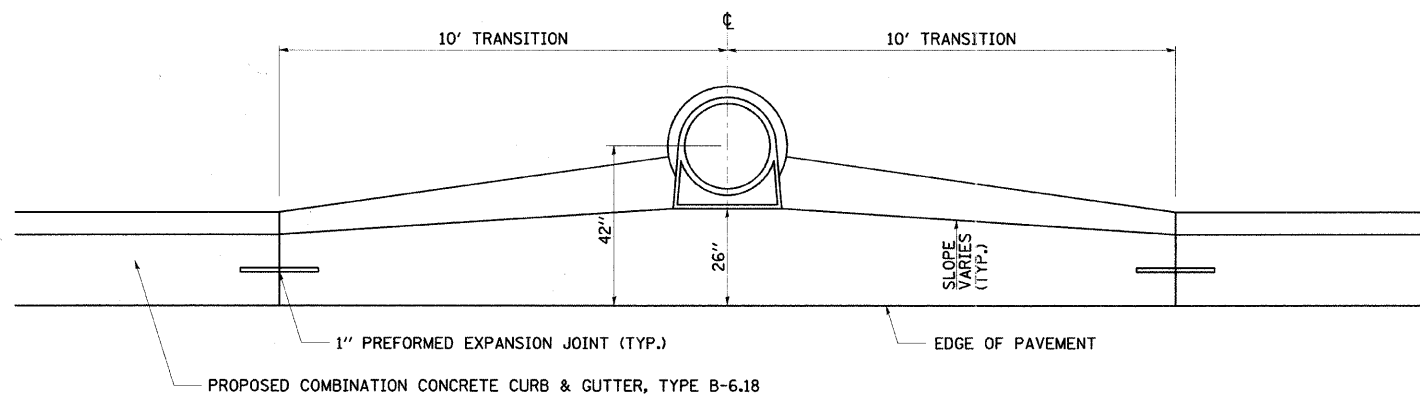
PORTLAND CEMENT CONCRETE SIDEWALK, SPECIAL  
 DETAIL



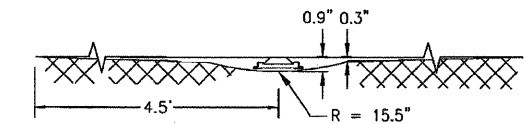
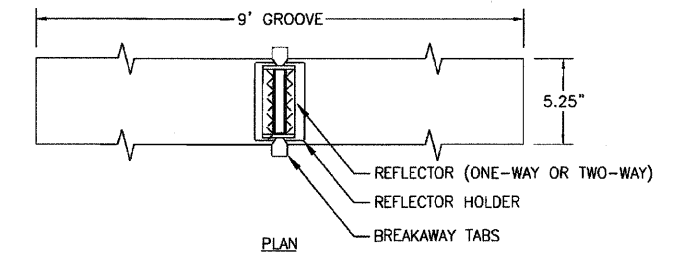
MAILBOX LAYOUT DETAIL



R-3305 CATCH BASIN FRAME AND LID  
 FOR BEHIND-THE-CURB CONSTRUCTION  
 HEAVY DUTY  
 TOTAL WEIGHT 425 LBS.



SAG FRAME & LID  
 SAG FRAME AND LID SHALL BE NEENAH FOUNDRY COMPANY #R-3305 OR APPROVED EQUAL.



ELEVATION

NOTES

1. SAW CUT TO DIMENSIONS SHOWN.
2. SAW CUT AREAS ARE TO BE DRY AND FREE OF MATERIAL THAT ADVERSELY AFFECTS THE ADHESIVE BOND.
3. INSTALL THE REFLECTOR WITH AN APPROVED TWO-COMPONENT EPOXY ADHESIVE. EPOXY SHOULD NOT OBSCURE OR BLOCK THE LENS.
4. REFLECTOR SHALL BE 3M SERIES 190 OR ENGINEER APPROVED EQUIVALENT.
5. THE REFLECTOR HOLDER SHALL BE A MARKERONE SERIES R100 REFLECTOR HOLDER OR ENGINEER APPROVED EQUIVALENT.
6. FOR 1-WAY MARKERS HEADING UPHILL, UPHILL GRIND TAPER MAY BE OMITTED.

RECESSED REFLECTIVE PAVEMENT MARKER DETAIL

FILE NAME =  
 W:\2791\2791\007.dgn

USER NAME = bdecaene  
 PLOT SCALE = 10.0000' / IN.  
 PLOT DATE = 5/25/2011

DESIGNED -  
 DRAWN -  
 CHECKED -  
 DATE -

REVISED -  
 REVISED -  
 REVISED -  
 REVISED -

STATE OF ILLINOIS  
 DEPARTMENT OF TRANSPORTATION

C.H. 35 (55TH ST.) CONSTRUCTION DETAILS

SCALE: N/A SHEET NO. 3 OF 4 SHEETS STA. N/A TO STA. N/A

F.A.U. RTE.	SECTION	COUNTY	TOTAL SHEETS	SHEET NO.
1504	94-00302-00-FP	DU PAGE	240	142
CONTRACT NO. 63609				
[ILLINOIS] FED. AID PROJECT				