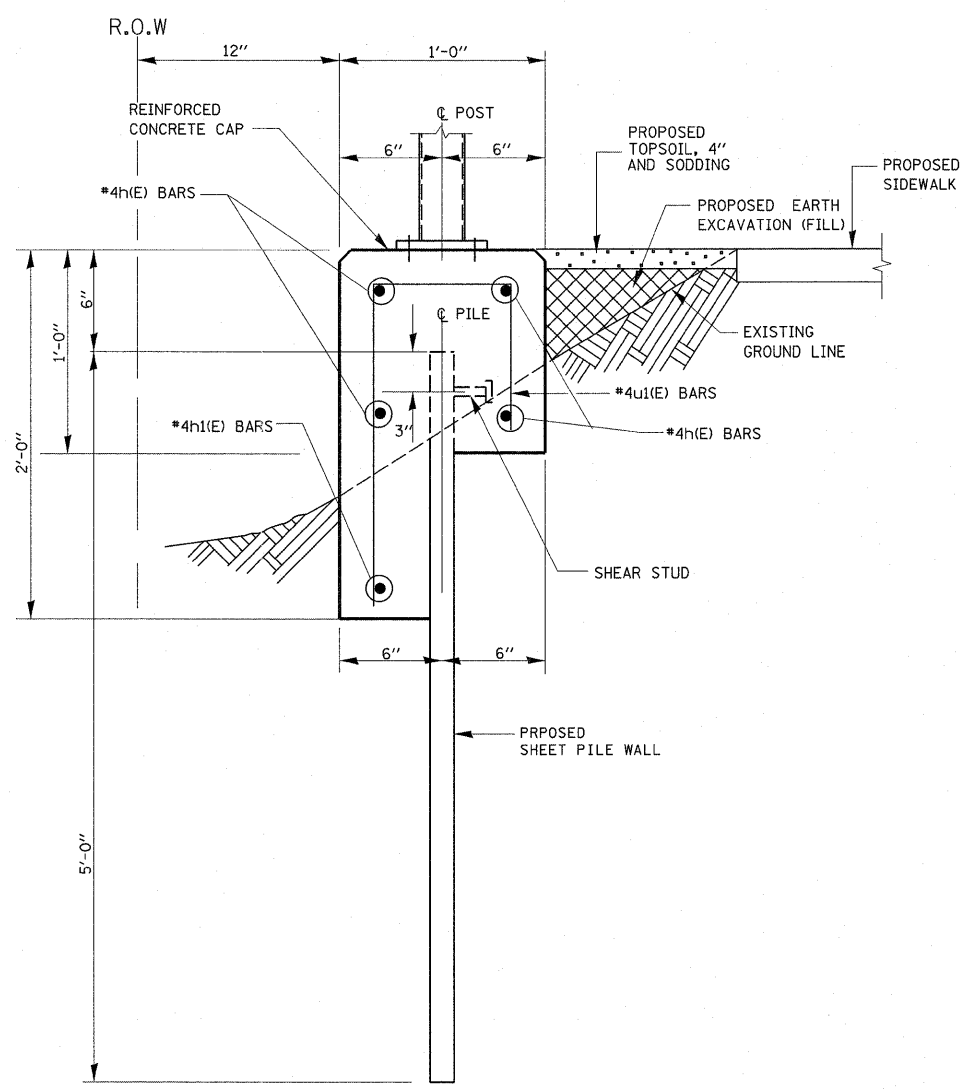


SECTION A-A



SECTION B-B

TOTAL BILL OF MATERIALS

BAR	NO.	SIZE	LENGTH	SHAPE
h(E)	24	#4	25'-0"	—
h1(E)	1	#4	39'-9"	—
u(E)	66	#4	2'-3"	□
u1(E)	26	#4	2'-9"	□
REINFORCEMENT BARS, EPOXY COATED			POUND	570
CONCRETE STRUCTURES			CU. YDS.	5.8
PERMANENT STEEL SHEET PILING			SQ. FT.	700
STUD SHEAR CONNECTORS			EACH	85
BICYCLE RAILING SPECIAL			FOOT	140
STRUCTURE EXCAVATION			CU. YDS.	3.8

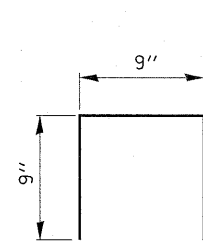
REINFORCEMENT BARS DESIGNATED (E) SHALL BE EPOXY COATED.

BARS INDICATED 2x6-#4h(E) BARS INDICATES 2 LINES OF BARS WITH 6 LENGTHS PER LINE

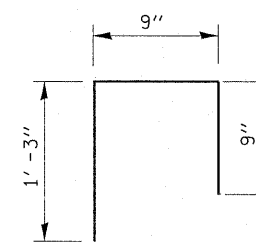
MINIMUM SECTION MODULUS $S_{x_{mm}} = 1.9 \text{ IN}^3/\text{FT.}$

BAR LAP TABLE

SIZE	LENGTH
#4	1' - 8"



BAR u(E)



BAR u1(E)