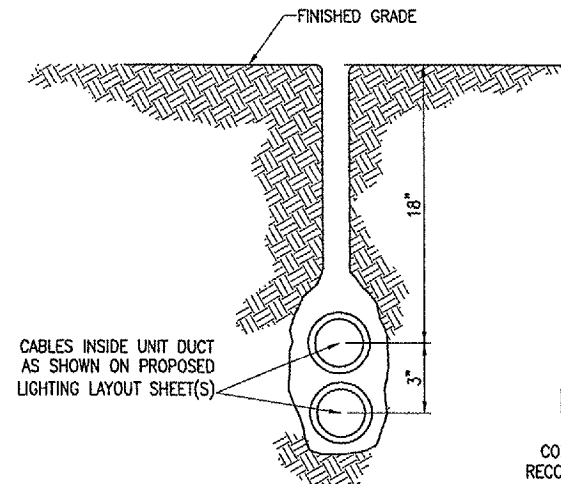


NOTES:
DETAIL NUMBERS INDICATE NO. OF CABLES.

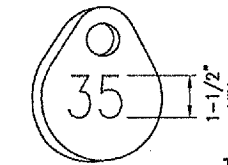
TRENCHES WITH MORE THAN SEVEN CABLES SHALL BE INCREASED 3" IN WIDTH FOR EACH ADDITIONAL CABLE; IF SPECIFIED ON PLANS TWO PARALLEL TRENCHES MAY BE CONSTRUCTED.

DEPTH OF TRENCHES SHALL BE AS SHOWN ABOVE UNLESS OTHERWISE SPECIFIED ON THE PLANS.

ALL DISTURBED SURFACES SHALL BE RESTORED TO THEIR ORIGINAL CONDITION. COST IS INCIDENTAL TO TRENCH.

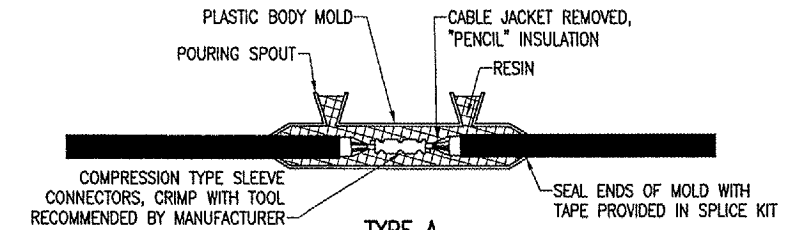


PLOWED CABLE
(NOT TO SCALE)



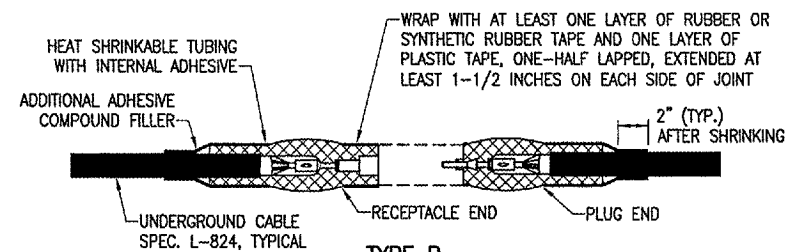
TAG DETAIL
(NOT TO SCALE)

NOTE:
AFFIX NON-CORROSIVE TAG TO FIXTURE FACING RUNWAY WITH SET SCREW, WIRE TIE, OR METAL BAND. NUMERALS SHALL BE ENGRAVED FOR PERMANENT READABILITY.



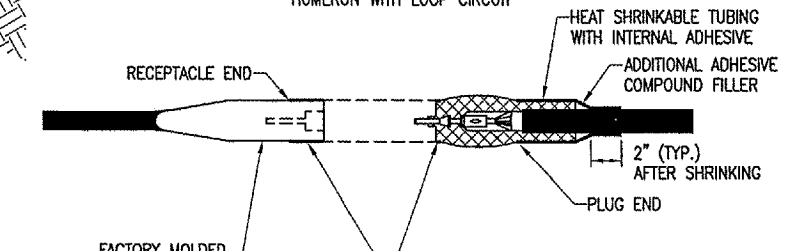
TYPE A

FOR SPLICES IN HOMERUNS FOR EXTENSIONS TO EXISTING CABLES ONLY



TYPE B

FOR SPLICES AT JUNCTION OF HOMERUN WITH LOOP CIRCUIT



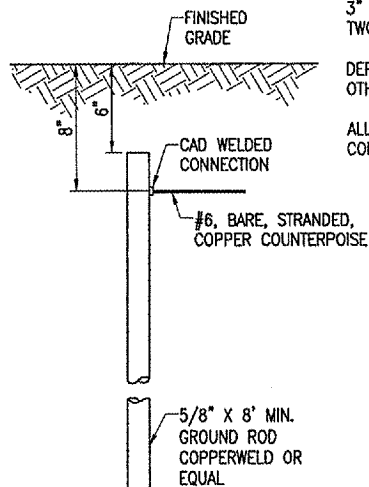
TYPE C

FOR SPLICES AT RUNWAY LIGHTS

NOTES:
SEE PROPOSED LIGHTING LAYOUT SHEET(S) FOR SPLICE TYPE.

INSIDE DIAMETER OF CONNECTOR SHALL PROPERLY MATCH THE OUTSIDE DIAMETER OF CABLE.

CABLE SPLICES
(NOT TO SCALE)



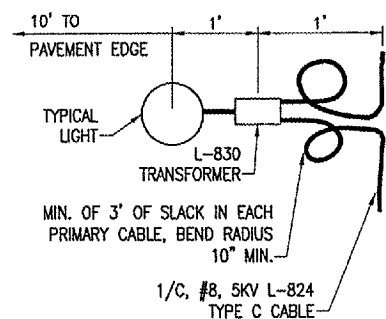
NOTES:
TYPE AND MINIMUM NUMBER OF GROUND RODS SHALL BE AS SPECIFIED ON THE PLAN.

THE RESISTANCE TO GROUND OF THE COUNTERPOISE GROUNDING SYSTEM SHALL NOT EXCEED 25 OHMS.

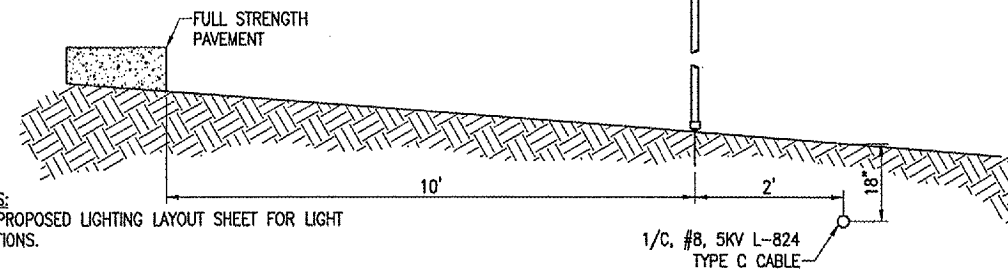
COST OF GROUND RODS IS INCIDENTAL TO THE ASSOCIATED ITEMS REQUIRING GROUNDING UNLESS OTHERWISE SPECIFIED.

GROUND ROD
(NOT TO SCALE)

CABLE TRENCHES
(NOT TO SCALE)



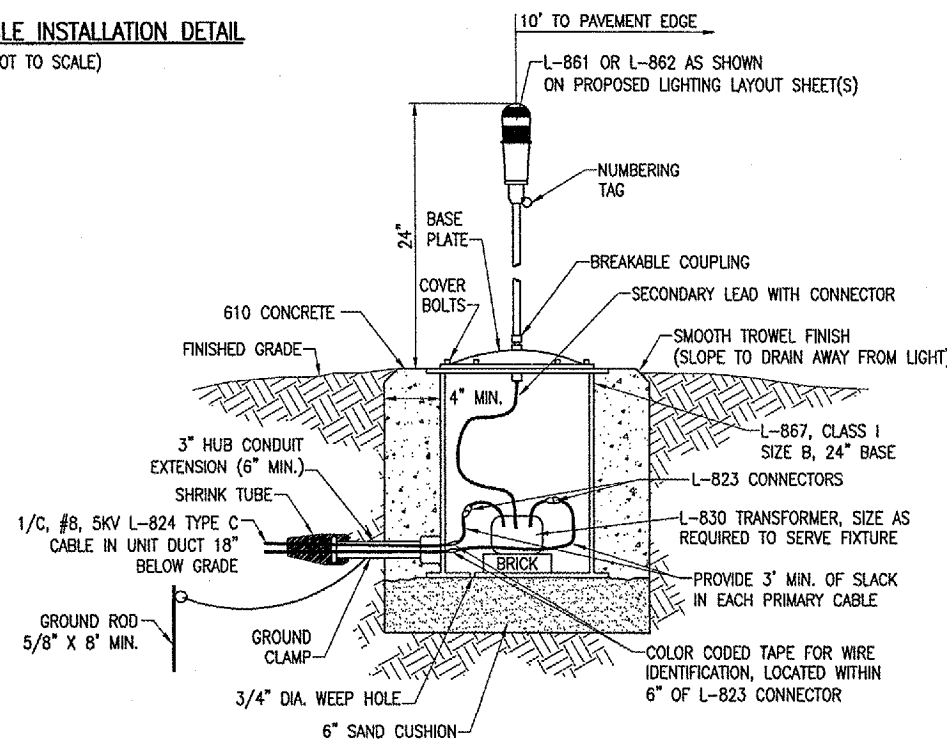
PLAN VIEW



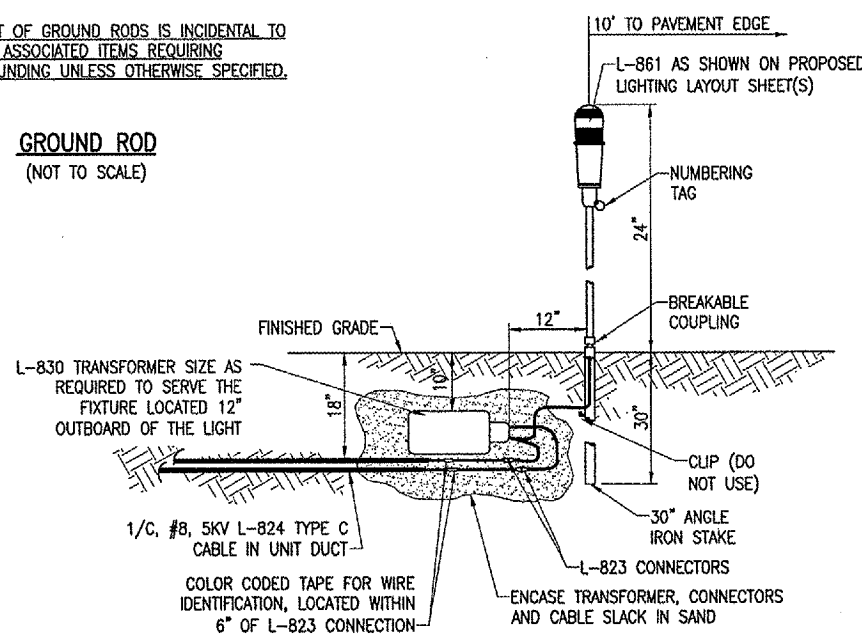
NOTES:
SEE PROPOSED LIGHTING LAYOUT SHEET FOR LIGHT LOCATIONS.

LIGHT AND CABLE INSTALLATION DETAIL
(NOT TO SCALE)

PROFILE VIEW



MEDIUM/HIGH INTENSITY LIGHT - BASE MOUNTED
(NOT TO SCALE)



MEDIUM INTENSITY LIGHT - STAKE MOUNTED
(NOT TO SCALE)

BY	
REVISION	
DATE	

SAINT LOUIS DOWNTOWN AIRPORT
A Division of Missouri State Development Agency



845-055GND_0800	06/16/05
R-541ELE.DWG	06/16/05
NOT TO SCALE	06/16/05
06/16/05	06/16/05
LAYOUT	C.A.H.
DRAWN	B.A.K.
REVIEWED	C.A.H.

HANSON
Hanson Professional Services, Inc.
4227 Earth City Expressway, Suite 130
St. Louis, MO 63045-1308
Offices Nationwide

TAXI GUIDANCE SIGN IMPROVEMENTS
ELECTRICAL DETAILS

JUN 30, 2005 11:52 AM BAK \\AIRPORTS\ST. LOUIS DOWNTOWN\845055GND\AIRPORT\SHETS\845ELE.DWG - Layout2