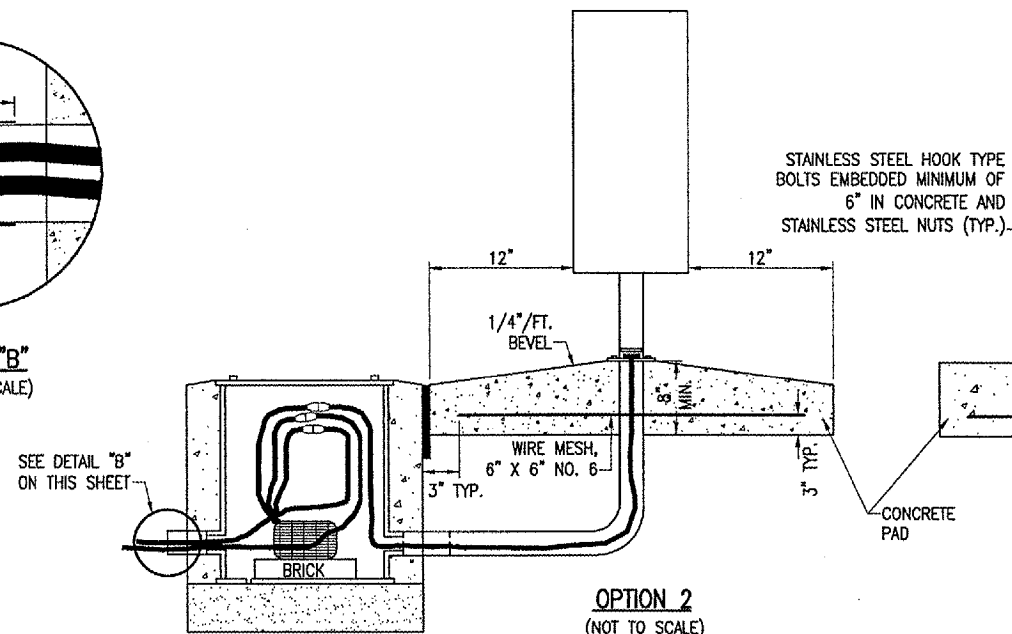
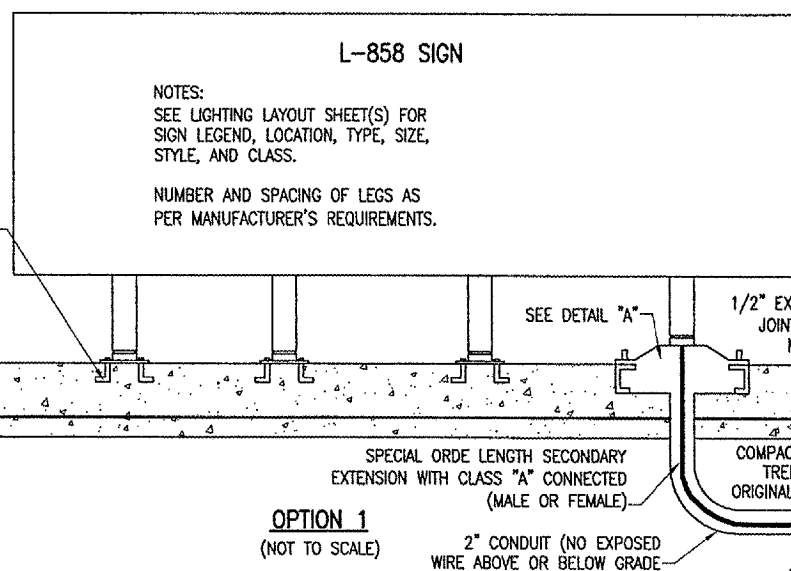


DETAIL "B"
(NOT TO SCALE)



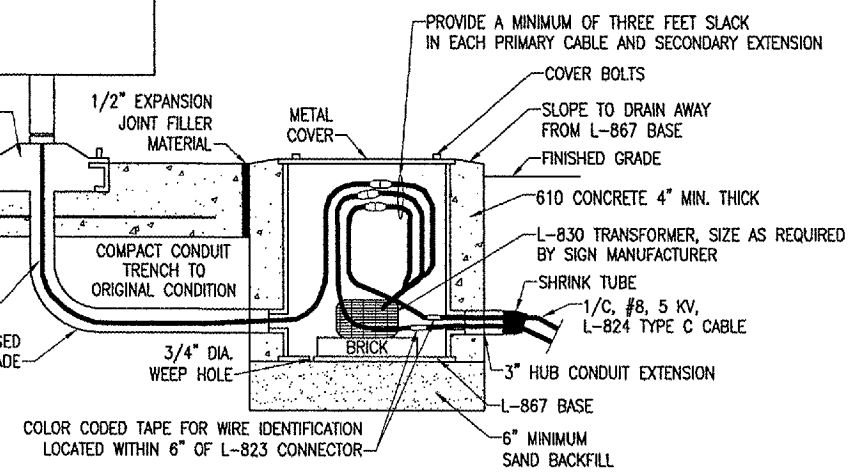
OPTION 2
(NOT TO SCALE)



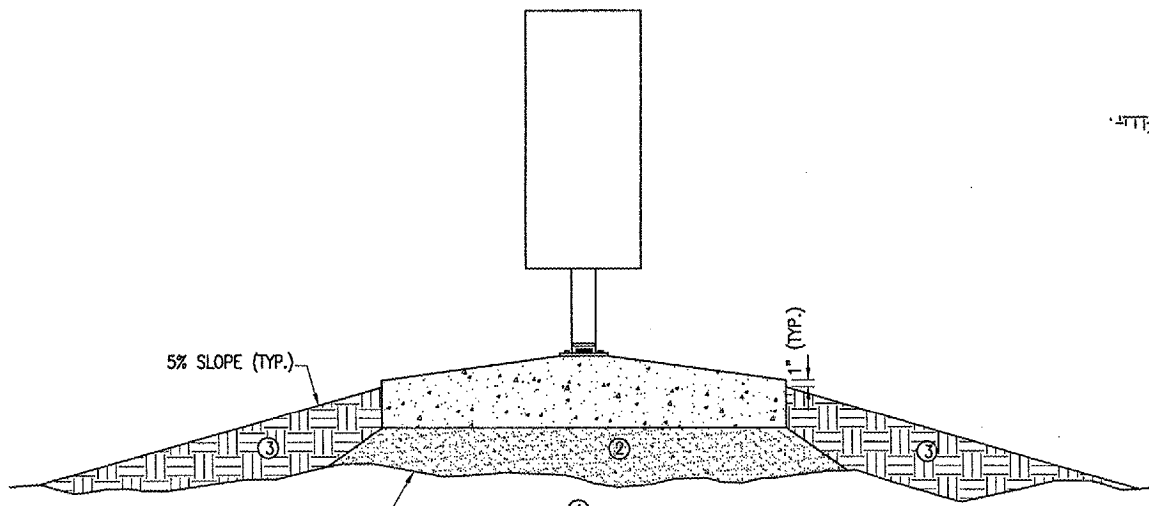
OPTION 1
(NOT TO SCALE)

THE LOCATION OF UNDERGROUND UTILITIES AS INDICATED ON THE PLANS HAS BEEN OBTAINED FROM EXISTING RECORDS. NEITHER THE OWNER NOR THE ENGINEER ASSUMES ANY RESPONSIBILITY WHATSOEVER, IN RESPECT TO THE ACCURACY OR SUFFICIENCY OF THE INFORMATION AND THERE IS NO GUARANTEE, EITHER EXPRESSED OR IMPLIED, THAT THE CONDITIONS ARE REPRESENTATIVE OF THOSE TO BE ENCOUNTERED IN THE CONSTRUCTION.

NOTES:
SEE LIGHTING LAYOUT SHEET(S) FOR SIGN LEGEND, LOCATION, TYPE, SIZE, STYLE, AND CLASS.
NUMBER AND SPACING OF LEGS AS PER MANUFACTURER'S REQUIREMENTS.

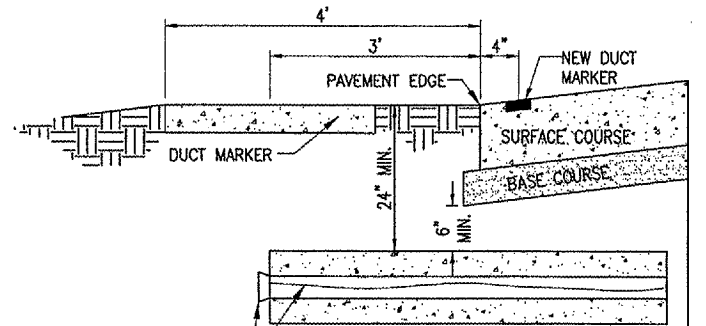


DETAIL "A"
(NOT TO SCALE)

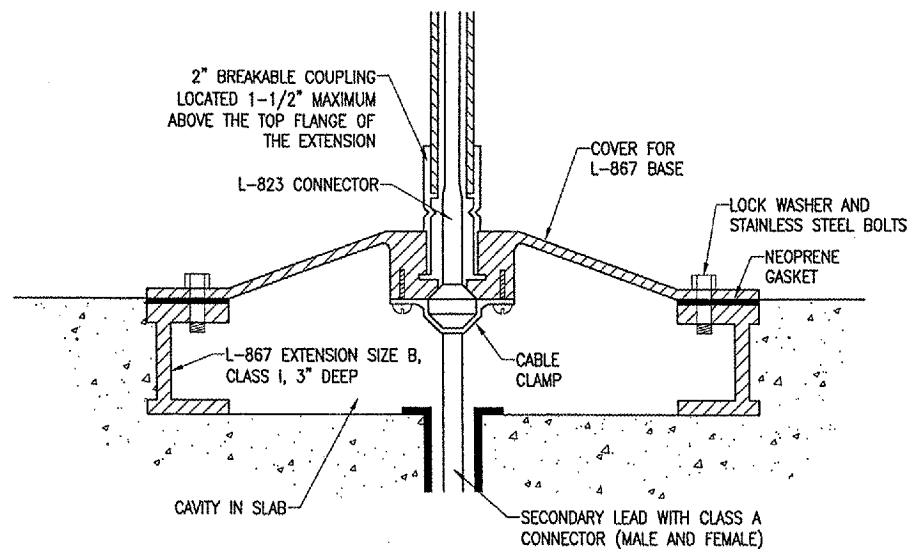


SIGN DETAIL
(NOT TO SCALE)

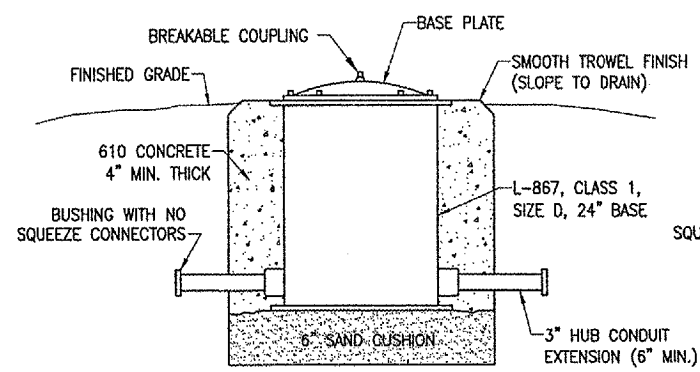
- ① EXISTING SOD TO BE STRIPPED AND REMOVED
- ② SAND BACKFILL, VARIABLE DEPTH
- ③ PROPOSED TOPSOIL BACKFILL MATERIAL



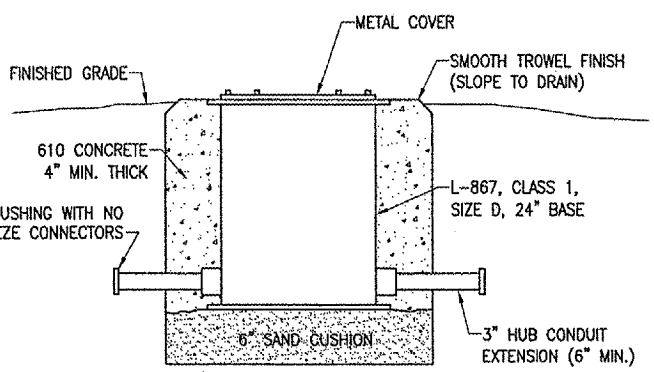
UNDERGROUND ELECTRICAL DUCT
(NOT TO SCALE)



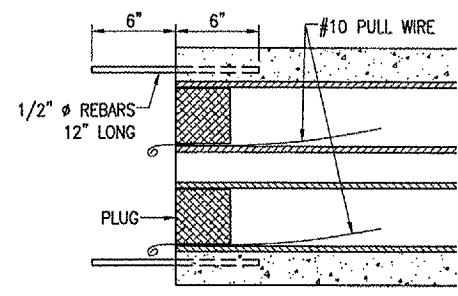
GENERAL NOTES
SEE LIGHTING LAYOUT SHEET FOR SIGN LEGEND, LOCATION, TYPE, SIZE, STYLE, AND CLASS.
SEE SHEETS 19 THROUGH 20 FOR ELECTRICAL NOTES.



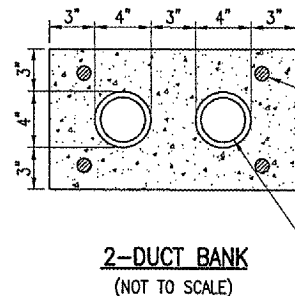
REIL BASE DETAIL
(NOT TO SCALE)



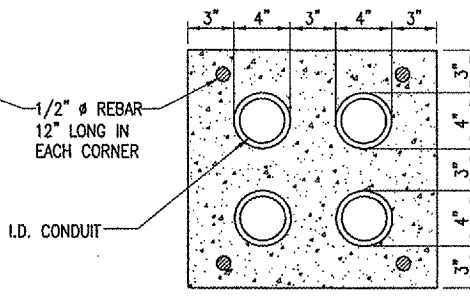
SPLICE CAN DETAIL
(NOT TO SCALE)



TYPICAL SECTION
(NOT TO SCALE)



2-DUCT BANK
(NOT TO SCALE)



4-DUCT BANK
(NOT TO SCALE)

JUN 30, 2005 11:51 AM BAK
I:\AIRPORTS\ST. LOUIS DOWNTOWN\AIRPORTSHEET\SR-541ELE.DWG - Layout1

REVISION	DATE	BY

SAINT LOUIS DOWNTOWN AIRPORT
A Division of Missouri State Development Agency
A.I.P. PROJ.: 3-17-0039-B16
I.L. PROJ.: 055-3480

HEI Project No. 845-055GND 0800	Scale	06/16/05
Drawn By R-541ELE.DWG	Scale	06/16/05
Reviewed By	Scale	06/16/05
Checked By	Scale	06/16/05
Approved By	Scale	06/16/05

HANSON
Hanson Professional Services Inc.
4227 Earth City Expressway, Suite 130
St. Louis, MO 63045-1308
Offices Nationwide

TAXI GUIDANCE SIGN IMPROVEMENTS
ELECTRICAL DETAILS