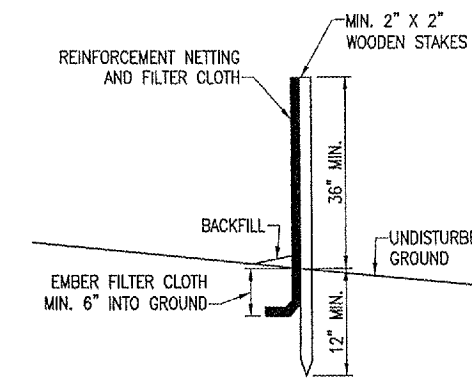
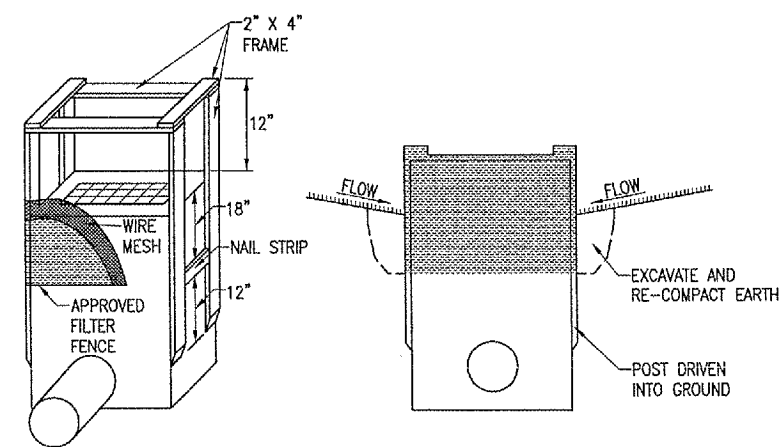


PERSPECTIVE VIEW

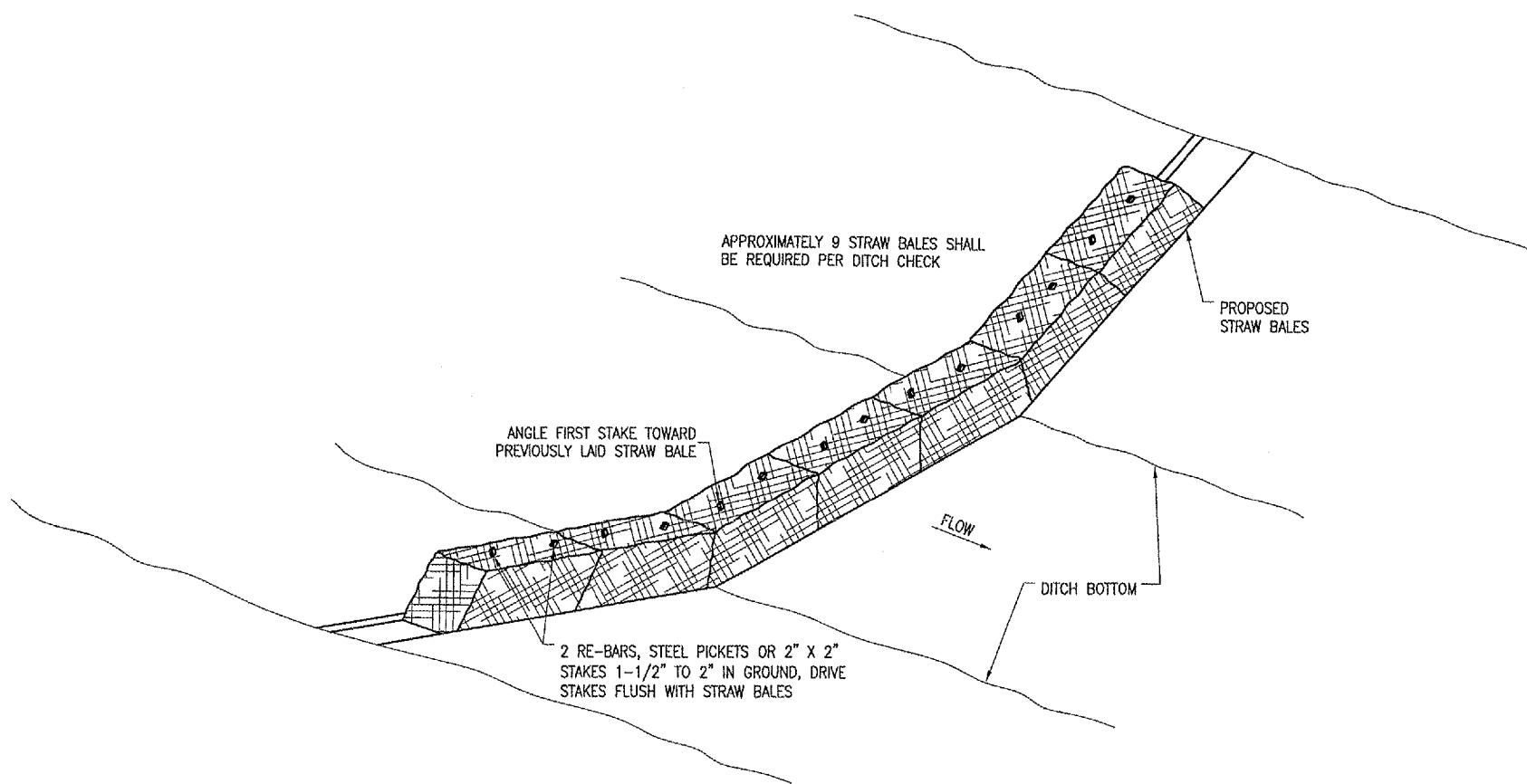


SECTION

FILTER FENCE DETAIL
"NOT TO SCALE"



INLET PROTECTION DETAIL
"NOT TO SCALE"



ANCHORING DETAIL

DITCH CHECK DETAIL
"NOT TO SCALE"

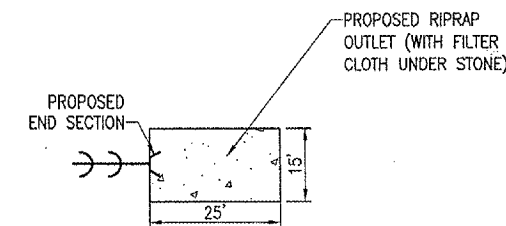
RIPRAP NOTES

THE PROPOSED RIPRAP WILL BE PLACED TO THE DIMENSIONS AS SHOWN ON THIS SHEET AND IN ACCORDANCE WITH THE SPECIAL PROVISIONS.

THE BED OF THE RIPRAP WILL BE 12" IN DEPTH AND SHALL BE TRIMMED AND SHAPED TO CONFORM WITH THE FINISHED GRADES.

INSTALLATION OF FILTER FABRIC WILL BE REQUIRED UNDER THE STONE RIPRAP. THE FILTER FABRIC MATERIAL WILL BE INCLUDED AS PART OF THE RIPRAP INSTALLATION AND NO ADDITIONAL COMPENSATION WILL BE ALLOWED.

THE RIPRAP WILL BE PAID FOR UNDER ITEM AR156540 RIPRAP _____ 42 S.Y.



RIPRAP DETAIL
"NOT TO SCALE"

REVISION	DATE	BY

LITCHFIELD MUNICIPAL AIRPORT
LITCHFIELD, ILLINOIS

IL PROJ.: 31F-2774

FILE PROJECT No. 814-05THGD	LAYOUT	JMB	03/28/05
FILENAME: R-581SWP.DWG	DRAWN	JMB	03/28/05
SCALE: NOT TO SCALE	REVIEWED	CAH	xx/xx/xx
DATE: 03/28/05			



Hanson Professional Services Inc.
1525 South Sixth Street
Springfield, Illinois 62703-2886
Offices Nationwide

T-HANGAR
SITE DEVELOPMENT
EROSION CONTROL
DETAILS