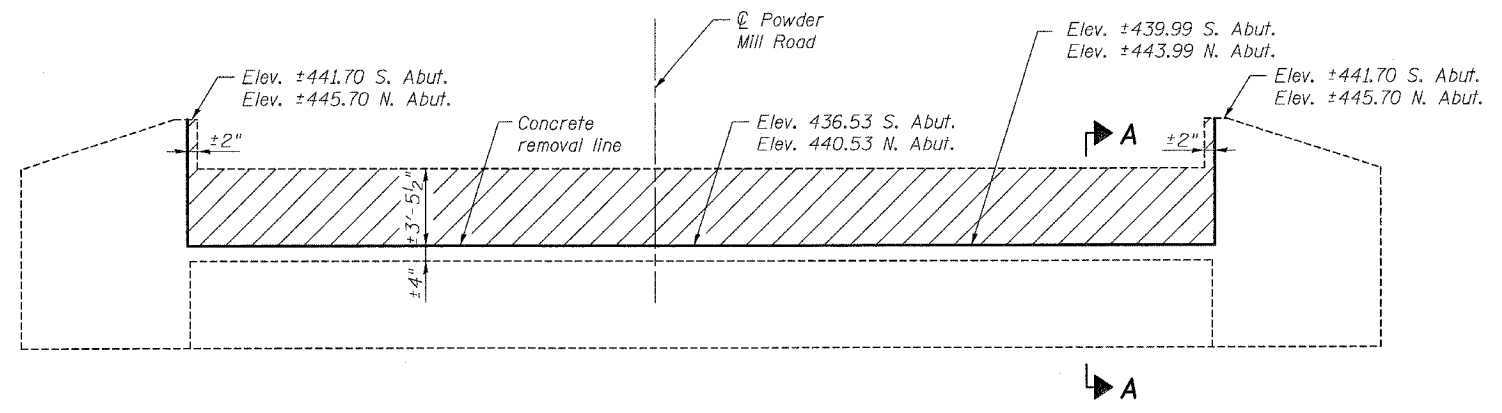
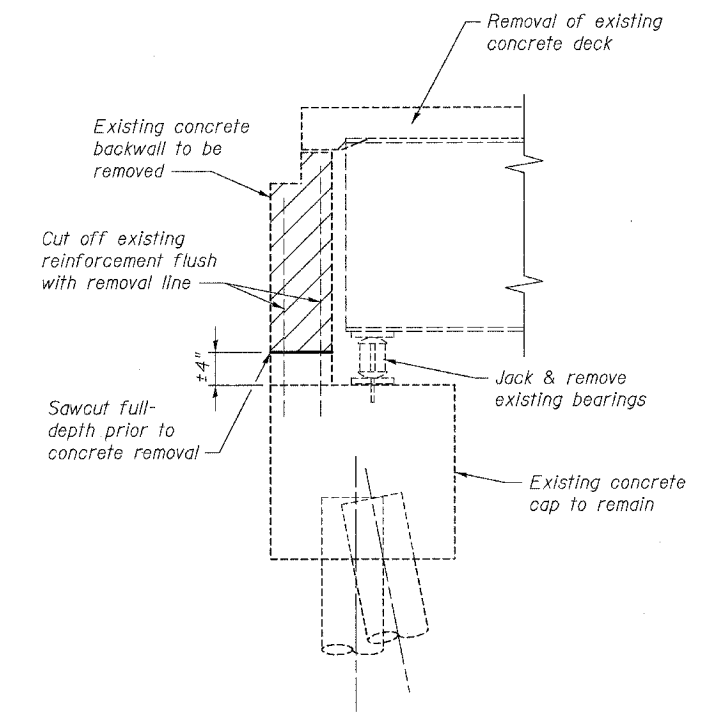


ABUTMENT PLAN
(South Abutment Shown,
North Abutment Opposite Hand)



ABUTMENT ELEVATION
(South Abutment Looking South Shown,
North Abutment Looking North Opposite Hand)



SECTION A-A

BILL OF MATERIAL
(2 Abutments)

Item	Unit	Quantity
Concrete Removal	Cu. Yd.	8.2

- Notes:
- ① Hatched areas indicate Concrete Removal.
 - ② Existing piles not shown in plan and elevation.
 - ③ Do not remove abutment backwall until wingwall tiebacks are in place. See Sheet 14 of 17 for wingwall tieback details.

**ABUTMENT CONCRETE REMOVAL
POWDER MILL ROAD OVER
EAST FORK OF WOOD RIVER
SECTION 03-00044-00-BR
VILLAGE OF EAST ALTON
STA. 13+10
STRUCTURE NO. 060-6400**