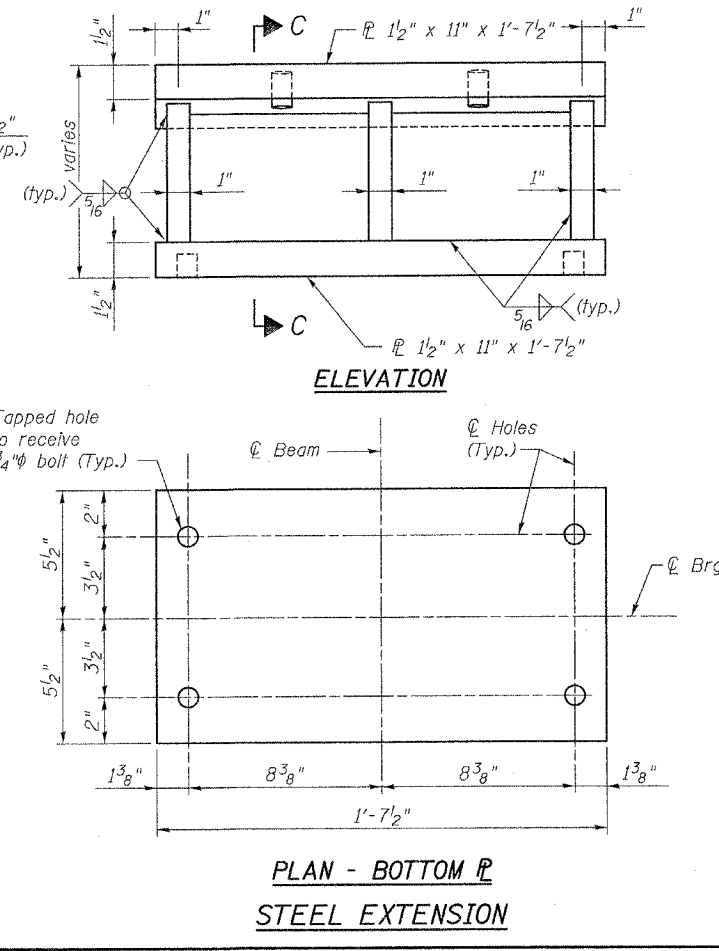
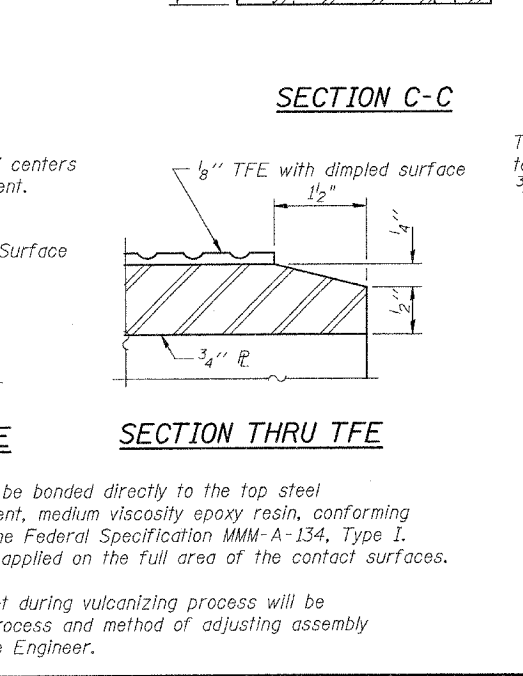
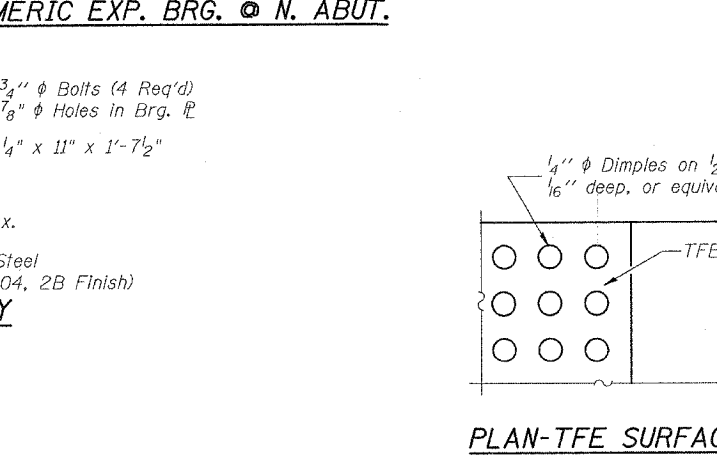
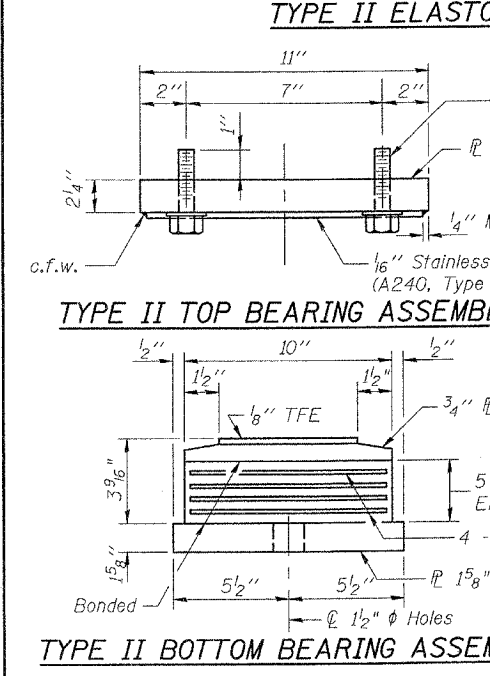


RISER HEIGHT TABLE (4)
North and South Abut. Replacement Bearings

Beam	S. Abut. (Type I)	N. Abut. (Type II)
1	±8 ⁵ / ₈ "	±6"
2	±9 ³ / ₄ "	±7 ⁷ / ₈ "
3	±10 ³ / ₈ "	±7 ³ / ₄ "
4	±10 ¹ / ₈ "	±7 ¹ / ₂ "
5	±9 ¹ / ₄ "	±6 ⁵ / ₈ "
6	±8 ⁵ / ₈ "	±6"

- Notes:
- Burn existing anchor bolts flush with existing concrete surface. Grind existing anchor bolt smooth and seal with epoxy. Cost is included with Jack and Remove Existing Bearings. See Special Provisions.
 - All extension plates shall be AASHTO M270, Grade 36 steel.
 - Weight of all steel extension plates, anchor bolts and side retainers is included with the Structural Steel.
 - Prior to ordering any material, the Contractor shall verify in the field all bearing height and shim thickness dimensions.
 - See sheet 16 of 17 for anchor bolt installation.
 - Remove existing bearing sole plates welded to existing beams using the air-arc method and grind smooth all weld material remaining on the bottom flange.
 - The minimum jack capacity is 13 ton for the weight of the beam only, and does not include the weight of deck.



BILL OF MATERIAL

Item	Unit	Total
Elastomeric Bearing Assembly Type I	Each	6
Elastomeric Bearing Assembly Type II	Each	6
Jack and Remove Existing Bearings	Each	12
Furnishing And Erecting Structural Steel	Pound	3570

BEARING DETAILS
POWDER MILL ROAD OVER EAST FORK OF WOOD RIVER SECTION 03-00044-00-BR VILLAGE OF EAST ALTON STA. 13+10 STRUCTURE NO. 060-6400