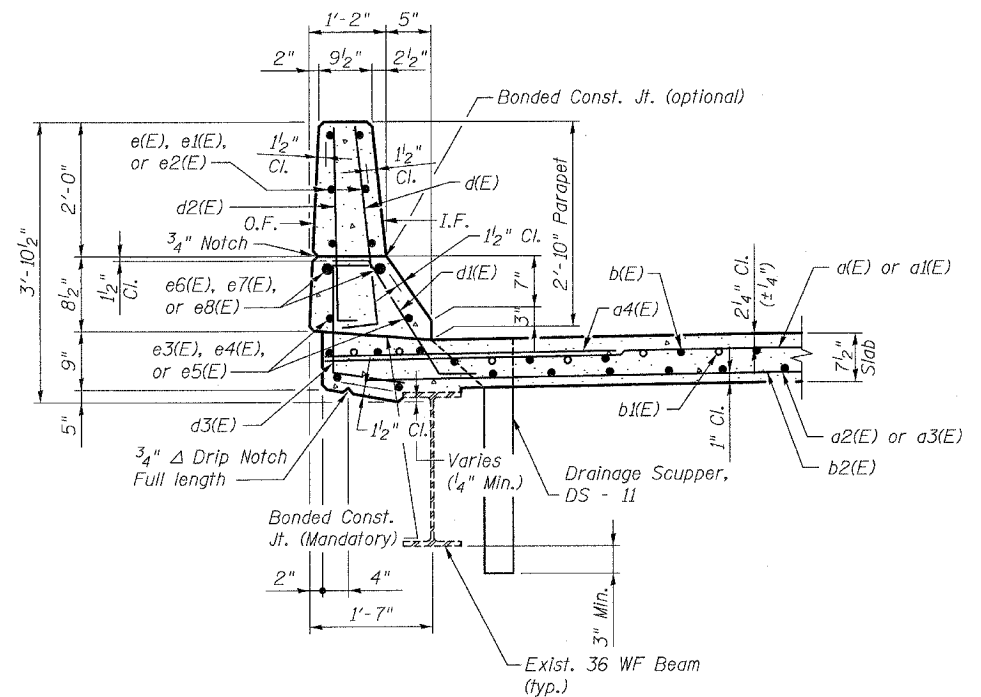


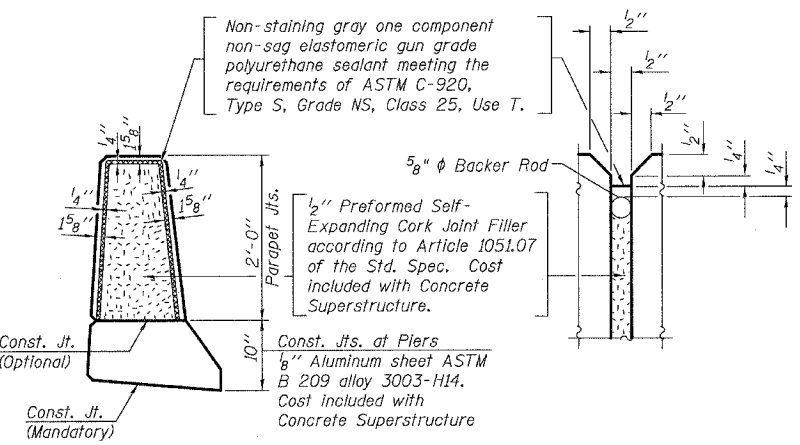
BILL OF MATERIAL

Bar	No.	Size	Length	Shape
a(E)	324	#5	15'-8"	—
a1(E)	324	#5	16'-8"	—
a2(E)	243	#5	15'-4"	—
a3(E)	243	#5	16'-4"	—
a4(E)	324	#6	4'-6"	—
a5(E)	64	#5	1'-6"	—
b(E)	216	#5	35'-0"	—
b1(E)	66	#6	39'-9"	—
b2(E)	203	#5	30'-3"	—
d(E)	446	#5	3'-0"	L
d1(E)	434	#5	2'-5"	L
d2(E)	446	#4	3'-0"	L
d3(E)	446	#4	2'-4"	L
d4(E)	12	#5	2'-2"	L
e(E)	72	#4	16'-10"	—
e1(E)	48	#4	10'-2"	—
e2(E)	36	#4	19'-5"	—
e3(E)	16	#5	26'-8"	—
e4(E)	16	#5	10'-2"	—
e5(E)	8	#5	30'-7"	—
e6(E)	16	#8	27'-10"	—
e7(E)	16	#8	10'-2"	—
e8(E)	8	#8	31'-9"	—
m(E)	16	#6	16'-7"	—
m1(E)	16	#6	15'-7"	—
m2(E)	16	#6	8'-2"	—
m3(E)	8	#6	5'-9"	—
m4(E)	16	#6	5'-8"	—
m5(E)	8	#6	1'-1"	—
m6(E)	4	#6	2'-2"	—
m7(E)	4	#6	3'-2"	—
s(E)	128	#5	8'-0"	—
s1(E)	68	#5	9'-3"	—
u(E)	68	#5	4'-9"	—
v(E)	64	#5	2'-11"	—
Reinforcement Bars, Epoxy Coated	Pound	51,830		
Concrete Superstructure (5)	Cu. Yd.	240.9		

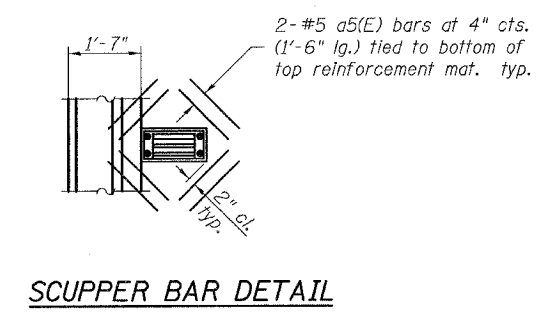
PARAPET INSIDE ELEVATION



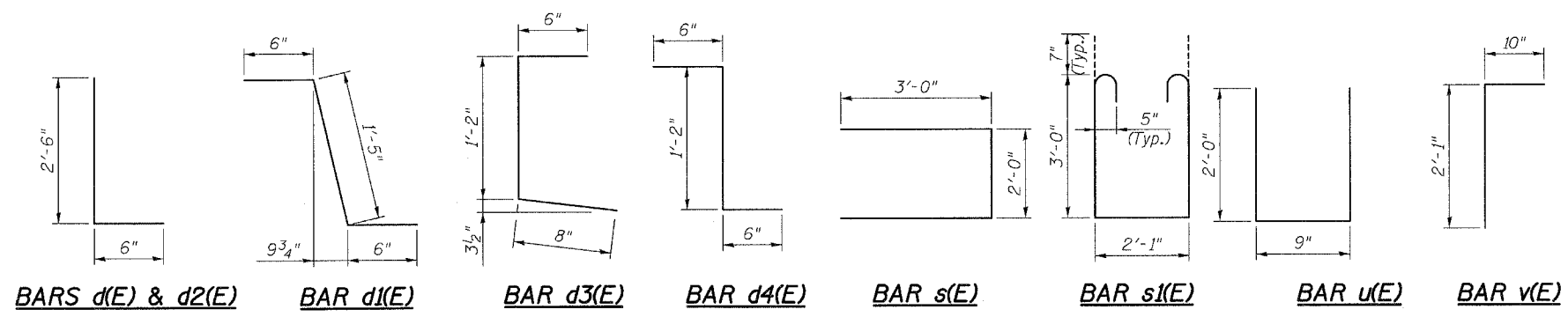
SECTION THRU PARAPET



PARAPET JOINT DETAIL



SCUPPER BAR DETAIL



- Notes:
- Reinforcement bars designated (E) shall be epoxy coated.
 - Minimum bar laps: #5 - 2'-2"
#8 - 4'-6"
 - E.F. denotes each face
I.F. denotes inside face
O.F. denotes outside face
 - Bars indicated thus 1x2-#8 etc. indicates 1 line of bars with 2 lengths per line.
 - Concrete Superstructure includes concrete in diaphragm

SUPERSTRUCTURE DETAILS
POWDER MILL ROAD OVER
EAST FORK OF WOOD RIVER
SECTION 03-00044-00-BR
VILLAGE OF EAST ALTON
STA. 13+10
STRUCTURE NO. 060-6400