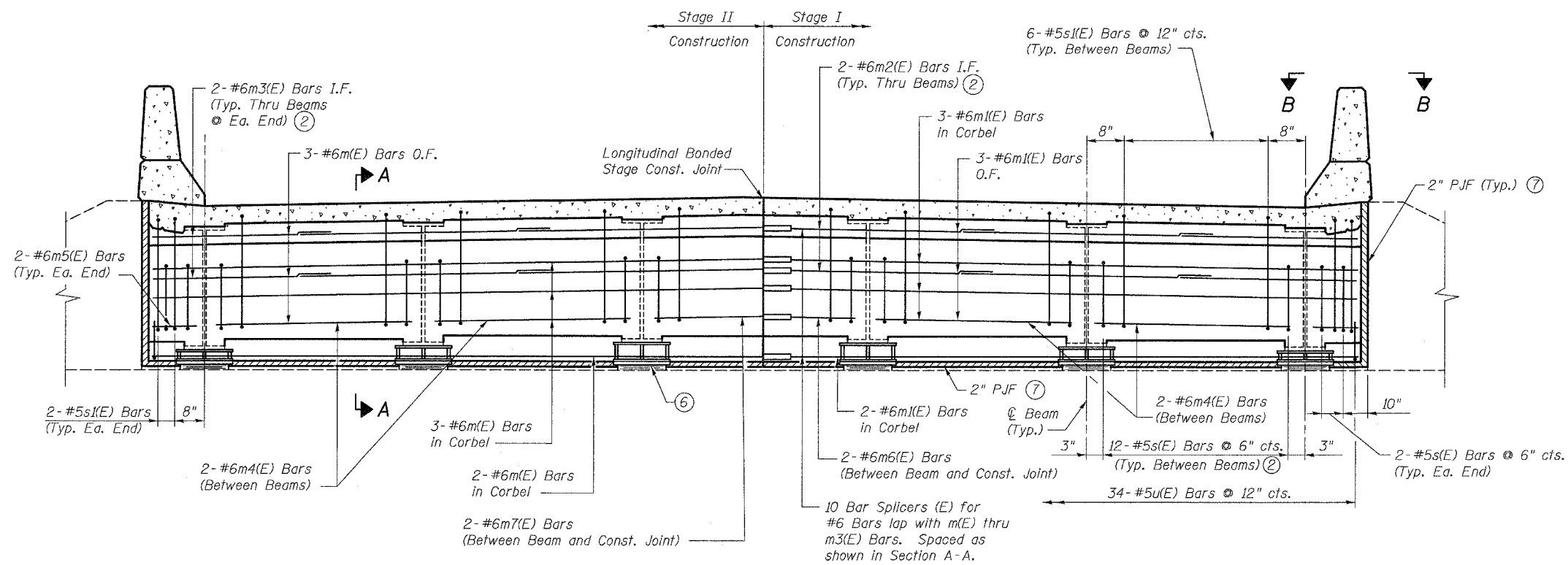
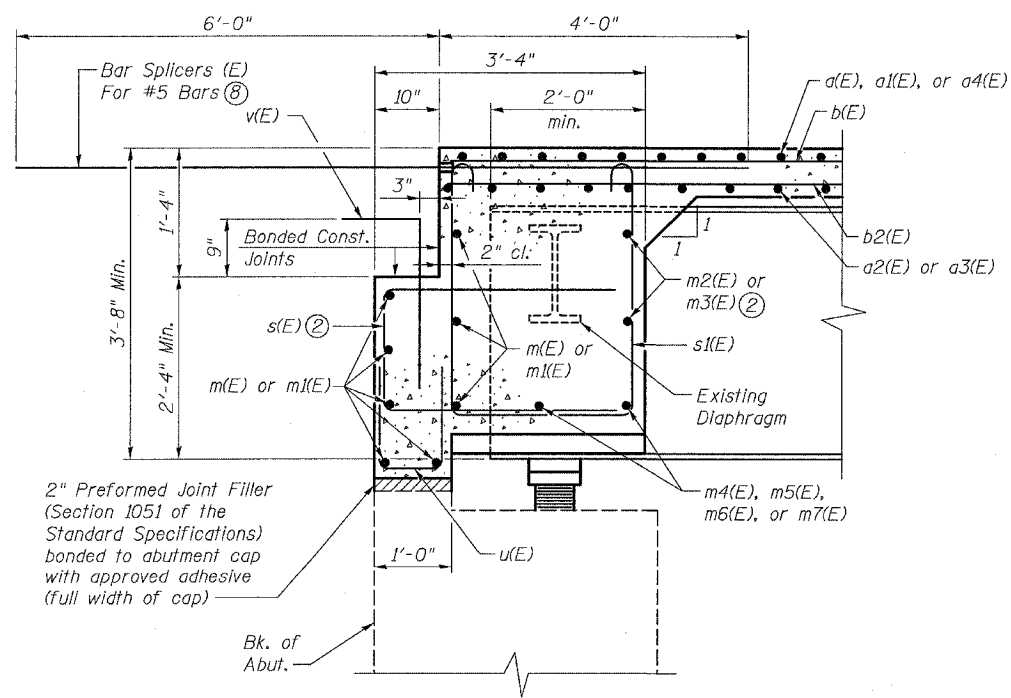


FAU ROUTE	SECTION	COUNTY	TOTAL SHEETS	SHEET NO.	SHEET NO. 8
9003	03-00044-00-BR	MADISON	24	15	17 SHEETS
STA.		TO STA.			
FED. ROAD DIST. NO. 7		ILLINOIS	FED. AID URBAN-		
CONTRACT NO. 97256					

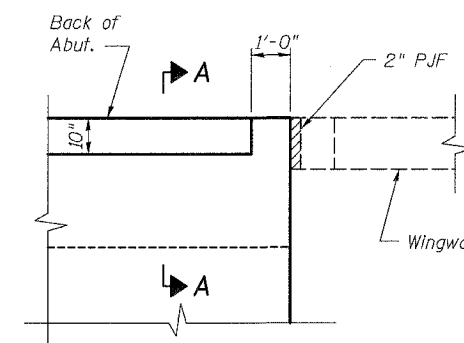


DIAPHRAGM ELEVATION

(South Diaphragm looking South shown, North Diaphragm looking North opposite hand)



SECTION A-A AT ABUTMENTS



SECTION B-B
(Parapet Not Shown)

- Notes:
- See sheet 9 of 17 for additional superstructure details, bar bending details, and bill of materials. Concrete in diaphragm is included with Concrete Superstructure.
 - Place s(E), m2(E) & m3(E) bars through drilled holes in steel beams and diaphragms. Provide 1" ϕ drilled holes except at beam No. 4, where 2" ϕ holes are required.
 - Cost to drill holes is included in the cost for Reinforcement Bars, Epoxy Coated.
 - Reinforcement bars designated (E) shall be epoxy coated.
 - I.F. denotes inside face. O.F. denotes outside face.
 - Side retainers not shown for clarity. See sheet 12 of 17 for bearing details.
 - Provide fabric reinforced elastomeric mat, 2" preformed joint filler and geocomposite wall drain behind 2" P.J.F. which separates the abutment diaphragm from the wingwall. See abutment backfill detail on sheet 2 of 17. Cost included with Porous Granular Embankment.
 - See sheet 15 of 17 for Bar Splicer Details.
 - Minimum bar lap: #6 bar = 2'-9"

SUPERSTRUCTURE DETAILS
POWDER MILL ROAD OVER
EAST FORK OF WOOD RIVER
SECTION 03-00044-00-BR
VILLAGE OF EAST ALTON
STA. 13+10
STRUCTURE NO. 060-6400