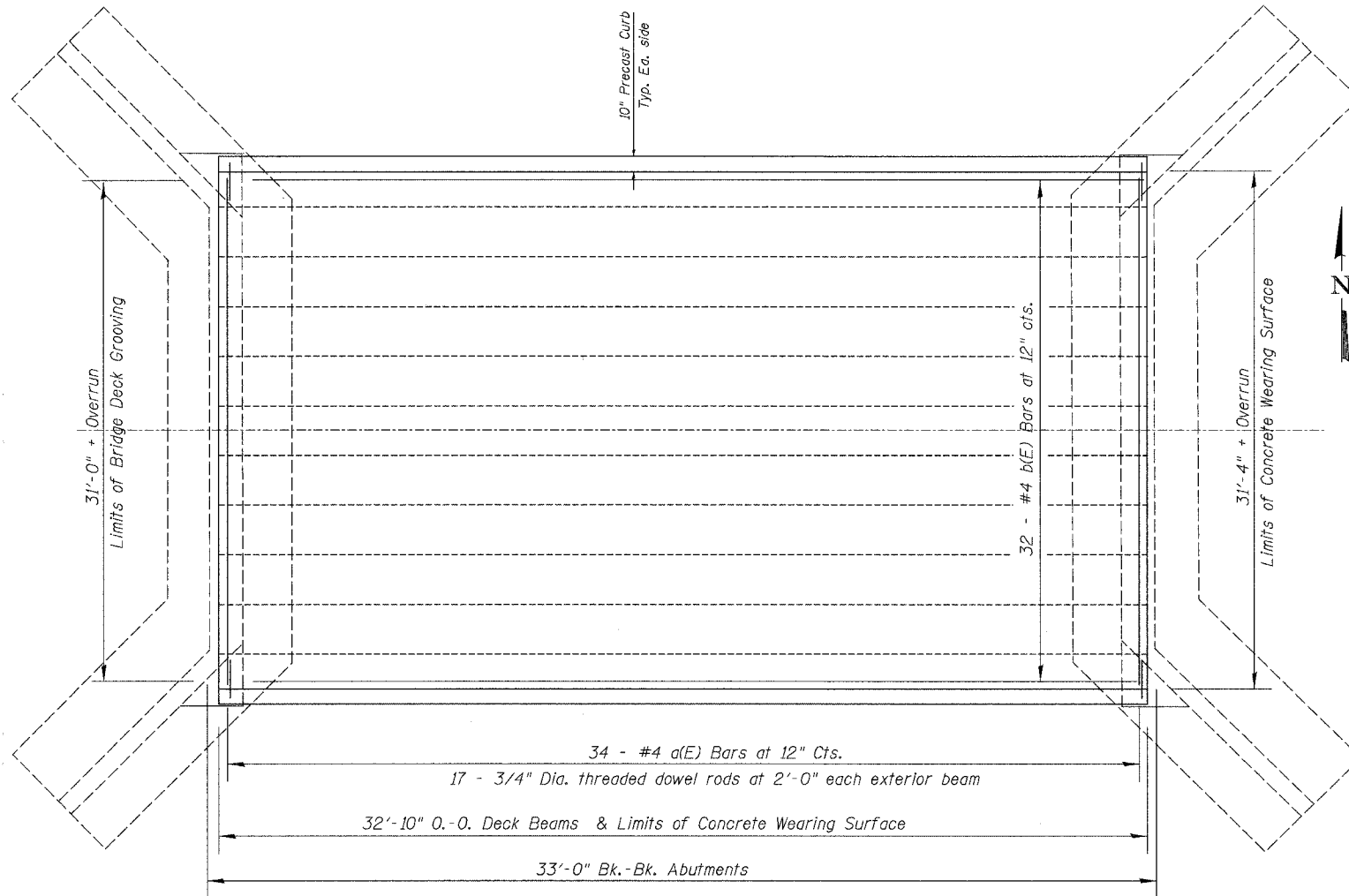


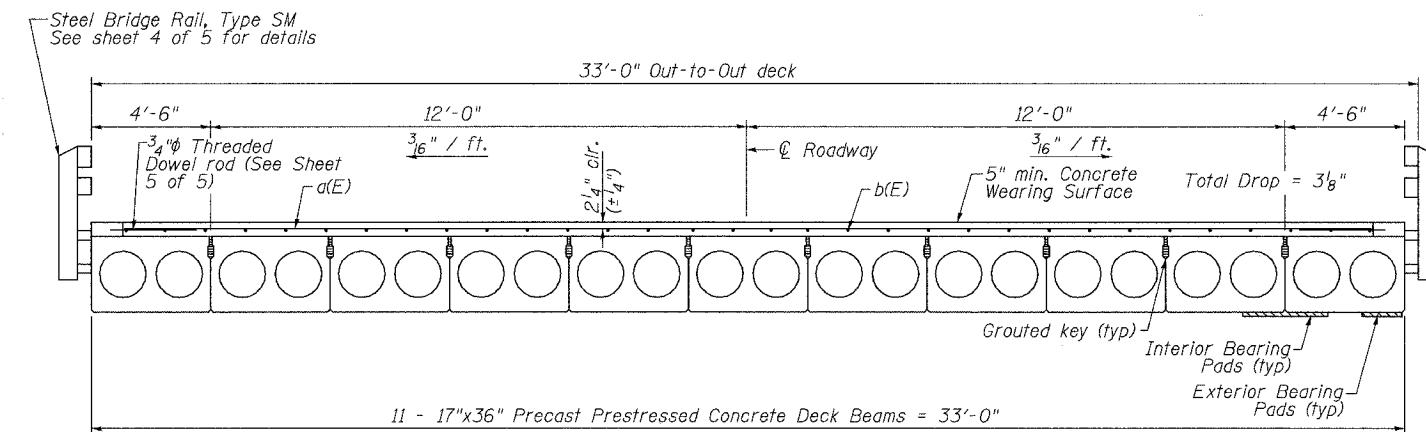
STATE OF ILLINOIS
DEPARTMENT OF TRANSPORTATION

| | | | | | |
|-----------------------|----------|-------------------|--------------|-----------|-------------|
| ROUTE NO. | SECTION | COUNTY | TOTAL SHEETS | SHEET NO. | SHEET NO. 2 |
| F.A.P. 301 | * | Stephenson | x | #12 | 5 SHEETS |
| FED. ROAD DIST. NO. 7 | ILLINOIS | FED. AID PROJECT- | | | |

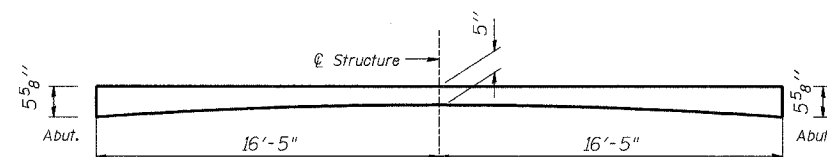
* Section 22 BR-1 Contract #64B04



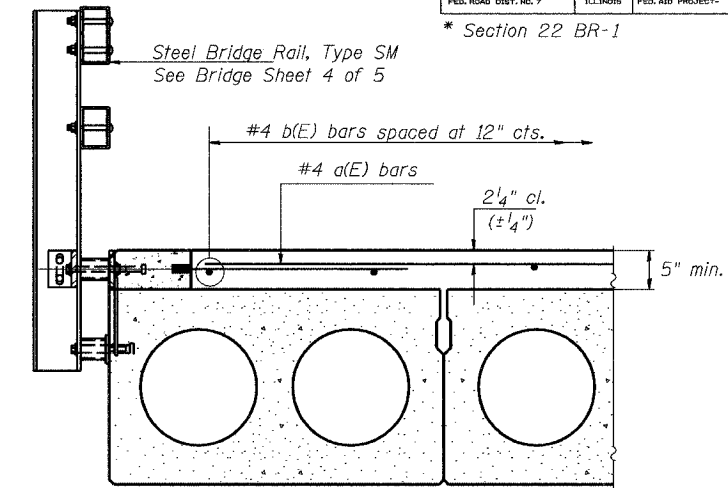
DECK PLAN



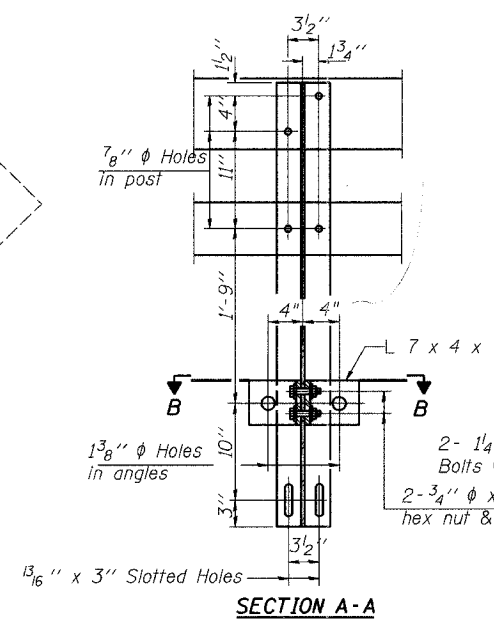
CROSS SECTION



SECTION THRU WEARING SURFACE

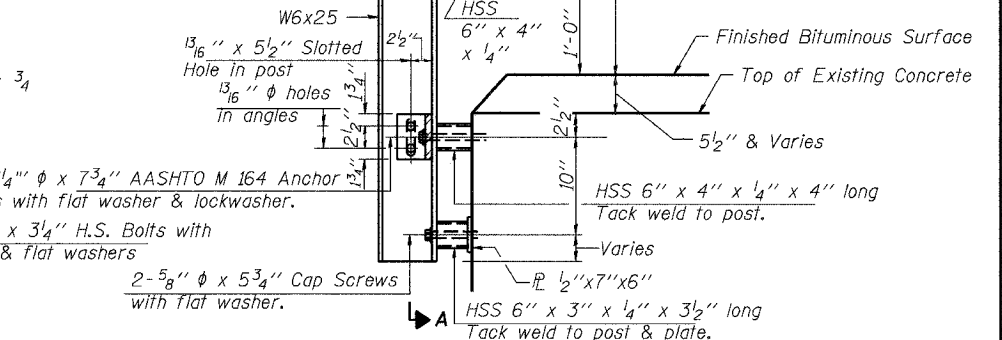


SECTION THRU
DECK EDGE - MAIN SPAN



SECTION A-A

4-3/4" ϕ x 6" Round Head Bolts
(With slot or approved recess in head) with locknut & flat washer.
7/8" ϕ Holes in hollow structural section may be drilled in the field.



SECTION THRU
EDGE - APPROACH SPAN

See Bridge Sheet 5 of 5 for Existing Anchor Details

BILL OF MATERIAL - SUPERSTRUCTURE

| Bar | Size | Length | Shape |
|-------------------------------------|-------|--------|-------|
| a(E) | #4 | 31'-0" | --- |
| b(E) | #4 | 32'-6" | --- |
| ITEM | UNIT | TOTAL | |
| Removal of Existing Superstructures | Each | 1 | |
| Bridge Deck Grooving | Sq Yd | 114 | |
| Concrete Wearing Surface | Sq Yd | 115 | |

Reinforcement bars designated (E) shall be epoxy coated.

| | |
|----------|--------|
| DESIGNED | SB |
| CHECKED | RB |
| DRAWN | DB, BS |
| CHECKED | SB |

DECK OVERLAY DETAILS
F.A.P. 301 (U.S. 20)
OVER YELLOW CREEK
SECTION 22BR-1
STEPHENS ON COUNTY
STR. NO. 089-0002