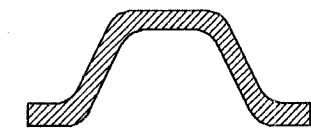
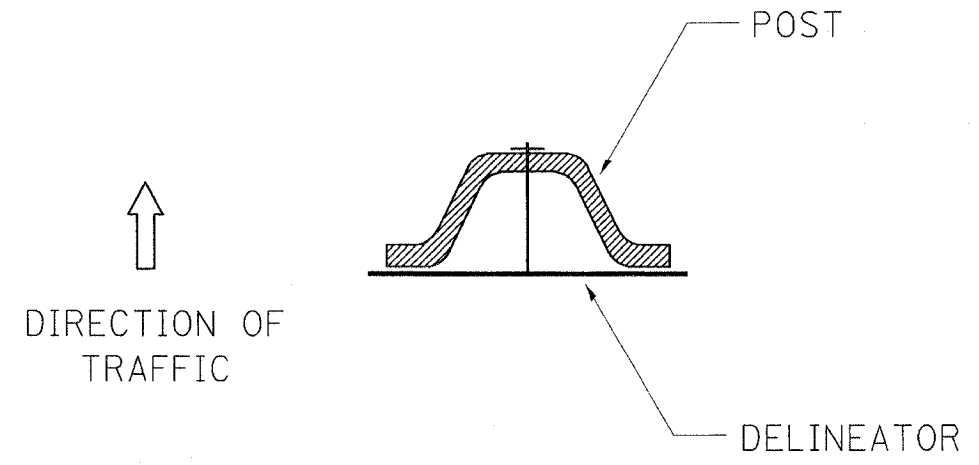


DELINEATOR AND POST ORIENTATION

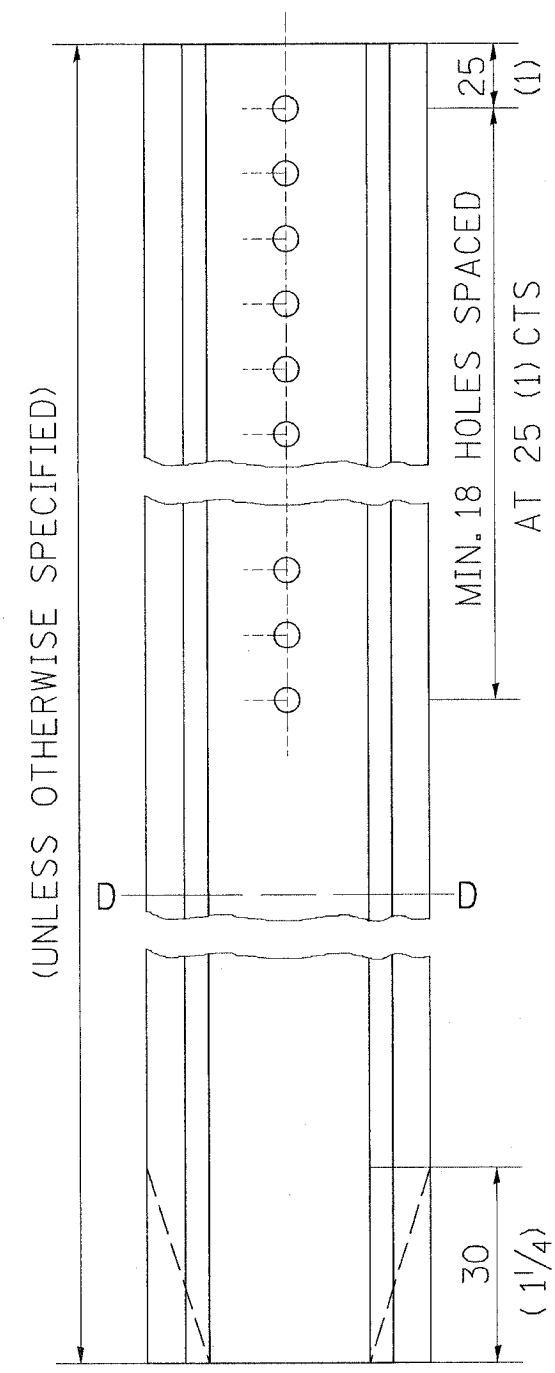
F. A. RTE.	SECTION	COUNTY	TOTAL SHEETS	SHEET NO
88	103C-BR	BUREAU	51	38
STA. 19+00		TO STA. 39+00		
FED. ROAD DIST. NO.	ILLINOIS	FED. AID PROJECT		



SECTION D-D



DELINEATORS SHALL BE INSTALLED ACCORDING TO STANDARD 635001 EXCEPT THAT THE POST SHALL BE ROTATED 180°. THE POST WILL HAVE THE WIDE SIDE FACING TRAFFIC AND THE DELINEATOR ATTACHECD AS SHOWN ABOVE.



CHECKED BY:

DRAWN BY:

DESIGNED BY:

Tue Nov 04 09:55:17 2003
c:\projects\d2stnds\z37p14.dgn