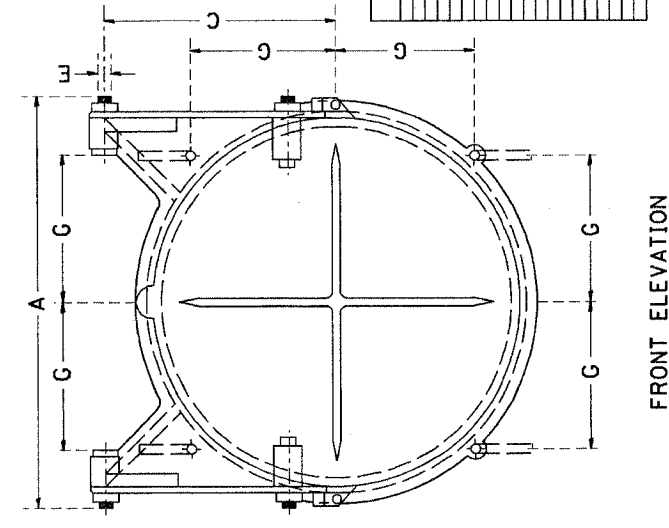
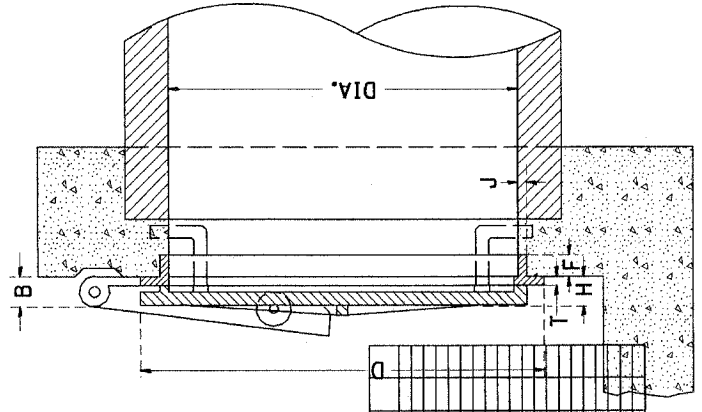


AUTOMATIC FLAP GATES

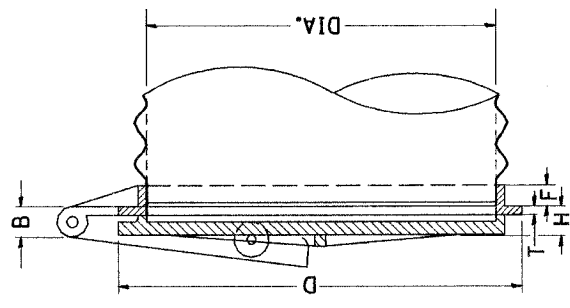
P.A. RTE.	SECTION	COUNTY	TOTAL SHEETS	SHEET NO
88	103C-BR	BUREAU	51	37
STA. 19+00		TO STA. 39+00		
FED. ROAD DIST. NO. 7		ILLINOIS		
FED. AID PROJECT				



FRONT ELEVATION



SECTION



SECTION SHOWING METHOD OF APPLICATION TO CORRUGATED METAL PIPE

IT IS INTENDED THAT THE AUTOMATIC FLAP GATES SHALL BE A COMMERCIAL PRODUCT PRODUCED BY A RELIABLE MANUFACTURER. THE GATE MAY BE MADE OF CAST IRON, CAST STEEL OR OTHER SUITABLE MATERIALS. THE DESIGN MAY DIFFER FROM THE DRAWING IF IT WILL WORK IN A SATISFACTORY, TROUBLE FREE MANNER AND WILL WITHSTAND THE WATER PRESSURE AT THE INSTALLATION LOCATION. THE GATE SHALL BE APPROVED BY THE ENGINEER.

THE SIZE OF AUTOMATIC FLAP GATES SHALL REFER TO THE DIAMETER OF THE OUTLET PIPE OR OPENING.

THIS WORK SHALL BE PAID FOR AT THE CONTRACT UNIT PRICE EACH FOR FLAP GATES OF THE SIZE SPECIFIED AND SHALL INCLUDE ALL MATERIALS AND COMPLETE INSTALLATION.

ALL DIMENSIONS ARE IN MILLIMETERS (INCHES) UNLESS OTHERWISE NOTED.

TABLE OF DIMENSIONS

DIAM	A	B	C	D	E	F	G	H	J	T
200 (8)	273 (10 3/4)	35 (1 3/8)	144 (5 11/16)	254 10	13 (1/2)	29 (1 1/8)	90 (3 5/8)	32 (1 1/4)	19 (3/8)	10 (3/8)
250 (10)	324 (12 3/4)	35 (1 3/8)	181 (7 1/8)	311 (12 1/4)	13 (1/2)	29 (1 1/8)	111 (4 3/8)	38 (1 1/2)	13 (1/2)	11 (7/16)
300 (12)	375 (14 3/4)	35 (1 3/8)	216 (8 1/2)	368 (14 1/2)	13 (1/2)	29 (1 1/8)	130 (5 1/8)	38 (1 1/2)	13 (1/2)	13 (1/2)
350 (14)	438 (17 1/4)	35 (1 3/8)	251 (9 7/8)	425 (16 3/4)	13 (1/2)	32 (1 1/4)	151 (5 9/16)	38 (1 1/2)	13 (1/2)	14 (3/8)
375 (15)	451 (17 3/4)	35 (1 3/8)	270 (10 5/8)	451 (17 3/4)	13 (1/2)	32 (1 1/4)	159 (6 1/4)	38 (1 1/2)	13 (1/2)	14 (3/8)
400 (16)	489 (19 1/4)	35 (1 3/8)	286 (11 1/4)	476 (18 3/4)	13 (1/2)	32 (1 1/4)	168 (6 5/8)	38 (1 1/2)	13 (1/2)	14 (3/8)
450 (18)	565 (22 1/4)	51 2	321 (12 5/8)	533 21	19 (3/4)	40 (1 9/16)	189 (7 1/16)	44 (1 3/4)	14 (9/16)	14 (9/16)
500 (20)	629 (24 3/4)	51 2	359 (14 1/8)	603 (23 3/4)	19 (3/4)	35 (1 3/8)	210 (8 1/4)	44 (1 3/4)	16 (5/8)	16 (5/8)
525 (21)	641 (25 1/4)	51 2	378 (14 7/8)	616 (24 1/4)	19 (3/4)	35 (1 3/8)	217 (8 9/16)	44 (1 3/4)	16 (5/8)	16 (5/8)
600 (24)	718 (28 1/4)	51 2	432 17	699 (27 1/2)	19 (3/4)	38 (1 1/2)	248 (9 3/4)	44 (1 3/4)	16 (5/8)	16 (5/8)
750 (30)	895 (35 1/4)	64 (2 1/2)	521 (20 1/2)	864 34	25 1	40 (1 9/16)	305 12	51 2	27 (1 1/16)	16 (5/8)
900 (36)	1054 (41 1/2)	64 (2 1/2)	635 25	1038 (40 7/8)	25 1	52 (2 1/16)	367 (14 7/16)	57 (2 1/4)	29 (1 1/8)	17 (11/16)
1050 (42)	1207 (47 1/2)	64 (2 1/2)	756 (29 3/4)	1194 47	25 1	59 (2 5/16)	422 (16 5/8)	57 (2 1/4)	29 (1 1/8)	19 (3/4)
1200 (48)	1359 (53 1/2)	64 (2 1/2)	864 34	1372 54	25 1	70 (2 3/4)	484 (19 1/16)	57 (2 1/4)	35 (1 3/8)	19 (3/4)
1350 (54)	1543 (60 3/4)	64 2 1/2	965 38	1581 (62 1/4)	32 (1 1/4)	70 (2 3/4)	559 22	76 3	38 (1 1/2)	22 (7/8)
1500 (60)	1702 (67)	64 (2 1/2)	1067 42	1740 (68 1/2)	32 (1 1/4)	70 (2 3/4)	616 (24 1/4)	76 3	38 (1 1/2)	24 (11/16)
1650 (66)	1855 (73 3/8)	64 (2 1/2)	1194 47	1905 75	32 (1 1/4)	73 (2 7/8)	673 (26 1/2)	76 3	38 (1 1/2)	25 1
1800 (72)	2007 (79)	64 (2 1/2)	1295 51	2083 82	32 (1 1/4)	76 3	737 29	76 3	38 (1 1/2)	25 1
1950 (78)	2184 (86)	64 (2 1/2)	1403 (55 1/4)	2254 (88 3/4)	32 (1 1/4)	89 (3 1/2)	797 (31 3/8)	76 3	41 (1 5/8)	29 (1 1/8)
2100 (84)	2350 (92 1/2)	89 (3 1/2)	1511 (59 1/2)	2426 (95 1/2)	38 (1 1/2)	89 (3 1/2)	857 (33 3/4)	76 3	44 (1 3/4)	32 (1 1/4)

64423