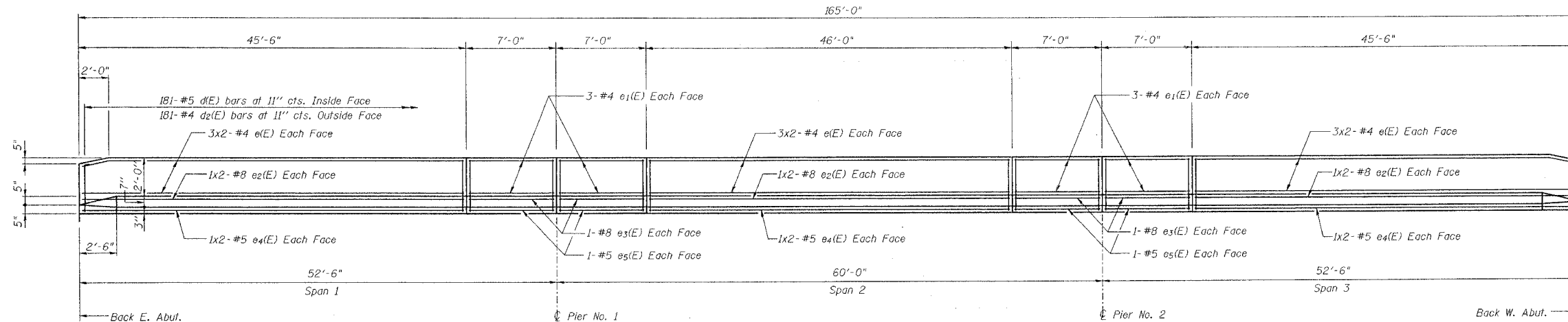


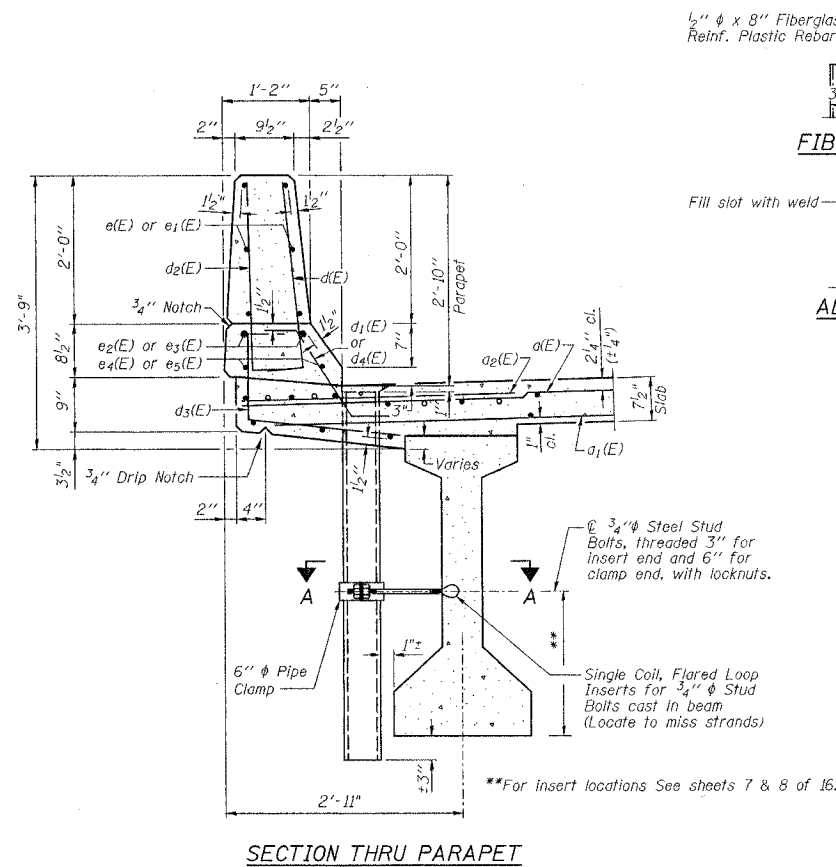
STATE OF ILLINOIS
DEPARTMENT OF TRANSPORTATION

Sheet No. 6
of 16 Sheets

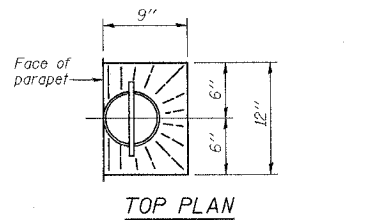
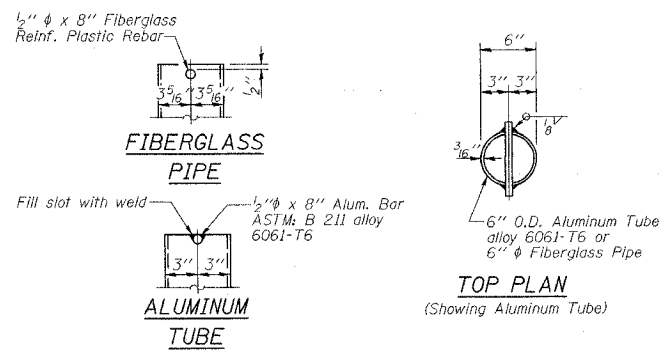
ROUTE NO.	SECTION	COUNTY	TOTAL SHEETS	SHEET NO.
SBI 88	103C-BR	BUREAU	51	17
FED. ROAD DIST. NO.		ILLINOIS	PROJECT	
CONTRACT #64423				



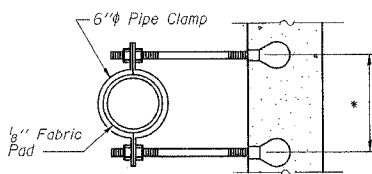
INSIDE ELEVATION OF PARAPET



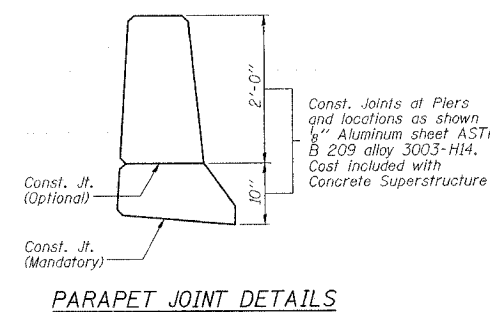
SECTION THRU PARAPET



TOP PLAN

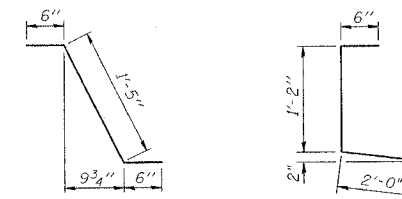


SECTION A-A



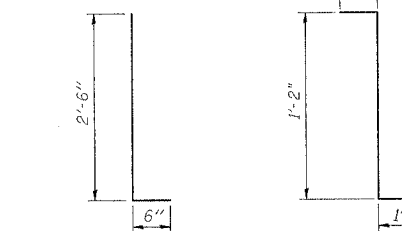
PARAPET JOINT DETAILS

Notes:
Fiberglass pipe shall conform to ASTM D2996, with short-time rupture strength hoop tensile stress of 30,000 p.s.i. minimum.
The exterior surfaces of the floor drains shall be coated or pigmented by the manufacturer with a color that matches the concrete.
The clamping device and inserts shall be galvanized according to AASHTO M 232.



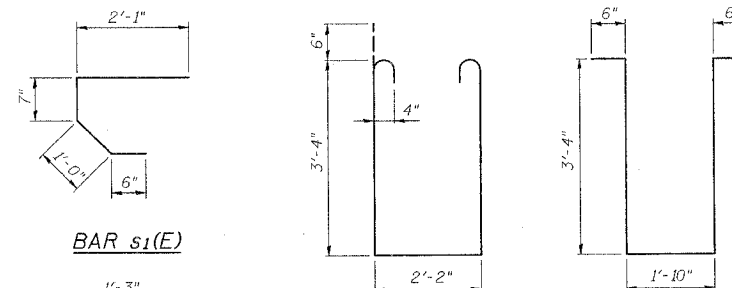
BAR d1(E)

BAR d3(E)



BARS d(E) & d2(E)

BAR d4(E)



BAR s1(E)

BAR s2(E)

BAR s3(E)

BAR v5(E)

MIN BAR LAP
#4 bar = 1'-4"
#5 bar = 1'-8"
#8 bar = 3'-5"

SUPERSTRUCTURE
BILL OF MATERIAL

Bar	No.	Size	Length	Shape
a(E)	265	#5	30'-7"	—
a1(E)	199	#5	29'-11"	—
a2(E)	266	#6	4'-6"	—
b(E)	204	#5	29'-4"	—
b1(E)	62	#6	22'-3"	—
b2(E)	210	#5	25'-5"	—
d(E)	362	#5	3'-0"	—
d1(E)	350	#5	2'-5"	—
d2(E)	362	#4	3'-0"	—
d3(E)	362	#4	3'-8"	—
d4(E)	12	#5	2'-8"	—
e(E)	72	#4	23'-6"	—
e1(E)	48	#4	6'-9"	—
e2(E)	24	#8	24'-7"	—
e3(E)	16	#8	6'-9"	—
e4(E)	24	#5	23'-8"	—
e5(E)	15	#5	6'-9"	—
m(E)	4	#6	29'-6"	—
m1(E)	6	#6	30'-10"	—
m2(E)	20	#6	8'-5"	—
m3(E)	24	#6	4'-7"	—
m4(E)	4	#6	1'-11"	—
m5(E)	32	#4	5'-6"	—
m6(E)	10	#8	5'-6"	—
s1(E)	60	#5	4'-2"	—
s2(E)	52	#4	9'-10"	—
s3(E)	48	#4	9'-6"	—
v5(E)	62	#5	3'-3"	—
Reinforcement Bars, Epoxy Coated		Lbs.	40,180	
Concrete Superstructure		Cu. Yds.	196.2	
Bar Splicers		Each	56	

Reinforcement bars designated (E) shall be epoxy coated.
Bars indicated thus 1x2-#5 etc. indicates 1 line of bars with 2 lengths per line.

NEW BEDFORD ROAD OVER GREEN RIVER

SUPERSTRUCTURE DETAILS

NO.	DATE	INITIALS	REVISIONS
1			
2			
3			
4			
5			
6			
7			
8			
9			
10			
11			
12			

STATE OF ILLINOIS DEPARTMENT OF TRANSPORTATION DIVISION OF HIGHWAYS	SECTION 103C-BR	PROJECT NO. 4858-1
SBI 88 SPUR	SN 006-0163	BUREAU COUNTY
STA 29+25.34	HOMER L. CHASTAIN & ASSOCIATES, LLP CONSULTING ENGINEERS 184-001397	