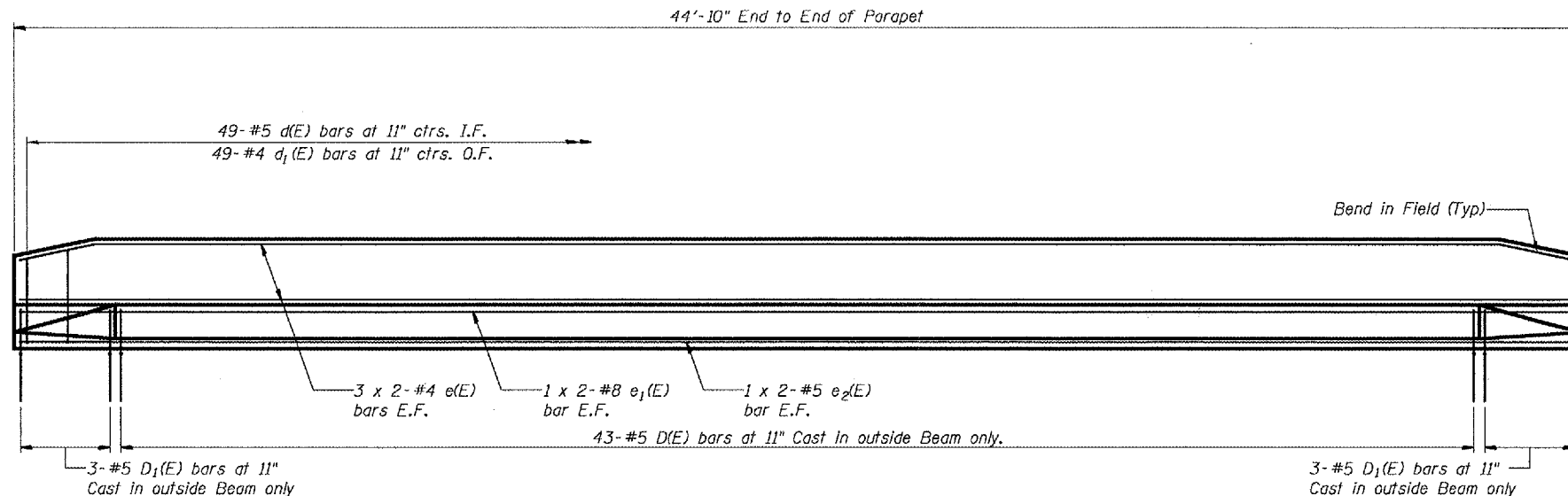


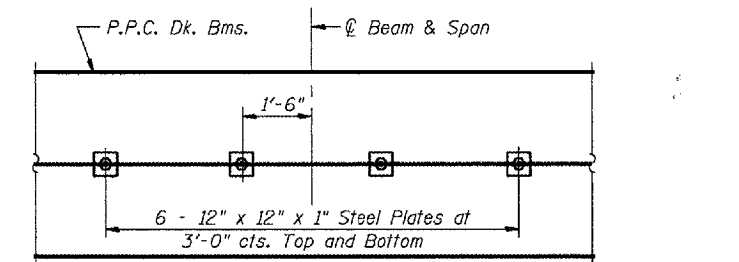
STATE OF ILLINOIS
DEPARTMENT OF TRANSPORTATION

ROUTE NO.	SECTION	COUNTY	TOTAL SHEETS	SHEET NO.	SHEET NO. 3 3 SHEETS
		Will	14	9	
FED. ROAD DIST. NO. 7	ILLINOIS	FED. AID PROJECT-			

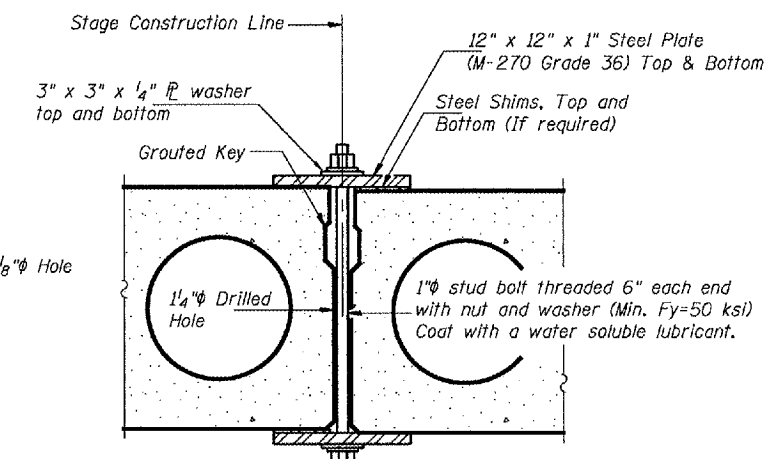
62900



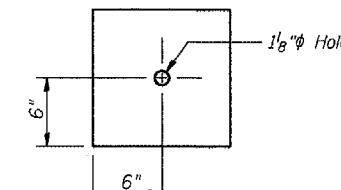
PARAPET ELEVATION



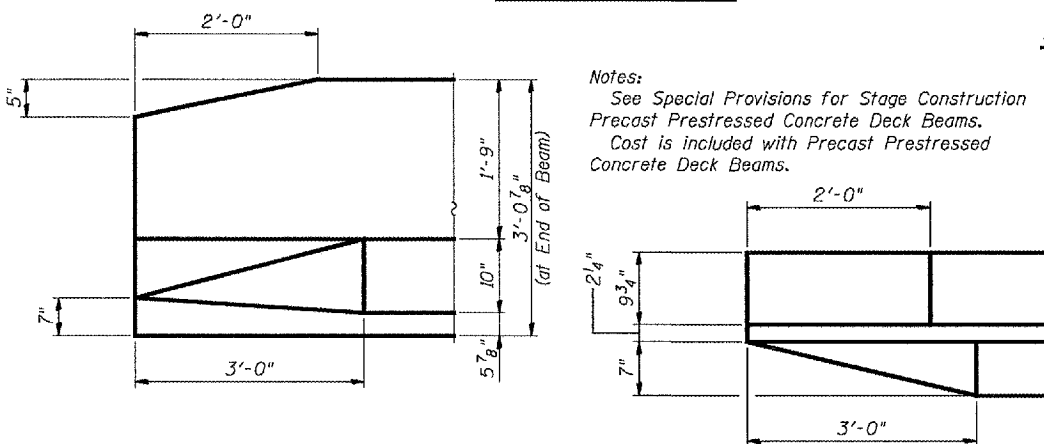
PLAN



SECTION



CLAMPING PLATE



PARAPET END DETAILS

Notes:
See Special Provisions for Stage Construction
Precast Prestressed Concrete Deck Beams.
Cost is included with Precast Prestressed
Concrete Deck Beams.

BILL OF MATERIAL

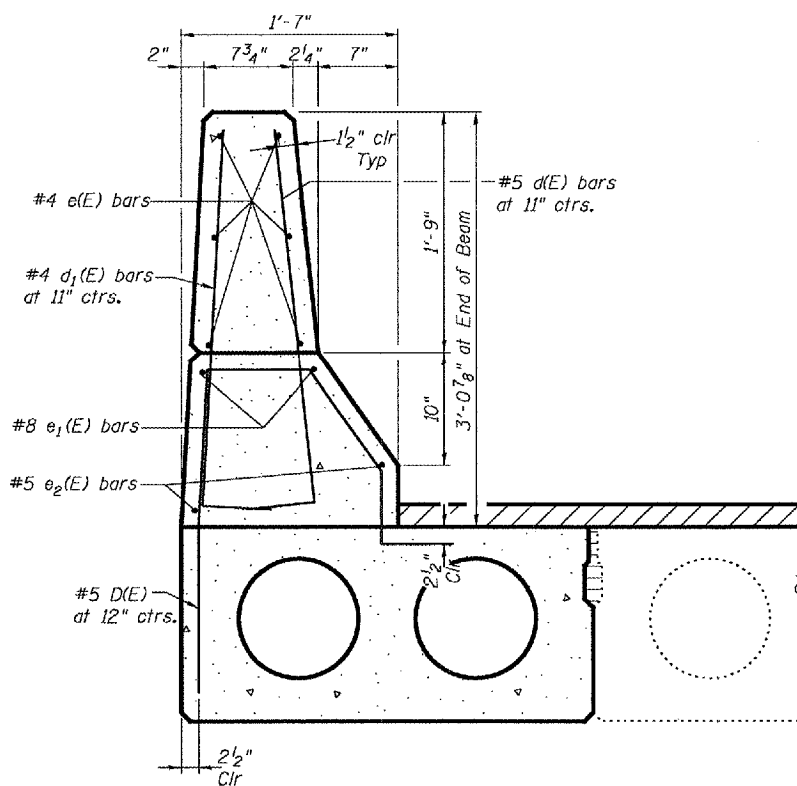
Bar	No.	Size	Length	Shape
d(E)	49	#5	3'-4"	┌
d1(E)	49	#4	3'-4"	┌
e(E)	12	#4	23'-3"	—
e1(E)	4	#8	24'-8"	—
e2(E)	4	#5	23'-6"	—
Reinforcement Bars Epoxy Coated			Pound	830
Concrete Superstructure			Cu. Yd.	5.1
Concrete Removal			Cu. Yd.	5.1

All Bars Designated (E) Shall
be Epoxy Coated.

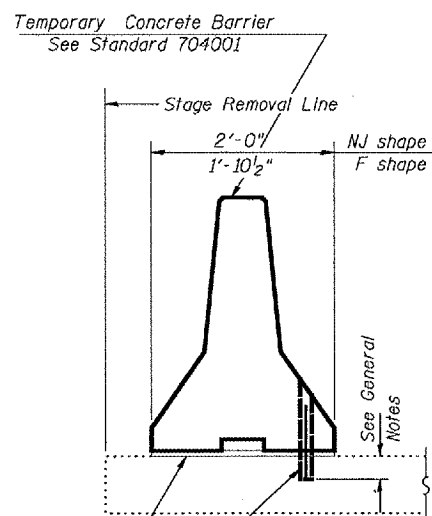
Min. Bar Laps

- #4 = 1'-8"
- #5 = 2'-2"
- #8 = 4'-6"

**PARAPET, CONCRETE
BARRIER AND STAGE DETAILS
US 45 OVER NORTH
BRANCH PRAIRIE CREEK
WILL COUNTY
SN.099-0118**



SECTION THRU PARAPET



TEMPORARY CONCRETE BARRIER

See Roadway Plans for quantity

Styrofoam Pads (NJ Shape
only) See Standard T04001

Drill 1/4" ϕ Holes in existing
overlay for 1" ϕ x 10" dowel bars.
Traffic side only. Cost included
with Temporary Concrete Barrier.

DESIGNED	V.H.V.
CHECKED	P.S.J.
DRAWN	Drew Christopher
CHECKED	V.H.V., P.S.J.

EXAMINED	May 5, 2005
	John A. Morris
PASSED	Ralph E. Anderson