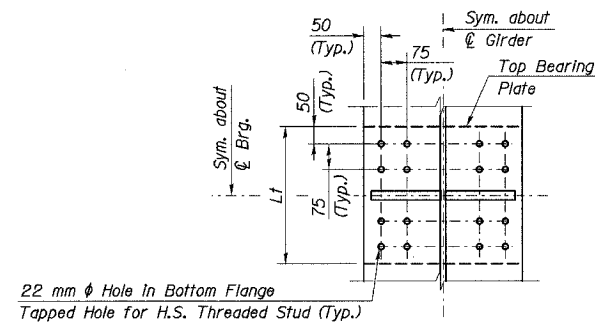
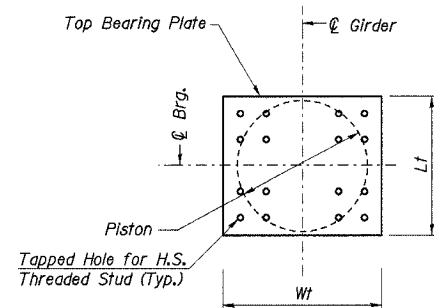


STATE OF ILLINOIS
DEPARTMENT OF TRANSPORTATION

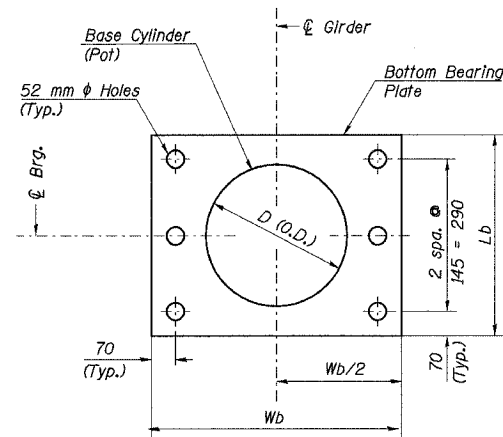
ROUTE NO.	SECTION	COUNTY	TOTAL SHEETS	SHEET NO.	SHEET NO. 18
F. A. I. 80/94	*	COOK	90	75	21 SHEETS
FED. ROAD DIST. NO. 1	ILLINOIS	FED. AID PROJECT-	CONTRACT NO. 62698		
• 2004-133F					



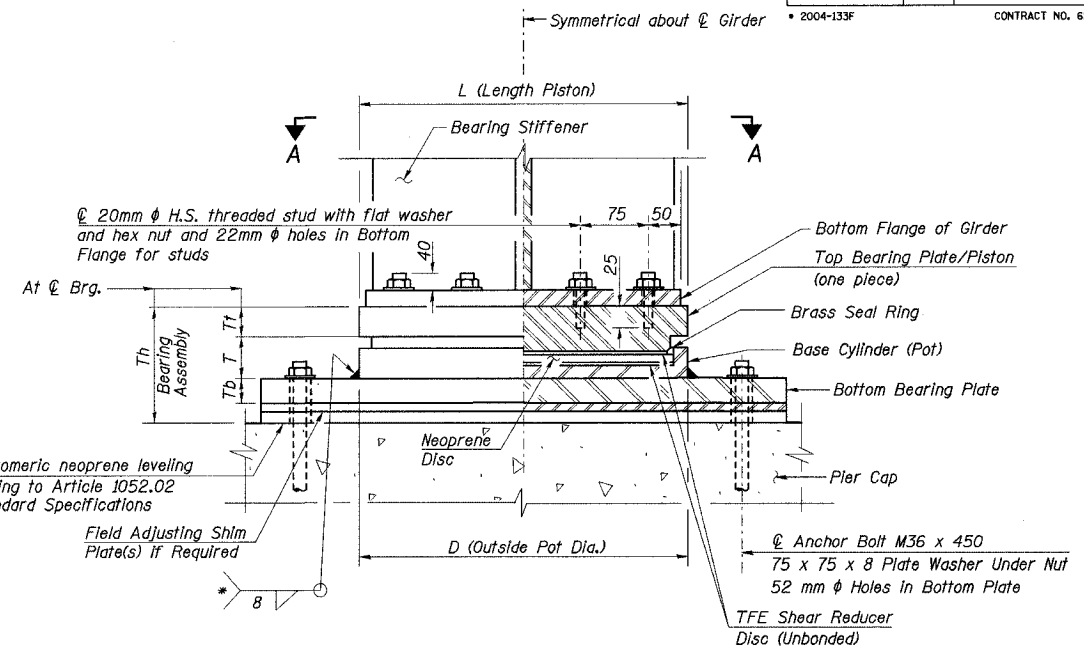
SECTION A-A



TOP BEARING PLATE / PISTON PLAN



BOTTOM BEARING PLATE AND BASE CYLINDER PLAN



HALF SECTION THRU FIXED BEARING

* Weld may be omitted if base cylinder is recessed into bottom bearing plate.

BEARING ASSEMBLY DIMENSIONS

Member	Dimension	Location	
		Pier 3	Pier 4
Top Plate	Wt	480	480
	Lt	400	400
	Tt	70	65
Bearing	D	380	380
	L	380	380
	T	110	110
Bottom Plate	Wb	750	750
	Lb	430	430
	Tb	55	55
Bearing Assembly	Th	238	233

BEARING DESIGN INFORMATION

Design Information	Location	
	Pier 3	Pier 4
Vertical Design Load (kN)	1352	1271
Pay Item Size (kN)	1500	1500
Longitudinal Lateral Load (kN)	551	551

Note:
Vertical Design Load=Total Vertical Dead Load +Live Load (No Impact)

BILL OF MATERIAL

ITEM	UNIT	QUANTITY
Furnishing Floating Bearings, Fixed, 1500 kN	Each	12

- Notes:
- All dimensions are in millimeters (mm) except as shown.
 - The structural steel for the top bearing plate/piston and bottom bearing plate shall be AASHTO M 270M Grade 345.
 - Cost of top and bottom bearing plates, 3 mm elastomeric neoprene, and threaded studs with washer shall be included with Furnishing Floating Bearings.
 - For anchor bolt type and details, see Sht. No. 21 of 21 sheets.

DESIGNED	TRL
CHECKED	JJK
DRAWN	LK
CHECKED	JJK

I:\realize\EA\34562\CADD\B1\SN_2807\code\CTR_23_2807\br-190014e-2807.dgn
 20-MAY-2005 14:31

ILLINOIS DEPARTMENT OF TRANSPORTATION
I-94 EAST BOUND / IL 394 SOUTH BOUND
FLOATING FIXED BEARINGS
EB I-94 OVER THORN CREEK
F.A.I. 94 SECTION 2004-133F
COOK COUNTY
STA. 20+509.000 STRUCTURE NO. 016-2807
DATE 05/16/05
SCALE ---

HNTB