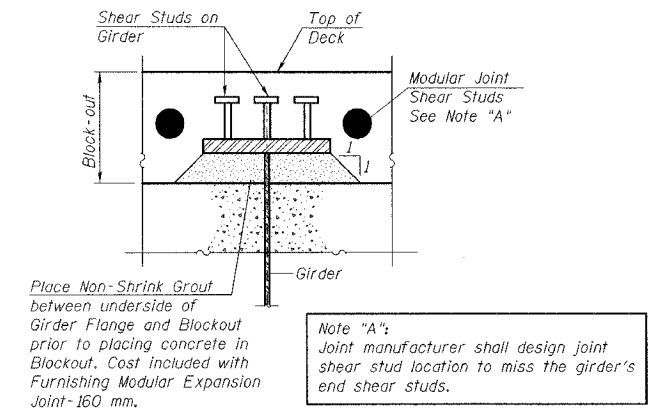
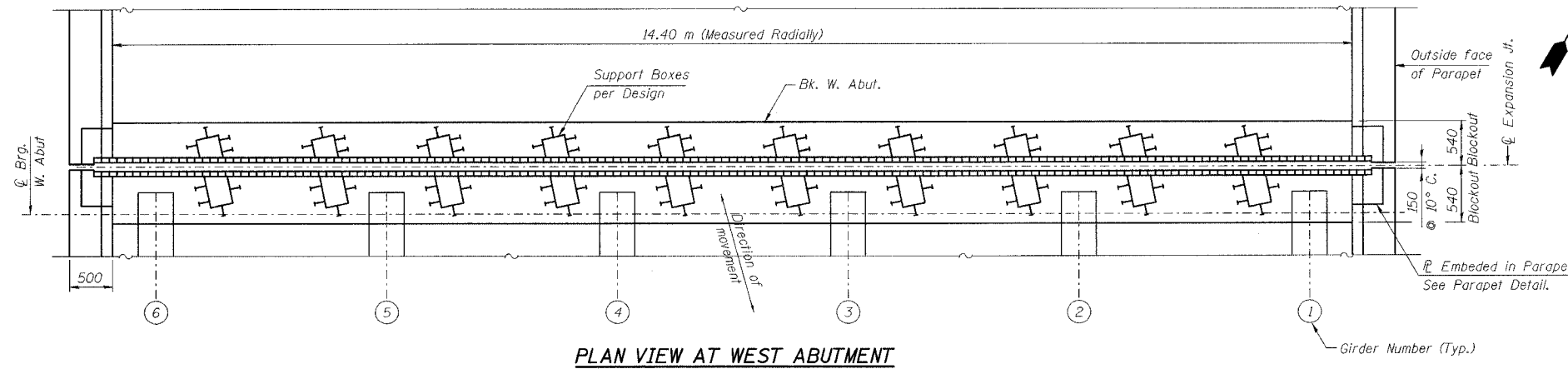
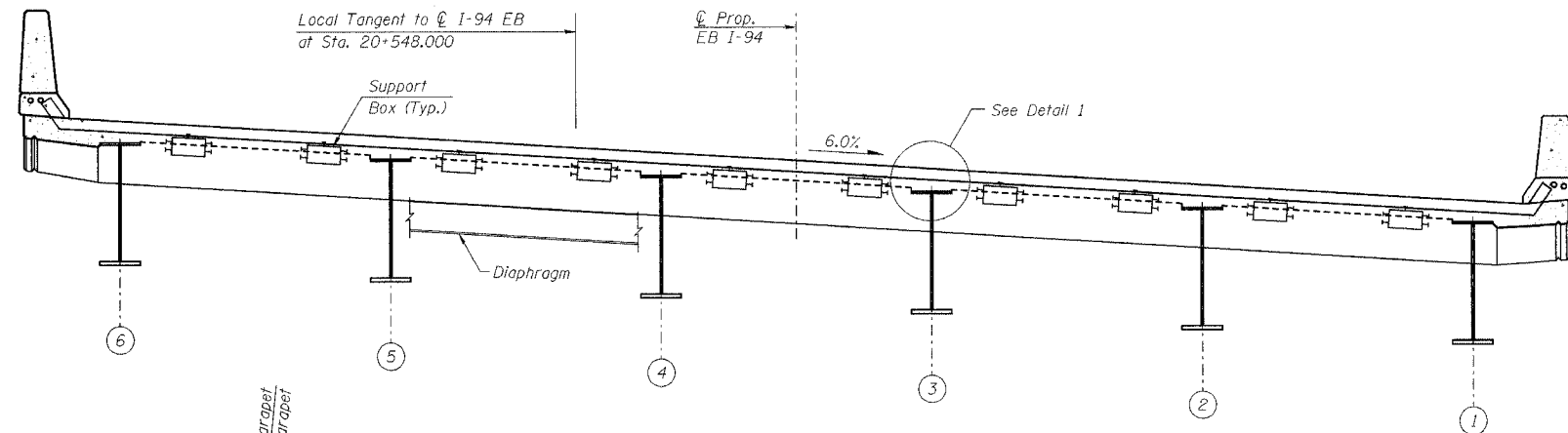


STATE OF ILLINOIS
DEPARTMENT OF TRANSPORTATION

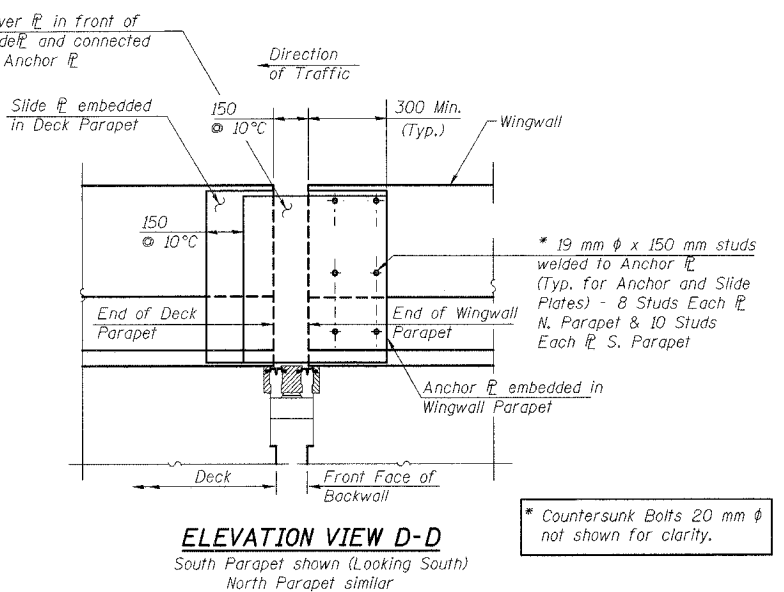
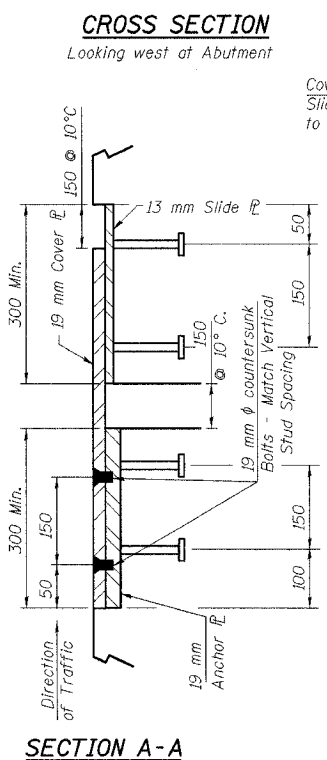
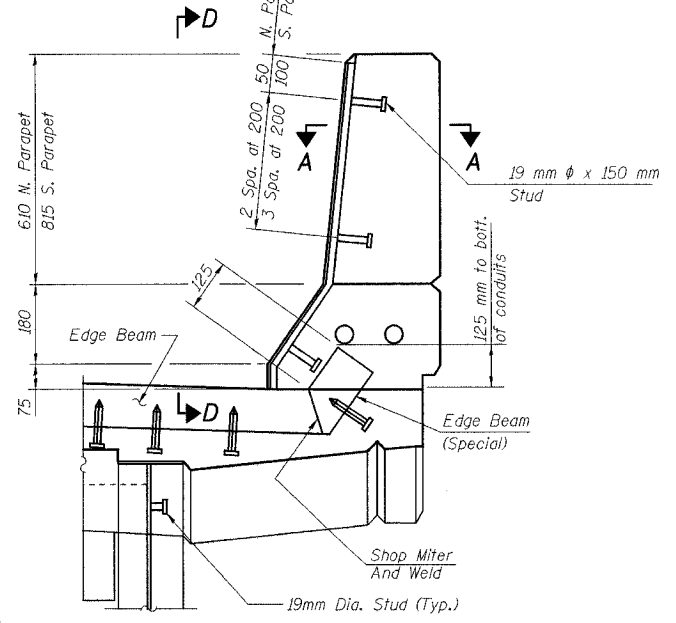
ROUTE NO.	SECTION	COUNTY	TOTAL SHEETS	SHEET NO.	SHEET NO. 9 21 SHEETS
F. A. I. 80/94	*	COOK	90	66	
FED. ROAD DIST. NO. 1		ILLINOIS FED. AID PROJECT		CONTRACT NO. 62898	
* 2004-133F					



Note "A":
Joint manufacturer shall design joint shear stud location to miss the girder's end shear studs.



- Notes:
1. Modular Expansion Joint shall be designed in accordance with the latest AASHTO Specifications for MS-18 truck loading with impact.
 2. The expansion joint device shall be prefabricated modular assembly with multiple support bars and separator beams, providing a continuous seal across the deck.
 3. Joint shall be fabricated and installed according to the manufacturer's recommendations and as shown in Special Provisions for Modular Expansion Joint and as approved by the Engineer.
 4. Joint shall be fabricated to conform to the roadway profile and cross-slope.
 5. All exposed structural steel elements such as separator and edge beams support bars and cover plate shall be fabricated with AASHTO M270M Grade 345 Steel unless specified otherwise by the manufacturer.
 6. The Cost of Furnishing the Barrier Plates, the Countersunk bolts, and the Stud Anchors, and installing of the sliding plate assembly at the parapets, shall be included with Furnishing Modular Expansion Joint - 160mm. The Sliding Plate Assembly shall be galvanized.
 7. Modular expansion joint shall be shipped in one piece unless noted.
 8. No aluminum components shall be allowed.
 9. All splices of center beams and edge beams shall be full penetration welds (Upturn splices may be partial penetration welds).
 10. See Deck Cross Section & Details drawing for section thru joint.
 11. All dimension are in millimeters (mm) except as noted.
 12. Countersunk bolts and Concrete inserts to be Hot-Dipped Galvanized according to AASHTO M232.
 13. Stud anchors shall be according to Article 1006.32 of the Standard Specifications.
 14. Cost of all stud anchors shall be included with Furnishing Modular Expansion Joint-160 mm (unless noted otherwise).
 15. Joint openings shall be adjusted according to Article 503.10(c) of the Standard Specifications when the blockout is cast at an ambient temperature other than 10°C.



BILL OF MATERIAL

Item	Unit	Total
Furnishing Modular Expansion Joint - 160 mm	m	14.7

DESIGNED	PCA
CHECKED	JJK
DRAWN	LK
CHECKED	JJK

PARAPET DETAIL

SECTION A-A

ILLINOIS DEPARTMENT OF TRANSPORTATION
I-94 EAST BOUND / IL 394 SOUTH BOUND
MODULAR EXPANSION JOINT DETAILS
EB I-94 OVER THORN CREEK
F.A.I. 94 SECTION 2004-133F
COOK COUNTY
STA. 20+509.000 STRUCTURE NO. 016-2807
DATE 05/16/05
SCALE ---

HNTB

j:\34562\CADD\B1\SN_2807\cda\CTR_29_2807\ej\90014s_2807.dgn
 20-MAY-2005 14:44
 Ikelita