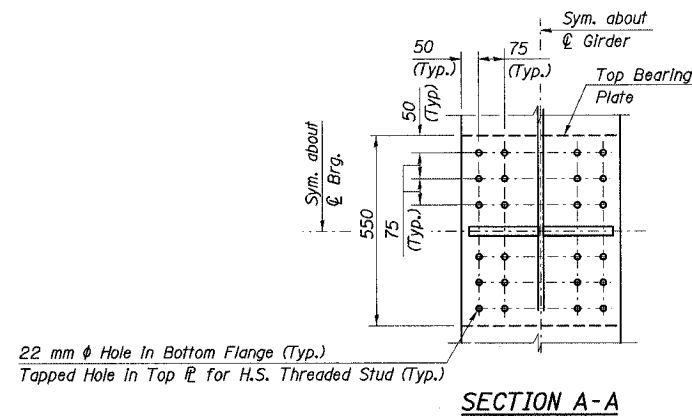
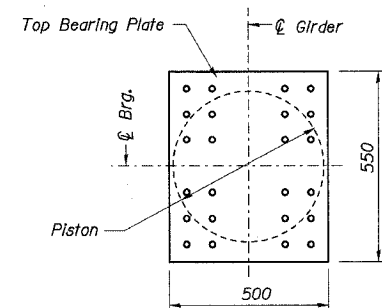


STATE OF ILLINOIS  
DEPARTMENT OF TRANSPORTATION

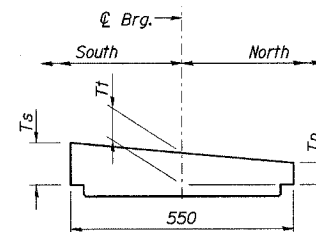
ROUTE NO.	SECTION	COUNTY	TOTAL SHEETS	SHEET NO.	SHEET NO. 40
F. A. I. 80/94	*	COOK	90	55	42 SHEETS
FED. ROAD DIST. NO. 1	ILLINOIS	FED. AID PROJECT-	CONTRACT NO. 62898		
2004-133F					



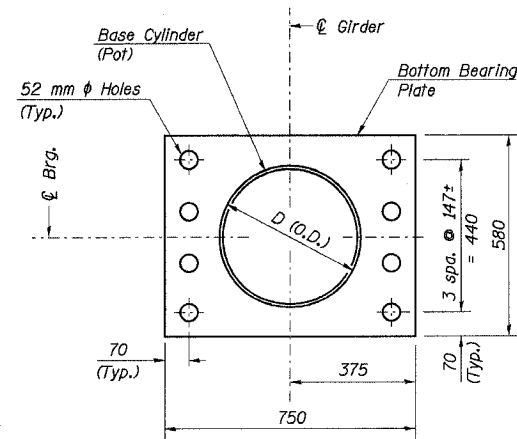
SECTION A-A



TOP BEARING PLATE / PISTON PLAN

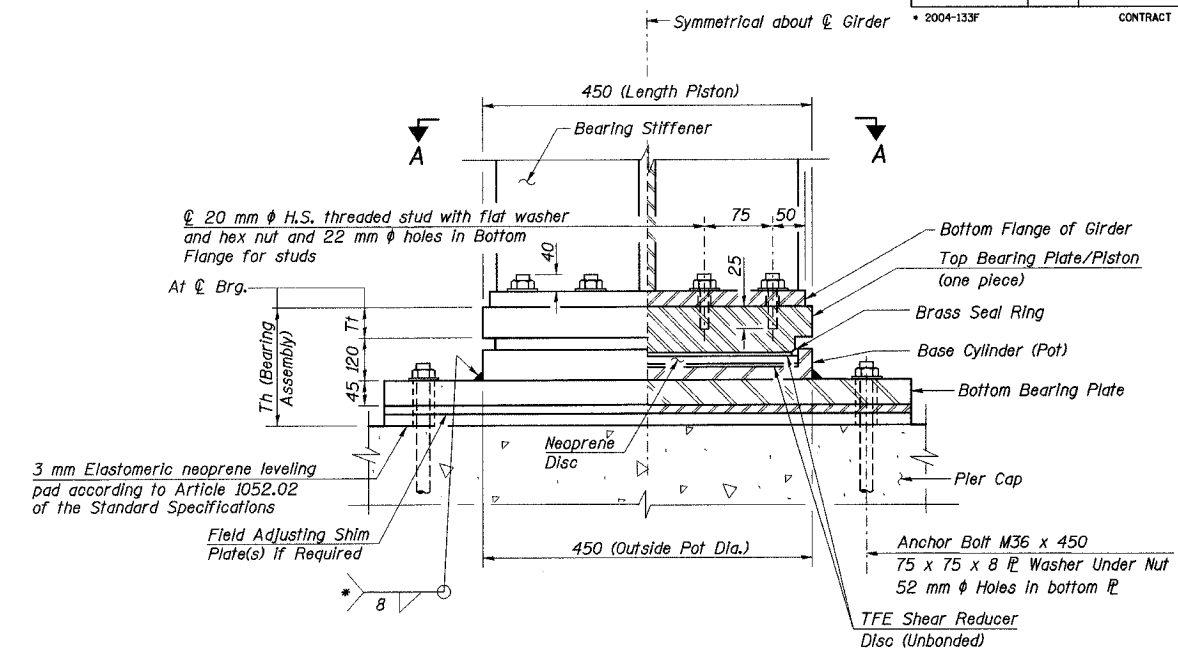


TOP BEARING PLATE / PISTON BEVEL



BOTTOM BEARING PLATE AND BASE CYLINDER PLAN

DESIGNED	TRL
CHECKED	JK
DRAWN	LK
CHECKED	JK



HALF SECTION THRU FIXED BEARING  
(Pier 3)

BEARING ASSEMBLY DIMENSIONS

Member	Dimension	Location - Pier 3											
		Girder 1	Girder 2	Girder 3	Girder 4	Girder 5	Girder 6	Girder 7	Girder 8	Girder 9	Girder 10	Girder 11	Girder 12
Top Plate	Tn	75	70	70	70	70	70	70	70	70	70	70	70
	Tt	73	70	70	70	70	70	70	70	73	73	73	73
	Ts	70	70	70	70	70	70	70	70	75	75	75	75
Bearing Assembly	Th	241	238	238	238	238	238	238	238	241	241	241	241

BEARING DESIGN INFORMATION

Design Information	Location
Vertical Design Load (kN)	Pier 3
Pay Item Size (kN)	2038
Longitudinal Lateral Load (kN)	2250
	735

Note:  
Vertical Design Load=Total Vertical Dead Load +Live Load  
(No Impact)

- Notes:
- All dimensions are in millimeters (mm) except as shown.
  - The structural steel for the top bearing plate/piston and bottom bearing plate shall be AASHTO M 270M Grade 345.
  - Cost of top and bottom bearing plates, 3 mm elastomeric neoprene, and threaded studs with washer shall be included in Floating Bearings.
  - For anchor bolt type and details, see Sht. No. 42 of 42 sheets.

FLOATING FIXED BRG. LOCATIONS

Unit	Location	No. of Brgs. Req'd
1	Pier 3	12

BILL OF MATERIAL

ITEM	UNIT	QUANTITY
Furnishing Floating Bearings, Fixed, 2250 kN	Each	12

ILLINOIS DEPARTMENT OF TRANSPORTATION  
I-94 EAST BOUND / IL 394 SOUTH BOUND  
**FLOATING FIXED BEARINGS**  
SB IL ROUTE 394 OVER THORN CREEK  
F.A.P. 332 SECTION 2004-133F  
COOK COUNTY  
STA. 440+704.350 STRUCTURE NO. 016-2800  
DATE 05/16/05  
SCALE ---

**HNTB**

L:\kalis\EA\34562\CADD\B1\SN\_2800\Cadd\CTR\_25\_2800\br\_190206\_46\_2800.dgn  
16-JUN-2005 10:54