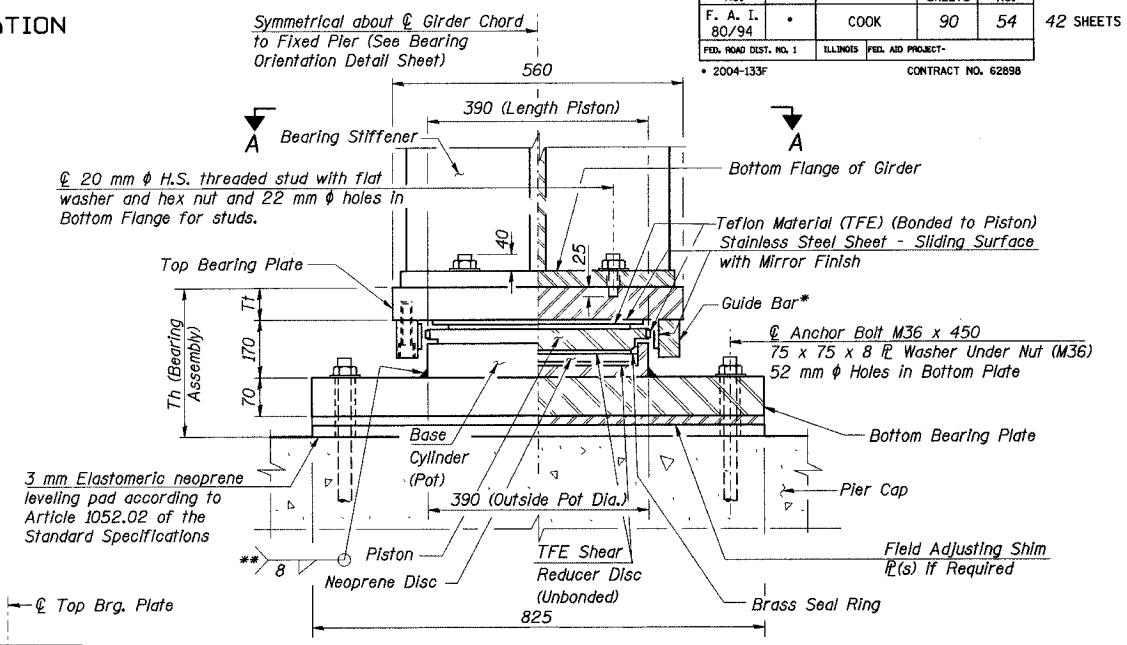
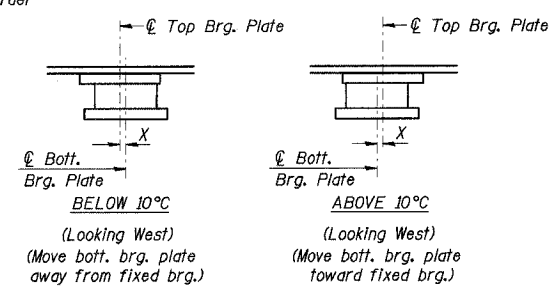
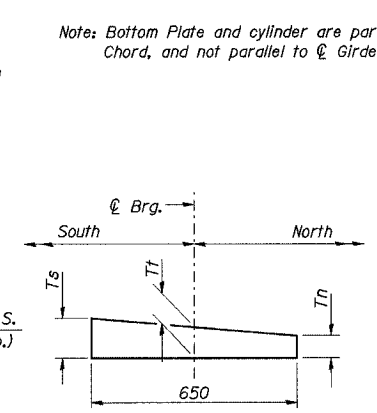
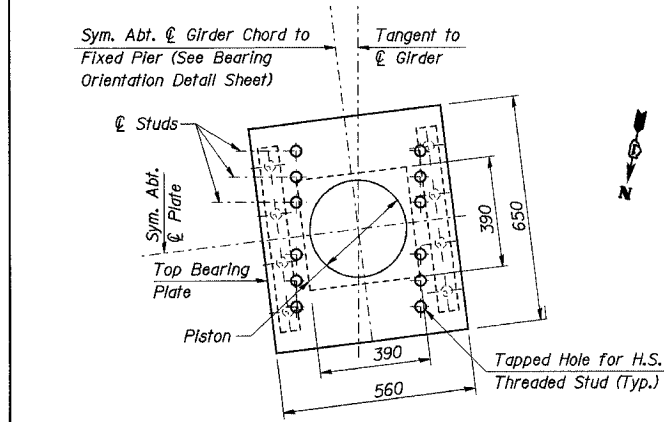
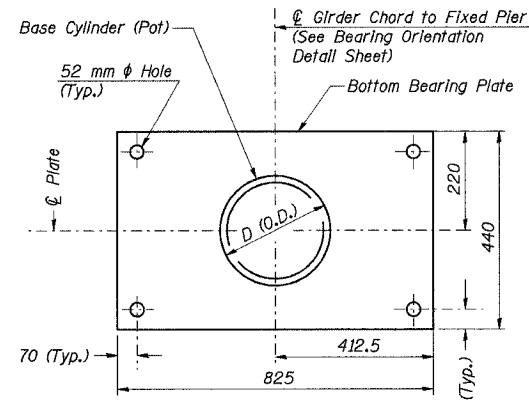
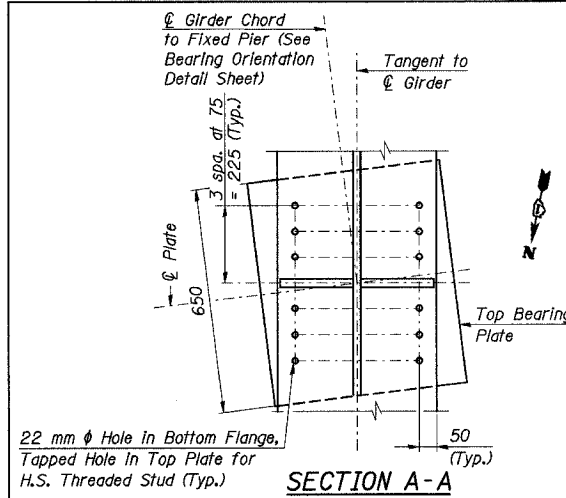


STATE OF ILLINOIS
DEPARTMENT OF TRANSPORTATION

ROUTE NO.	SECTION	COUNTY	TOTAL SHEETS	SHEET NO.	SHEET NO. 39
F. A. I. 80/94	*	COOK	90	54	42 SHEETS
FED. ROAD DIST. NO. 1	ILLINOIS FED. AID PROJECT				
2004-133F			CONTRACT NO. 62898		



Note: T1 and T2 are measured at \bar{C} Bearing
T2 includes 3 mm elastomeric neoprene mat.

- * As alternatives to the bolted connection shown, the guide bars may be connected to the top bearing plate by groove welds or the guide bars and top bearing plate may be fabricated as a single piece.
- ** Weld may be omitted if base cylinder is recessed into bottom bearing plate.

BILL OF MATERIAL

ITEM	UNIT	QUANTITY
Furnishing Floating Bearings, Guided Expansion, 2000 kN	Each	10

BEARING ASSEMBLY DIMENSIONS

Member	Dimension	Location - Pier 4									
		Girder 1	Girder 2	Girder 4	Girder 5	Girder 6	Girder 7	Girder 8	Girder 10	Girder 11	Girder 12
Top Plate	Tn	60	60	60	60	60	60	60	60	60	60
	Tt	65	65	63	63	63	63	63	63	63	63
	Ts	70	70	65	65	65	65	65	65	65	65
Bearing Assembly	Th	308	308	306	306	306	306	306	306	306	306

FLOATING EXP. BRG. LOCATIONS

Unit	Location	No. of Brgs. Req'd
1	Pier 4	10

BEARING DESIGN INFORMATION

Design Information	Location
Vertical Design Load (kN)	Pier 4
Pay Item Size (kN)	1985
Total Required Movement (mm)	104

Note: Vertical Design Load = Total Vertical Dead Load + Live Load (No Impact)

- Notes:
- All dimensions are in millimeters (mm) except as shown.
 - The structural steel for the top and bottom bearing plates shall be AASHTO M 270M Grade 345.
 - Cost of top and bottom bearing plates, 3mm Elastomeric Neoprene, shim plates and threaded studs with washer shall be included with Floating Bearings.
 - See sheet No. 42 of 42 sheets for Anchor Bolt Installation.

ILLINOIS DEPARTMENT OF TRANSPORTATION
I-94 EAST BOUND / IL 394 SOUTH BOUND
FLOATING EXPANSION BEARINGS
SB IL ROUTE 394 OVER THORN CREEK
F.A.P. 332 SECTION 2004-133F
COOK COUNTY
STA. 440+704.350 STRUCTURE NO. 016-2800
DATE 05/16/05
SCALE ---
HNTB

L:\elito\EN34562\CADD\B1\SN_2800\csh\CTR_25_2800\br\1900546_2800.dgn
16-JUN-2005 10:54

DESIGNED	TRL
CHECKED	JJK
DRAWN	LK
CHECKED	JJK