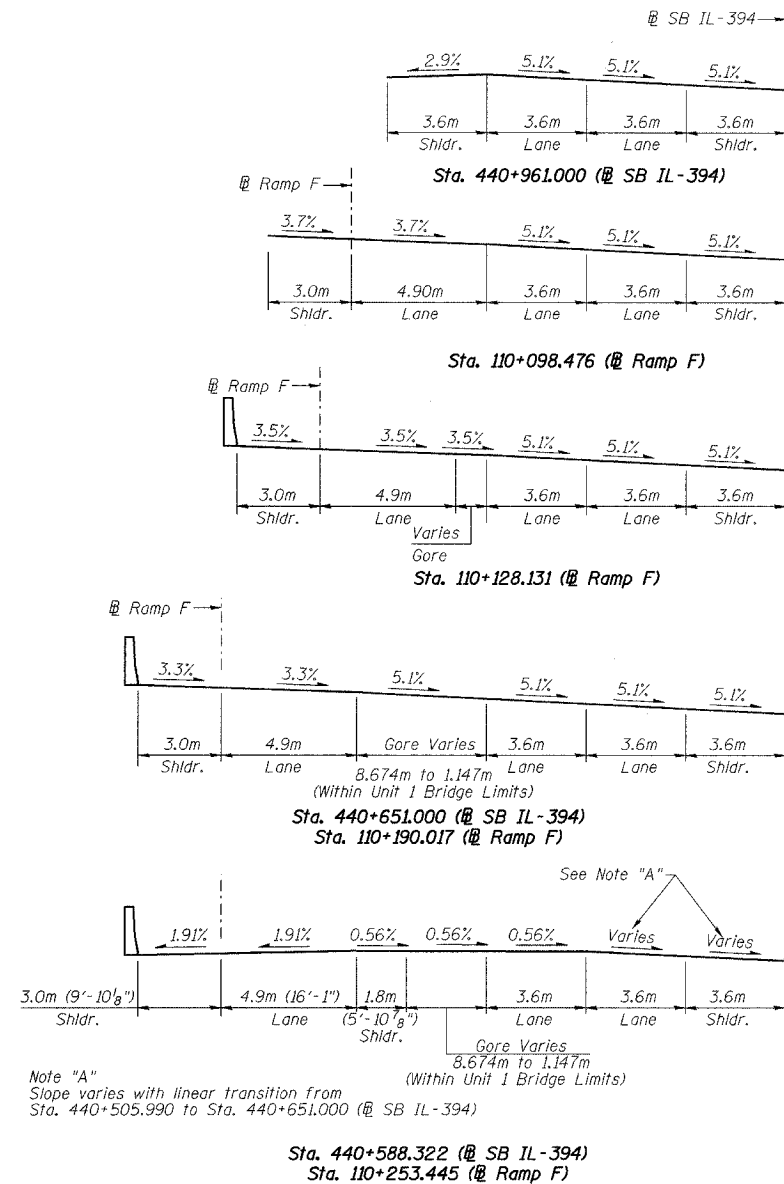


STATE OF ILLINOIS  
DEPARTMENT OF TRANSPORTATION

ROUTE NO.	SECTION	COUNTY	TOTAL SHEETS	SHEET NO.	SHEET NO. 16 42 SHEETS
F. A. I. 80/94	0203.1 0312 108WR-3	COOK	90	31	
FED. ROAD DIST. NO. 1		ILLINOIS	FED. AID PROJECT-		

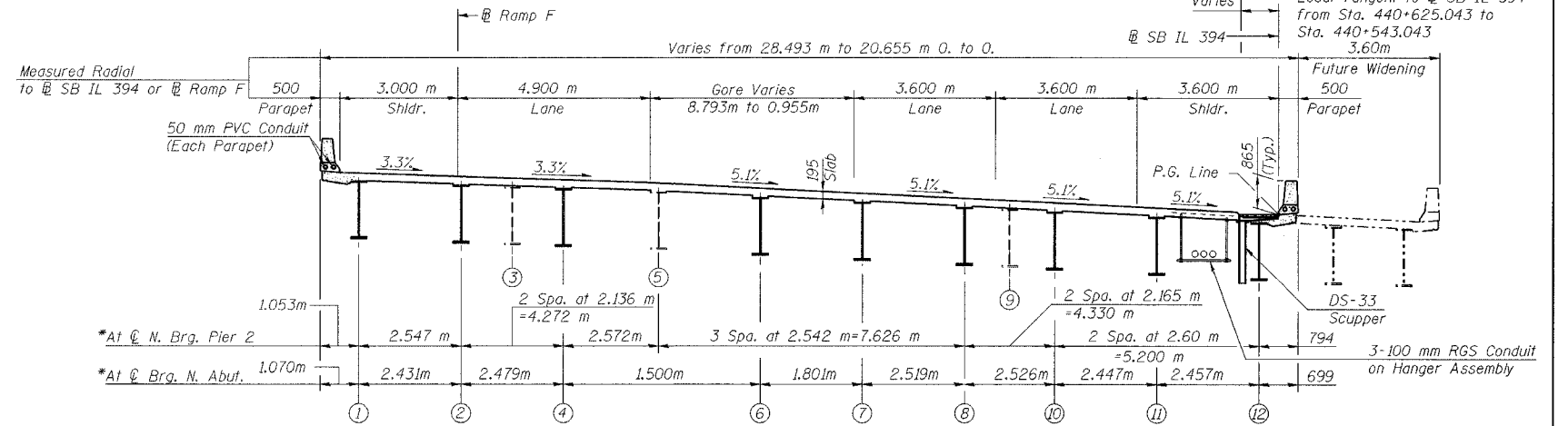
CONTRACT NO. 62898  
Workline 1  
Local Tangent to SB IL 394  
from Sta. 440+625.043 to  
Sta. 440+543.043  
3.60m



**CROSS SLOPE & SUPERELEVATION TRANSITION**  
(Looking North)

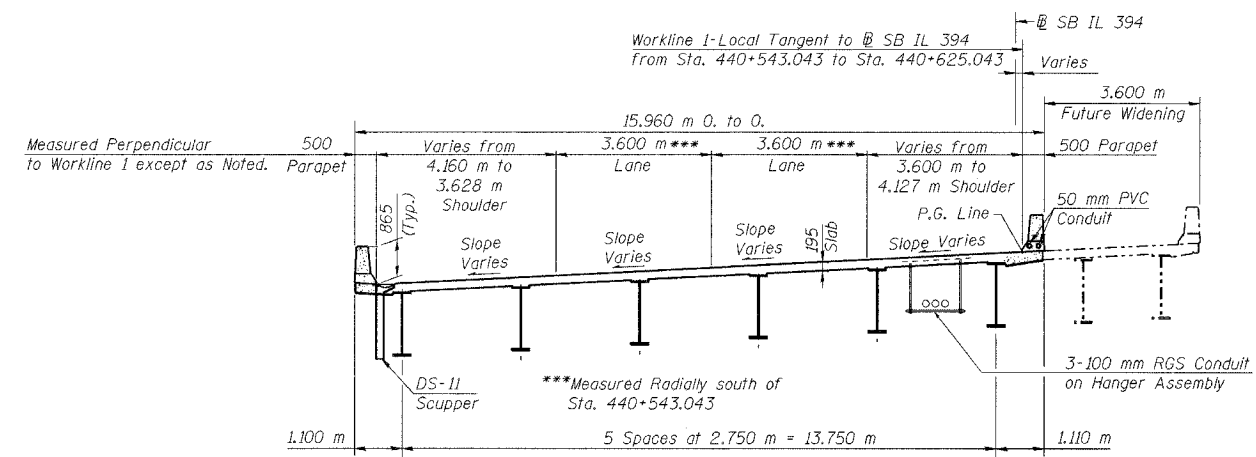
Lane and shoulder widths are measured along reference lines shown in cross sections.

DESIGNED	DD
CHECKED	PCA
DRAWN	LK/DCB
CHECKED	PCA

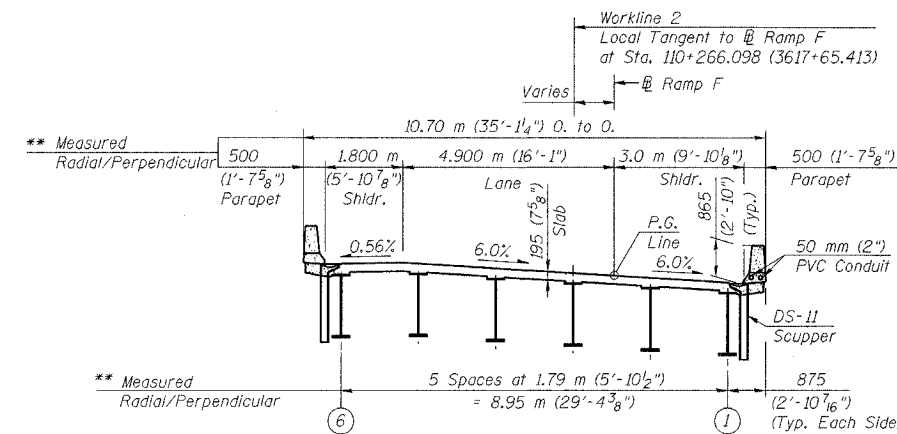


**CROSS SECTION - UNIT 1**  
(Looking Up Station)

Cross Slopes Shown at Sta. 440+651.000



**CROSS SECTION (SB IL 394) - UNIT 2**  
(Looking Up Station)



**CROSS SECTION (RAMP F) - UNIT 3**  
(Looking Up Station)

Cross Slopes Shown at, and South of, Sta. 110+286.000 (3618+30.709)  
\*\* to Ramp F Alignment

**THIS SHEET FOR  
INFORMATION ONLY**

**NOTES:**

- All dimensions are in millimeters (mm) except as noted.
- Dimensions and stations shown in parentheses are in English units.

ILLINOIS DEPARTMENT OF TRANSPORTATION  
I-94 EAST BOUND / IL 394 SOUTH BOUND  
**DECK CROSS SECTIONS &  
CROSS SLOPE TRANSITION**  
SB IL ROUTE 394 / RAMP F OVER THORN CREEK  
F.A.P. 332 SECTION 2004-133F  
COOK COUNTY  
STA. 440+704.350 STRUCTURE NO. 016-2800/2845  
DATE 05/16/05  
SCALE ---

**HNTB**

E:\34562\CADD\B1\SN\_2800\cda\CTR\_29\_2800\mal\90054a\_2800.dgn  
12-MAY-2005 15:25