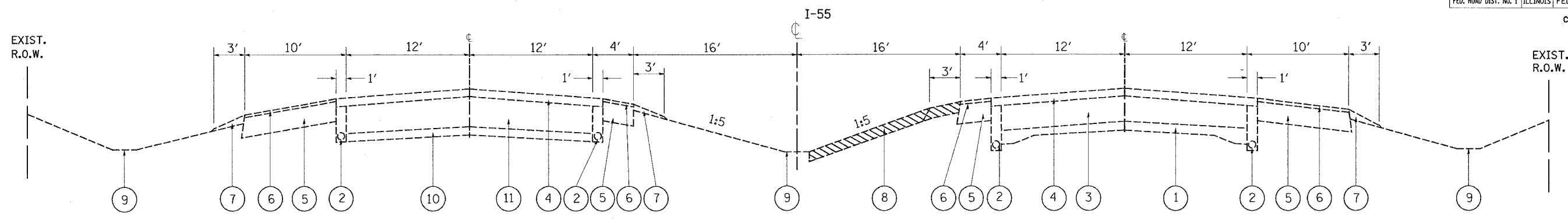
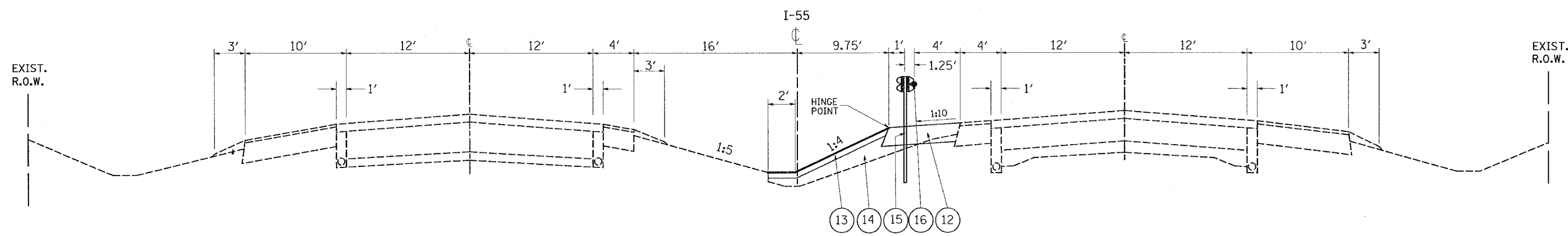


F.A.I. RTE.	SECTION	COUNTY	TOTAL SHEETS	SHEET NO.
55	2004-119 GRR	WILL	15	4
STA.		TO STA.		
FED. ROAD DIST. NO. 1		ILLINOIS FED. AID PROJECT		
CONTRACT 62885				



IL-55
EXISTING TYPICAL CROSS SECTION
STA 1475+84 TO STA 600+30



IL-55
PROPOSED TYPICAL CROSS SECTION
STA 1475+84 TO STA 600+30

LEGEND

- | | |
|--|---|
| ① EXISTING P.C.C. BASE COURSE 9" - 7" - 9" | ⑩ EXISTING SUB BASE GRANULAR MATERIAL, 4" |
| ② EXISTING PIPE UNDERDRAIN, 4" | ⑪ EXISTING P.C.C. PAVEMENT, 10" |
| ③ EXISTING BIT. CONC. BINDER COURSE, 16" | ⑫ PROPOSED AGGREGATE SHOULDERS, TYPE A, 12" |
| ④ EXISTING BIT. CONC. SURFACE COURSE, ±5" | ⑬ PROPOSED -TOPSOIL FURNISH AND PLACE, 4'
-SEEDING, CLASS 2A
-EROSION CONTROL BLANKET |
| ⑤ EXISTING BITUMINOUS SHOULDER, 12½" | ⑭ PROPOSED FURNISHED EXCAVATION |
| ⑥ EXISTING BITUMINOUS CONC. SURFACE COURSE, 1½" | ⑮ PROPOSED STEEL PLATE BEAM GUARDRAIL, TYPE D (SPECIAL) |
| ⑦ EXISTING AGGREGATE SHOULDER, TYPE B (6") | ⑯ PROPOSED GUARDRAIL MARKERS |
| ⑧ EXISTING AGGREGATE SHOULDER, TYPE B (6") & TOP SOIL (6") TO BE REMOVED (PAID AS REMOVAL AND DISPOSAL OF UNSUITABLE MATERIAL) | |
| ⑨ EXISTING GROUND DITCH | |

REVISIONS	
NAME	DATE

ILLINOIS DEPARTMENT OF TRANSPORTATION
INTERSTATE 55
EXISTING AND PROPOSED TYPICAL SECTION
SCALE : NONE
5/25/2005
DRAWN BY: RK
CHECKED BY: IR

13:07:14 05/25/2005