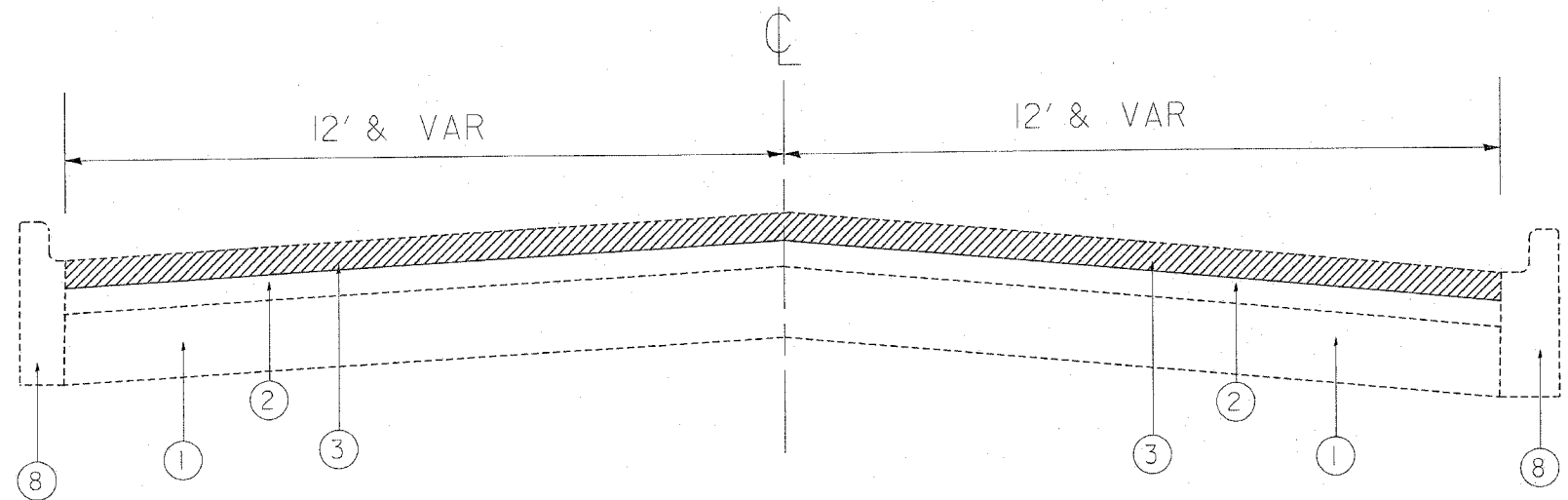
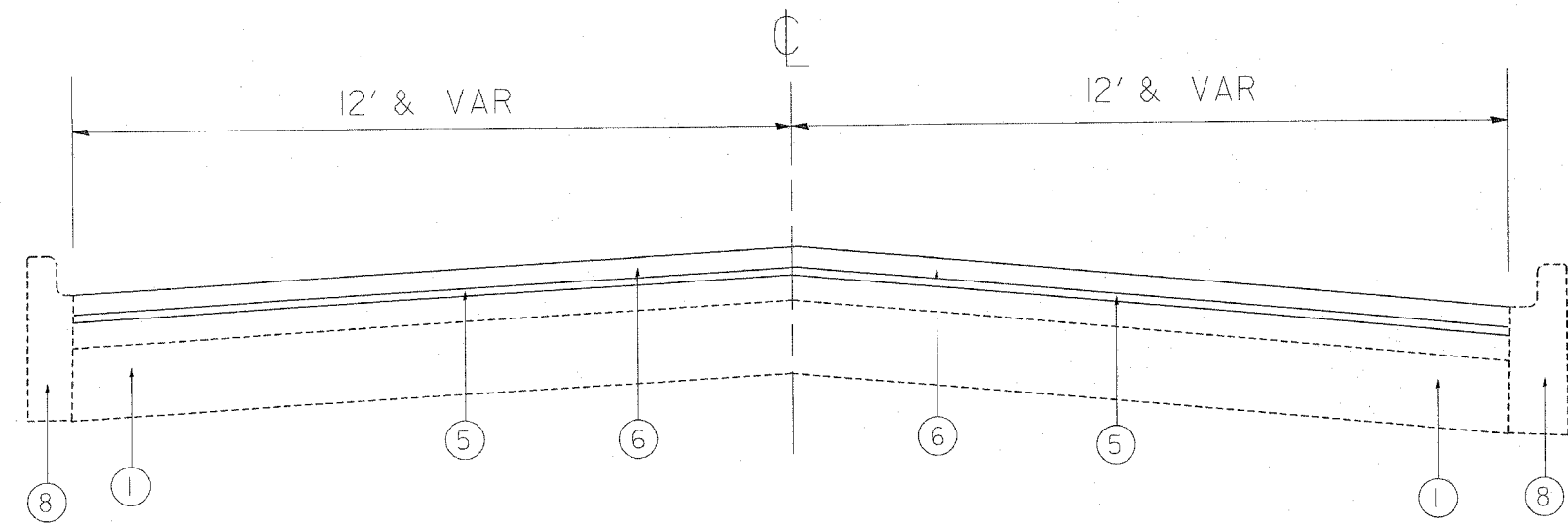


F.A.W. RTE.	SECTION	COUNTY	TOTAL SHEETS	SHEET NO.
1587	309B RS-4	COOK	32	6
STA.		TO STA.		
FED. ROAD DIST. NO.		ILLINOIS	FED. AID PROJECT	
CONTRACT NO. 62923				



MCCARTHY RD.
EXISTING TYPICAL SECTION
STA. 546+90 TO STA. 559+66



MCCARTHY RD.
PROPOSED TYPICAL SECTION
STA. 546+90 TO STA. 559+66

LEGEND

- ① EXISTING PCC BASE COURSE, 9"
- ② EXISTING BITUMINOUS SURFACE OVERLAY
- ③ PROPOSED BITUMINOUS SURFACE REMOVAL, 2 1/4 "
- ④ EXISTING AGGREGATE SHOULDERS
- ⑤ PROPOSED POLYMERIZED LEVELING BINDER (MACHINE METHOD), SUPERPAVE, IL 4.75 N50
- ⑥ PROPOSED BITUMINOUS CONCRETE SURFACE COURSE, SUPERPAVE, MIX "D", N70, 1 1/2 "
- ⑦ PROPOSED AGGREGATE SHOULDERS TYPE B
- ⑧ EXISTING COMB. CONC. CURB AND GUTTER
- ⑨ EXISTING BITUMINOUS SURFACE REMOVAL, 1"
- ⑩ PROPOSED LEVELING BINDER (MACHINE METHOD), SUPERPAVE N70, 1 1/2"

REVISIONS	
NAME	DATE

ILLINOIS DEPARTMENT OF TRANSPORTATION
**EXISTING & PROPOSED
TYPICAL SECTIONS PLAN**

SCALE: VERT. NONE
HORIZ. DATE
DRAWN BY JA
CHECKED BY