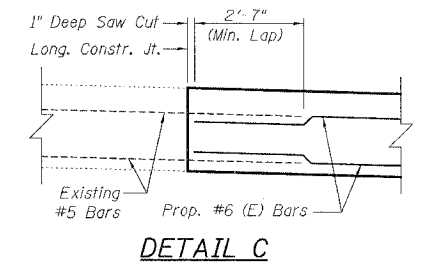
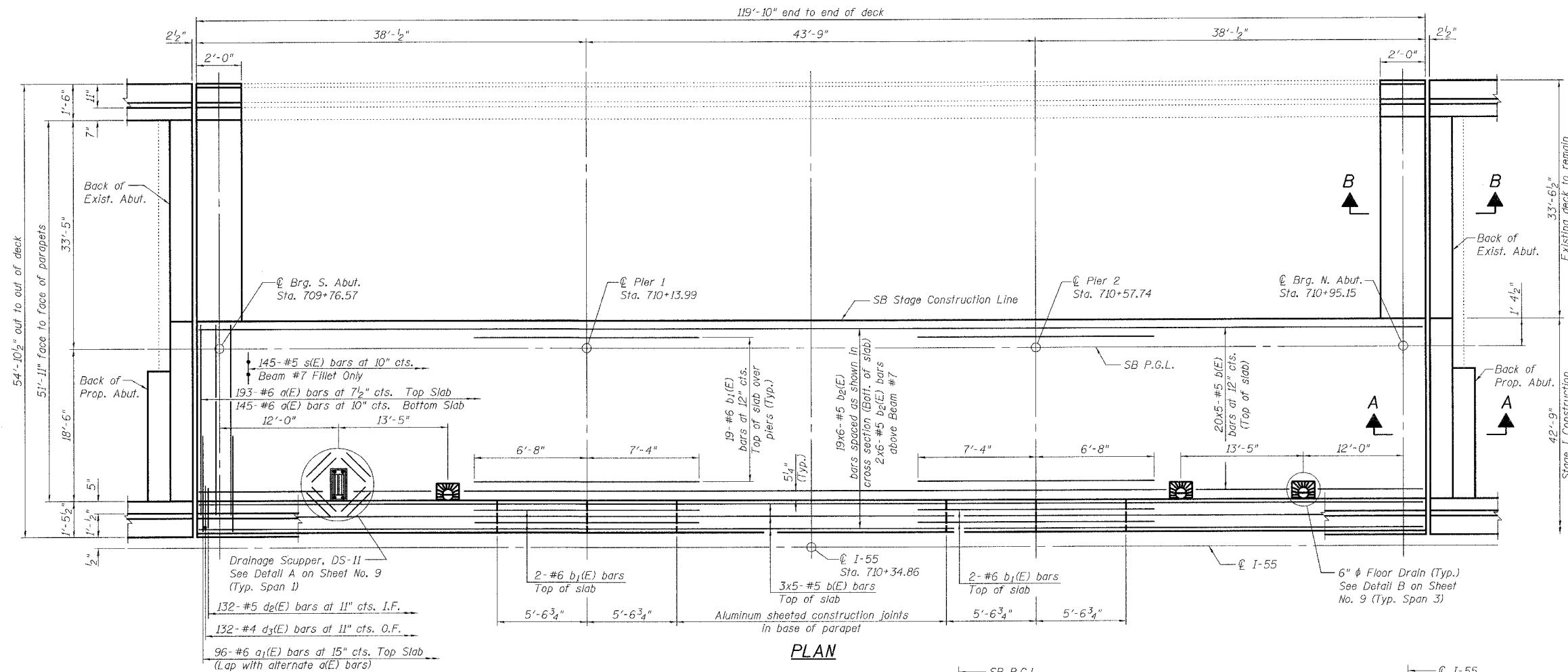


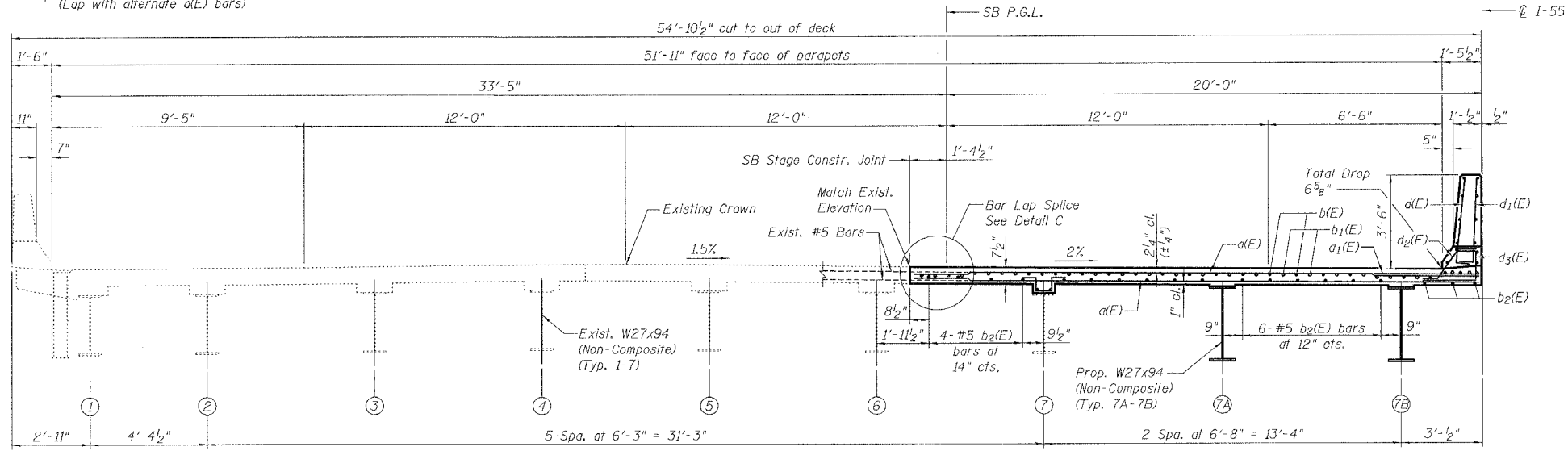
STATE OF ILLINOIS  
DEPARTMENT OF TRANSPORTATION

ROUTE NO.	SECTION	COUNTY	SHEETS	SHEET NO.	SHEET NO. 13
FAI-55	**	WILL	50	50	13 SHEETS
FED. ROAD DIST. NO. 7	ILLINOIS	FED. AID PROJECT			

\*\* SECTION 2005-063 I  
CONTRACT NO. 60A67



Note:  
Remove existing concrete to expose a minimum of 2'-7" of the existing top and bottom bars.



- Notes:
- See Sheet No. 10 for superstructure details and Bill of Material.
  - Reinforcement bars designated (E) shall be epoxy coated.
  - Bars indicated thus 19 x 6- #5 etc. indicates 19 lines of bars with 6 lengths per line.
  - See Sheet No. 9 for parapet reinforcement.
  - Work this sheet with Sheet Nos. 7, 9 & 10.

DESIGNED	S.CHELBIAN
CHECKED	J.GRAINAWI
DRAWN	S.CHELBIAN
CHECKED	J.GRAINAWI

Date: 5/15/2006

FOR INFORMATION ONLY



SB DECK PLAN & SECTION  
I-55 OVER MS (ABANDONED) R.R.  
FAI ROUTE 55-SEC. 2005-063 I  
WILL COUNTY  
STA. 710+34.86  
STRUCTURE NO. 099-0023 (SB)