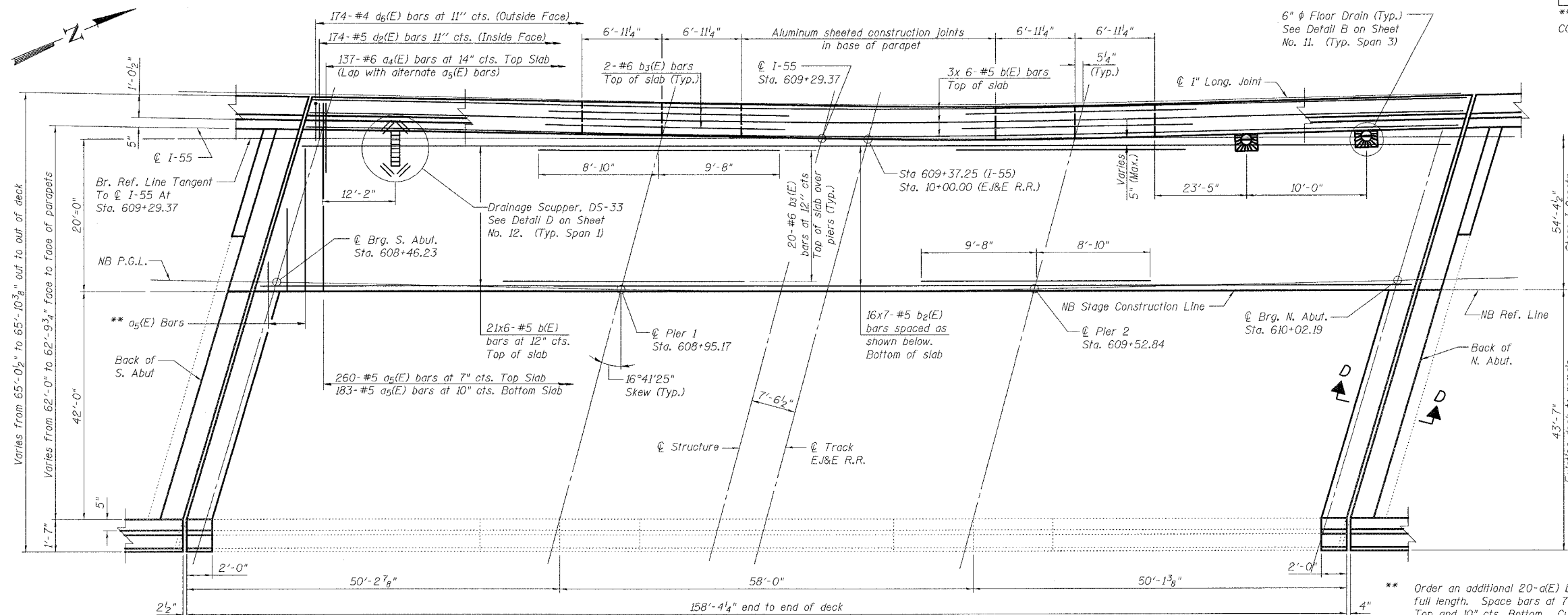


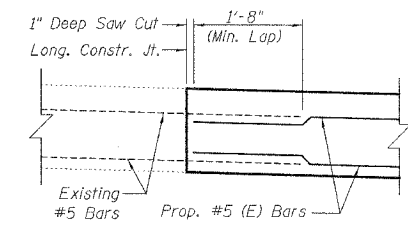
STATE OF ILLINOIS  
DEPARTMENT OF TRANSPORTATION

ROUTE NO.	SECTION	COUNTY	SHEET	SHEET NO.
FAI-55	**	WILL	50	37
FED. ROAD DIST. NO. 7		ILLINOIS	FED. AID PROJECT-	

\*\* SECTION 2005-063 I  
CONTRACT NO. 60A67



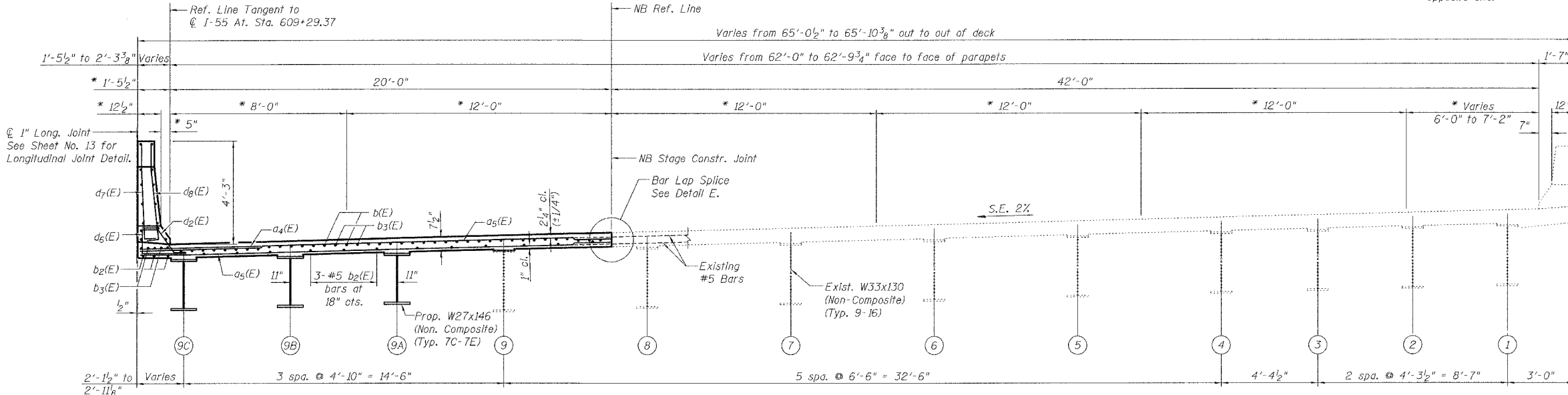
PLAN



DETAIL E

Note:  
Remove existing concrete to expose a minimum of 1'-8" of the existing top and bottom bars.

\*\* Order an additional 20-a(E) bars full length. Space bars at 7" cts. Top and 10" cts. Bottom. Cut to fit skew and use remainder of bars in opposite end.



CROSS SECTION  
(Looking North)

- Notes:
1. See Sheet No. 12 for superstructure details, parapet reinforcement, and Bill of Material.
  2. Reinforcement bars designated (E) shall be epoxy coated.
  3. Bars indicated thus 16 x 7-#5 etc. indicates 16 lines of bars with 7 lengths per line.
  4. Work this sheet with Sheet Nos. 9, 11 & 12.

DESIGNED	S.CHELBIAN
CHECKED	J.GRAINAWI
DRAWN	S.CHELBIAN
CHECKED	J.GRAINAWI

\* Designates radial dimensions normal to  $\phi$  I-55.

FOR INFORMATION ONLY



NB DECK PLAN AND SECTION  
I-55 OVER EJ&E R.R.  
FAI ROUTE 55-SEC. 2005-063 I  
WILL COUNTY  
STA. 609+29.37  
STRUCTURE NO. 099-0018 (NB)

Date: 5/15/2006