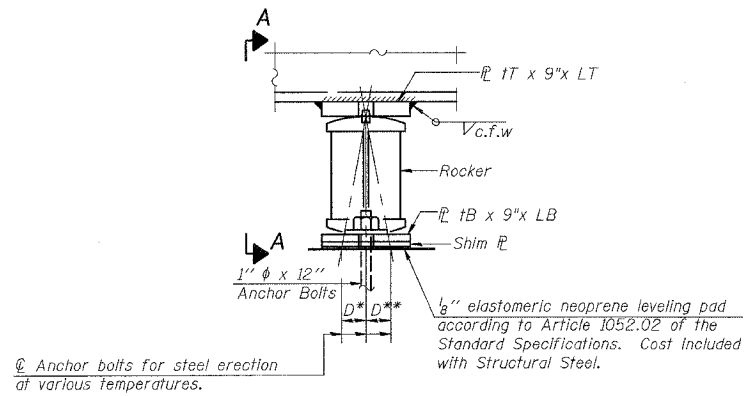


STATE OF ILLINOIS  
DEPARTMENT OF TRANSPORTATION

ROUTE NO.	SECTION	COUNTY	TOTAL SHEETS	SHEET NO.
FAI-55	**	WILL	50	32
FED. ROAD DIST. NO. 7	ILLINOIS	FED. AID PROJECT-		

SHEET NO. 10  
15 SHEETS

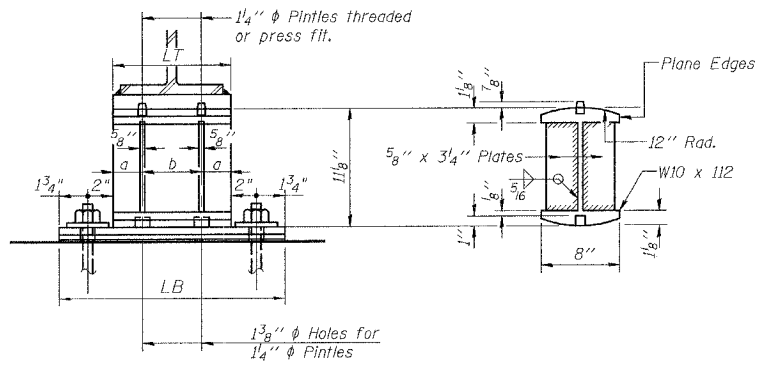
\*\* SECTION 2005-063 I  
CONTRACT NO. 60A67



**ELEVATION AT PIER 2 (SB)**  
(5 Req'd)

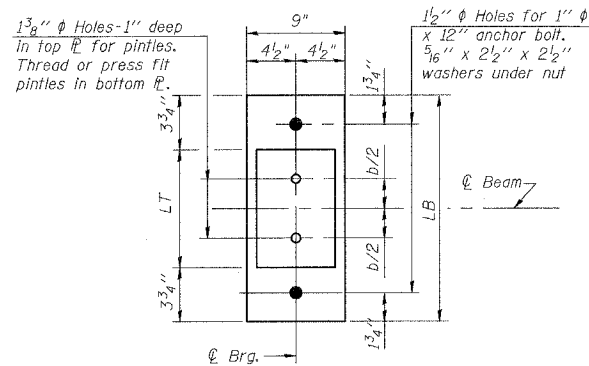
\*  $D = \frac{1}{8}$ " / 100 ft. of exp. for every 15° below the normal temp. of 50°F.

\*\*  $D = \frac{1}{8}$ " / 100 ft. of exp. for every 15° above the normal temp. of 50°F.

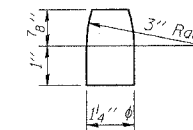


**SECTION A-A**

**DETAIL OF ROCKER**



**PLAN**



**DETAIL OF PINTLE**

Note:  
1. See sheet 13 for anchor bolt installation. Anchor bolts at fixed bearings may be built into the masonry.

BEAM	LT	LB	1T	1B	a	b	c.f.w.	Total No. Req'd
W33X130	12 1/2"	20"	1 3/8"	1 3/4"	3"	6 1/2"	1/2"	2
W27X146	15 1/2"	24"	1 3/4"	1 7/8"	2 1/4"	2 @ 5 1/2"	5/8"	3

DESIGNED	J. ZUO
CHECKED	J. GRAINAWI
DRAWN	J. ZUO
CHECKED	J. GRAINAWI

Date: 5/15/2006

**STRUCTURAL STEEL DETAILS III**  
I-55 OVER EJE R.R.  
FAI ROUTE 55-SEC. 2005-063 I  
WILL COUNTY  
STA. 609+29.37  
STRUCTURE NO. 009-0018 (NB)  
STRUCTURE NO. 009-0019 (SB)

