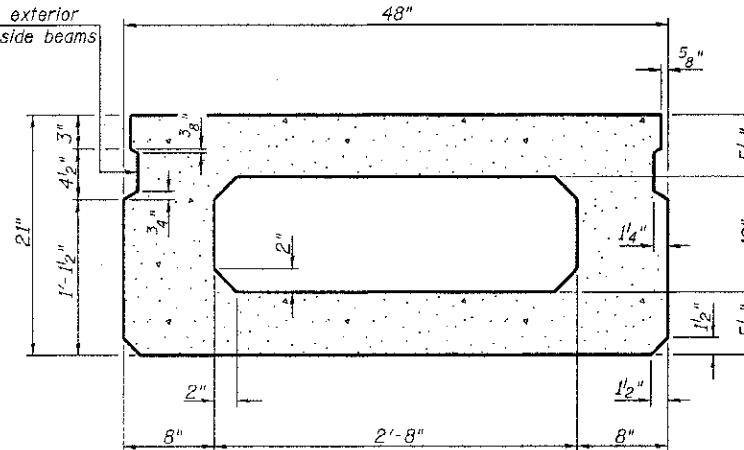
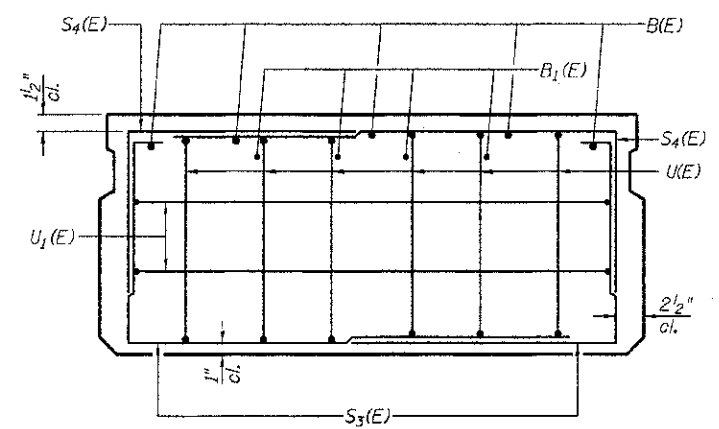


**SECTION A-A**

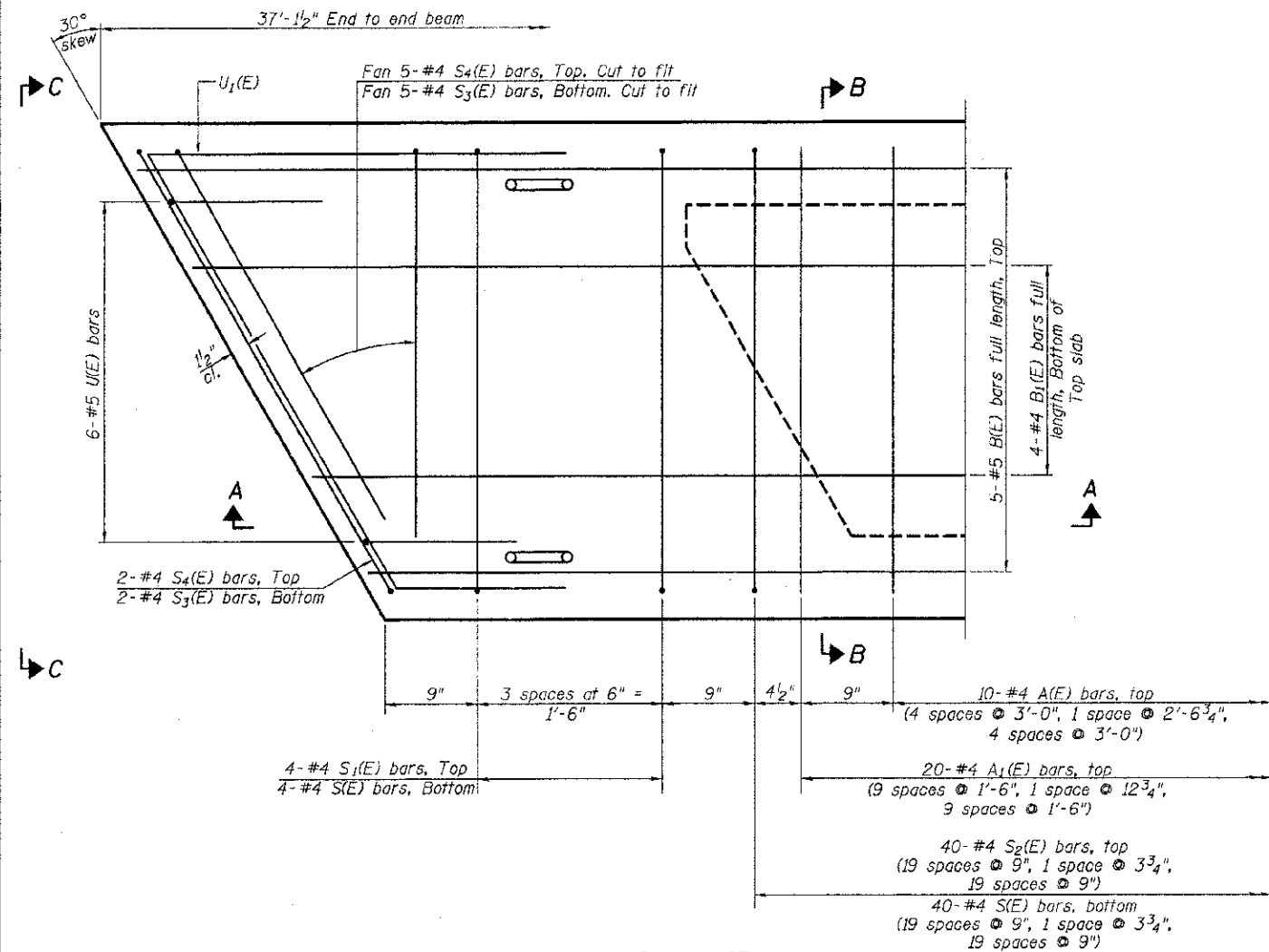
Omit key on exterior face of outside beams



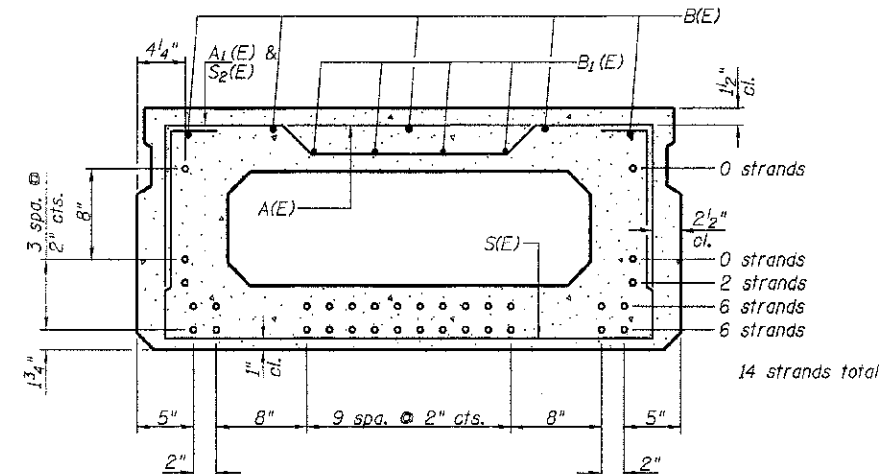
**SECTION B-B**  
(Showing dimensions)



**VIEW C-C**



**PLAN VIEW**



**SECTION B-B**

(Showing reinforcement and permissible strand locations)

Note: Place the number of strands specified in each row symmetrically about the centerline of beam in the permissible strand locations shown.

**MINIMUM BAR LAP**

#4 bar = 2'-0"  
#5 bar = 2'-6"

**BAR LIST**  
**ONE BEAM ONLY**  
(For information only)

Bar	No.	Size	Length	Shape
A(E)	10	#4	3'-7"	—
A1(E)	20	#4	3'-10"	—
B(E)	5	#5	36'-9"	—
B1(E)	4	#4	36'-9"	—
D(E)	32	#4	2'-9"	⌊
S(E)	48	#4	7'-5"	⌊
S1(E)	8	#4	5'-11"	⌊
S2(E)	40	#4	6'-2"	⌊
S3(E)	14	#4	4'-9"	⌊
S4(E)	14	#4	4'-0"	⌊
U(E)	12	#5	4'-0"	⌊
U1(E)	4	#4	4'-0"	⌊

Note: See Sheet 7 for additional details and Bill of Material.

Note: Spacing of S(E) and S2(E) bars may be adjusted up to 4" in the immediate area of the transverse tie diaphragms to miss the block cuts for the transverse ties.