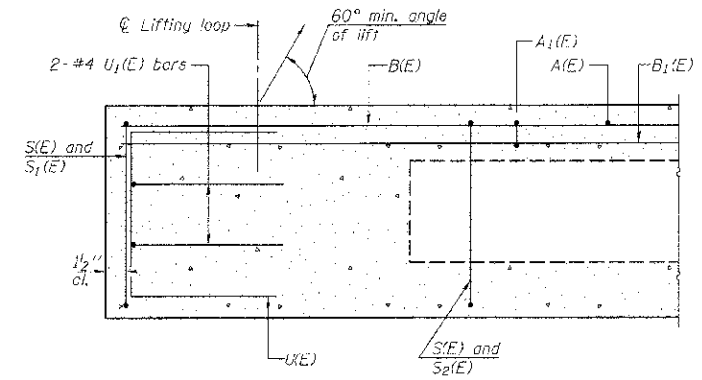
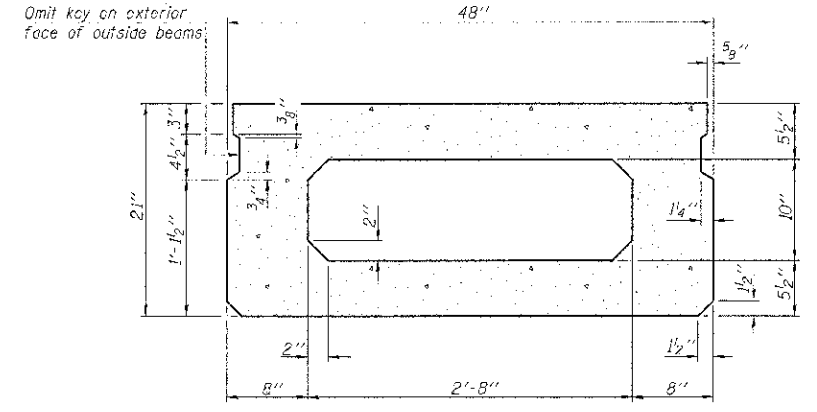


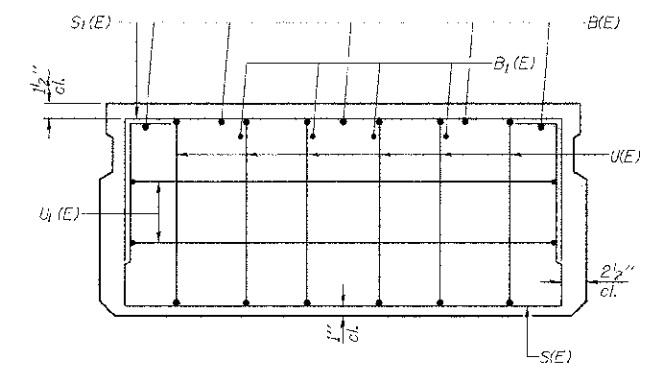
ROUTE NO.	SECTION	COUNTY	TOTAL SHEETS	SHEET NO.
T.R. 56	05-07/61-00-BR	MACON	16	12
FED. ROAD DIST. NO.		ILLINOIS PROJECT: BROS-0115(068)	CONTRACT NO. 95686	



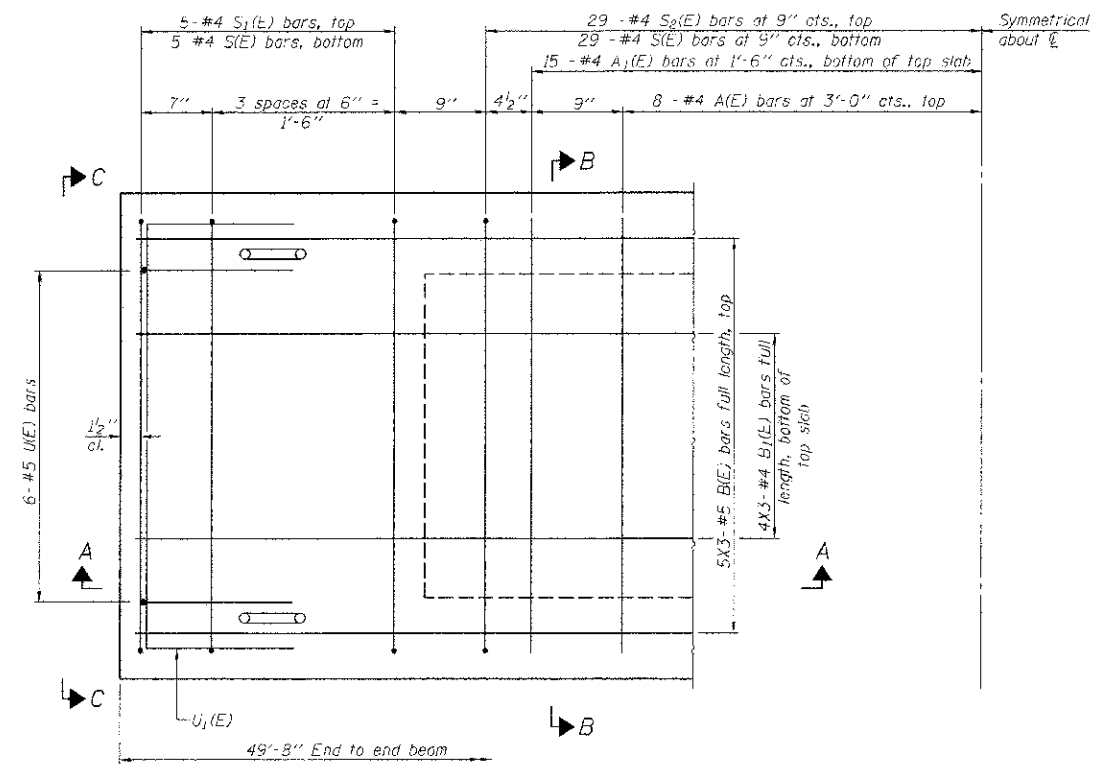
SECTION A-A



SECTION B-B  
(Showing dimensions)

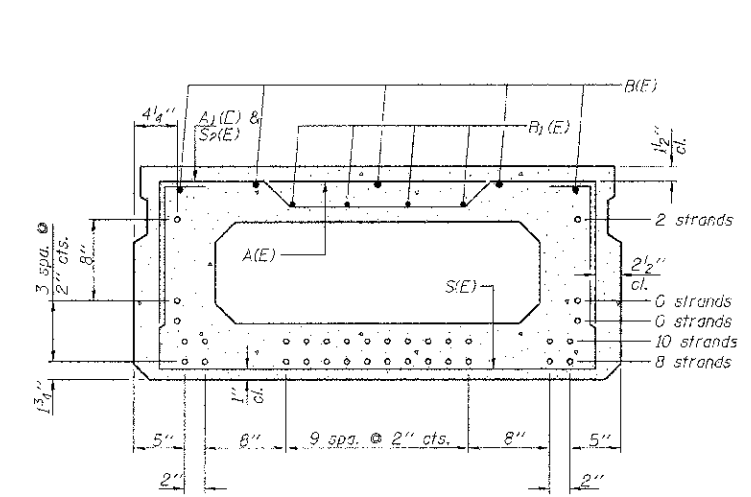


VIEW C-C



PLAN VIEW

Note: Spacing of S1(E) and S2(E) bars may be adjusted up to 4" in the immediate area of the transverse tie diaphragms to miss the block outs for the transverse ties.



SECTION B-B

(Showing reinforcement and permissible strand locations)  
Note: Place the number of strands specified in each row symmetrically about the centerline of beam in the permissible strand locations shown.

BAR LIST  
ONE BEAM ONLY  
(For Information Only)

Bar	No.	Size	Length	Shape
A1(E)	15	#4	3'-7"	—
A1(E)	30	#4	3'-10"	—
B1(E)	15	#5	18'-2"	—
B1(E)	12	#4	17'-10"	—
S1(E)	69	#4	7'-5"	□
S1(E)	10	#4	5'-11"	□
S2(E)	59	#4	6'-2"	□
U1(E)	12	#5	4'-0"	□
U1(E)	4	#4	6'-0"	□

Note: See sheet 3 of 6 for additional details and Bill of Material.  
Bars indicated thus 4x3-#4 etc. indicates 4 lines of bars with 3 lengths per line.

MINIMUM BAR LAP

- #4 bar = 2'-0"
- #5 bar = 2'-6"

21" X 48" PPC DECK BEAM			
Date	Designed: MJP	T.R. 56 OVER UNNAMED DRAINAGE DITCH SECTION 05-07/61-00-BR MACON COUNTY STA. 15+05.80 PROP. STR. NO. 058-3382	Sheet No.
Revisions	Drawn: BKN		2
	Checked: KW3		
	Approved: KW3		
Prepared by:	URS 345 East Ash Avenue Decatur, IL 62526		URS Job No. 36431683