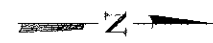
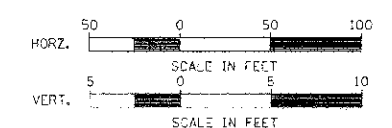
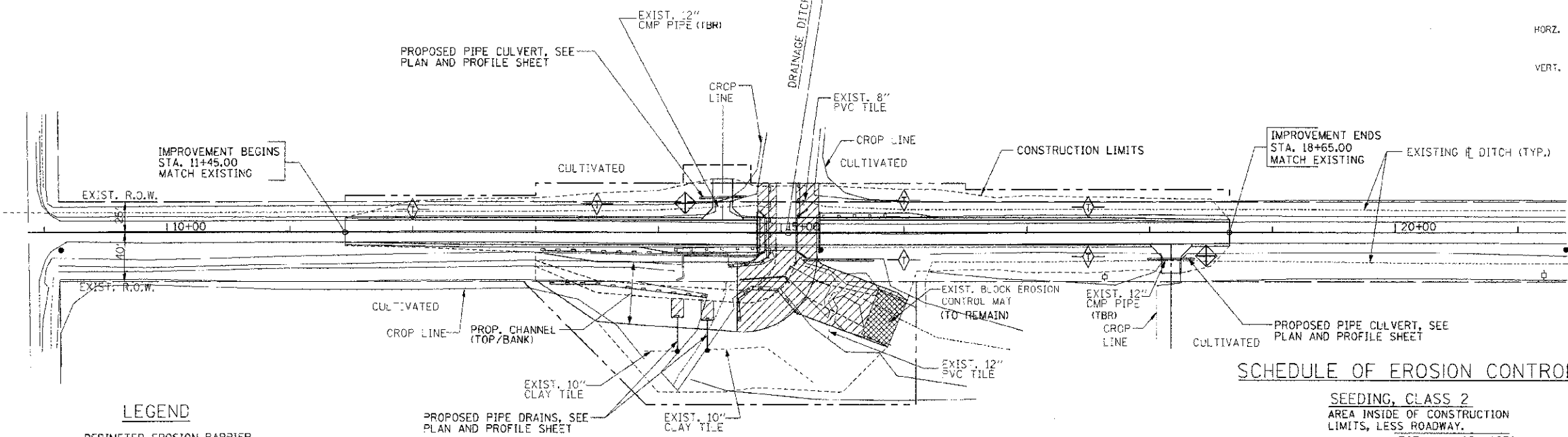


RTE.	SECTION	COUNTY	TOTAL SHEETS	SHEET NO.
I.R. 55	05-07161-00-BR	MACON	16	10
STA. 8+86.83 TO STA. 21+39.00				
FED. ROAD DIST. NO.		ILLINOIS PROJECT: BR05-01508R		

CONTRACT NO. 95686



STA. 15+05.80 SPECIAL BRIDGE DESIGN
 PRECAST PRESTRESSED CONCRETE DECK
 BEAM BRIDGE, SINGLE SPAN AT 48'-6"
 51'-4" BK.-BK. ABUTMENTS, 24'-0" F.-F.
 RAILING, NO SKEW.



STORM WATER POLLUTION PREVENTION PLAN

DESCRIPTION OF INTENDED SEQUENCE FOR MAJOR CONSTRUCTION ACTIVITIES:

1. REMOVAL OF EXISTING STRUCTURE.
2. EXCAVATION WILL BE COMPLETED ALONG THE ENTIRE LENGTH OF THE JOB TO REMOVE THE EXISTING ROADWAY AND GRADE THE PROPOSED DITCHES.
3. NECESSARY EMBANKMENT WILL BE PLACED ALONG THE ENTIRE LENGTH OF THE JOB FOR THE PROPOSED ROADWAY.
4. PLACEMENT, MAINTENANCE, REMOVAL AND PROPER CLEAN-UP OF TEMPORARY EROSION CONTROL ITEMS, SUCH AS PERIMETER EROSION BARRIER, AGGREGATE DITCH CHECKS, TEMPORARY SEEDING AND OTHER MISCELLANEOUS EROSION CONTROL MEASURES.
5. CONSTRUCT NEW BRIDGE SUBSTRUCTURE UNITS.
6. PLACEMENT OF PERMANENT EROSION CONTROL ITEMS, INCLUDING RIPRAP AND SEEDING.
7. CONSTRUCT NEW BRIDGE SUPERSTRUCTURE AND APPROACH ROADWAY.
8. FINAL GRADING AND OTHER MISCELLANEOUS ITEMS.

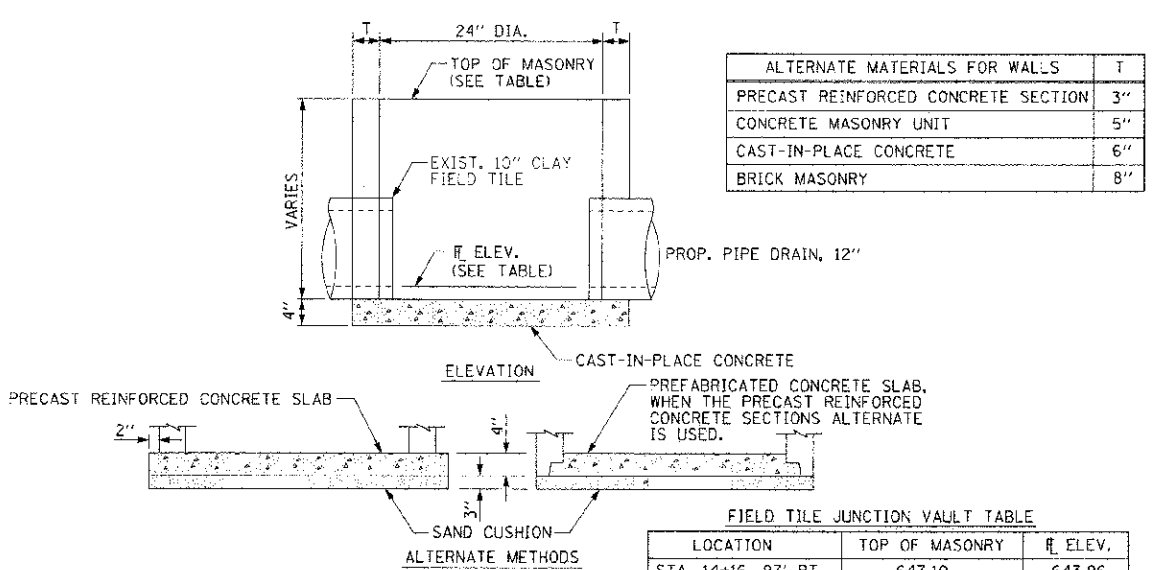
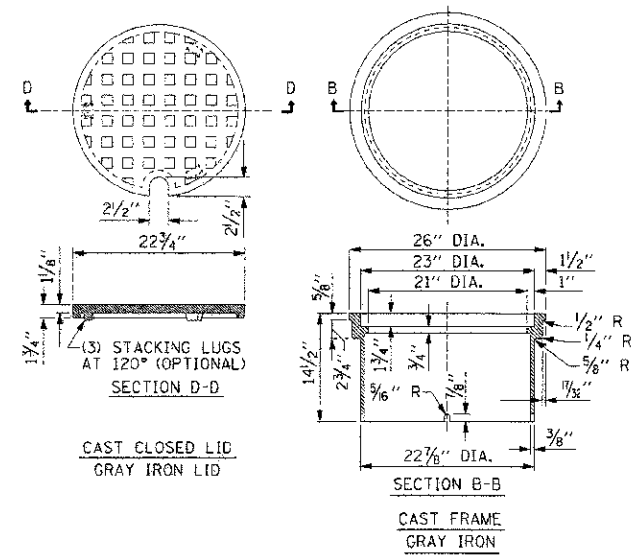
SCHEDULE OF EROSION CONTROL QUANTITIES

- SEEDING, CLASS 2**
 AREA INSIDE OF CONSTRUCTION LIMITS, LESS ROADWAY.
 TOTAL = 1.25 ACRES
- NITROGEN FERTILIZER NUTRIENT**
 TOTAL = 113 POUNDS
- PHOSPHORUS FERTILIZER NUTRIENT**
 TOTAL = 113 POUNDS
- POTASSIUM FERTILIZER NUTRIENT**
 TOTAL = 113 POUNDS
- MULCH, METHOD 2**
 TOTAL = 1.25 ACRES
- EARTH EXCAVATION FOR EROSION CONTROL**
 TOTAL = 9.0 CU. YD.
- TEMPORARY EROSION CONTROL SEEDING**
 100 LBS/ACRE X 1.25 ACRES = 125 POUNDS
- AGGREGATE DITCH CHECK (SEE NOTE, THIS SHEET)**
 STA. 12+00, LT. = 1 TON
 STA. 13+50, LT. = 1 TON
 STA. 16+00, LT. & RT. = 2 TON
 STA. 17+50, LT. & RT. = 2 TON
 TOTAL = 6 TON
- PERIMETER EROSION BARRIER**
 TO BE CONSTRUCTED AT LOCATIONS SHOWN ON PLANS. LAYOUT MAY VARY AS DIRECTED BY THE ENGINEER.
 TOTAL = 480 FOOT
- INLET AND PIPE PROTECTION**
 27.9' LT., STA. 14+31.50 = 1 EACH
 21.3' RT., STA. 18+38.40 = 1 EACH
 TOTAL = 2 EACH
- STONE RIPRAP, CLASS A4**
 BRIDGE ABUT. SLOPES & DOWNSTREAM = 239 SQ YD
 UPSTREAM CHANNEL BEND = 413 SQ YD
 NEAR EXIST. BLOCK EROSION MAT = 293 SQ YD
 STA. 14+16, 15' X 10', PIPE DRAIN OUTLET = 17 SQ YD
 STA. 14+40, 15' X 10', PIPE DRAIN OUTLET = 17 SQ YD
 TOTAL = 979 SQ YD
- FILTER FABRIC (SEE NOTE, THIS SHEET)**
 TOTAL = 979 SQ YD

- #### LEGEND
- PERIMETER EROSION BARRIER
 - AGGREGATE DITCH CHECK (TYP.) (SEE STD. 280001)
 - TEMPORARY PIPE PROTECTION
 - LIMITS OF STONE RIPRAP, CLASS A4
 - LIMITS OF EXISTING BLOCK EROSION CONTROL MAT

NOTE:

FILTER FABRIC REQUIRED FOR AGGREGATE DITCH CHECKS PER STANDARD 280001 SHALL BE INCLUDED IN THE COST OF AGGREGATE DITCH CHECKS.



ALTERNATE MATERIALS FOR WALLS	T
PRECAST REINFORCED CONCRETE SECTION	3"
CONCRETE MASONRY UNIT	5"
CAST-IN-PLACE CONCRETE	6"
BRICK MASONRY	8"

LOCATION	TOP OF MASONRY	R. ELEV.
STA. 14+16, 97' RT.	647.10	643.96
STA. 14+40, 96' RT.	646.85	643.96

STORM WATER POLLUTION PREVENTION AND EROSION CONTROL PLAN