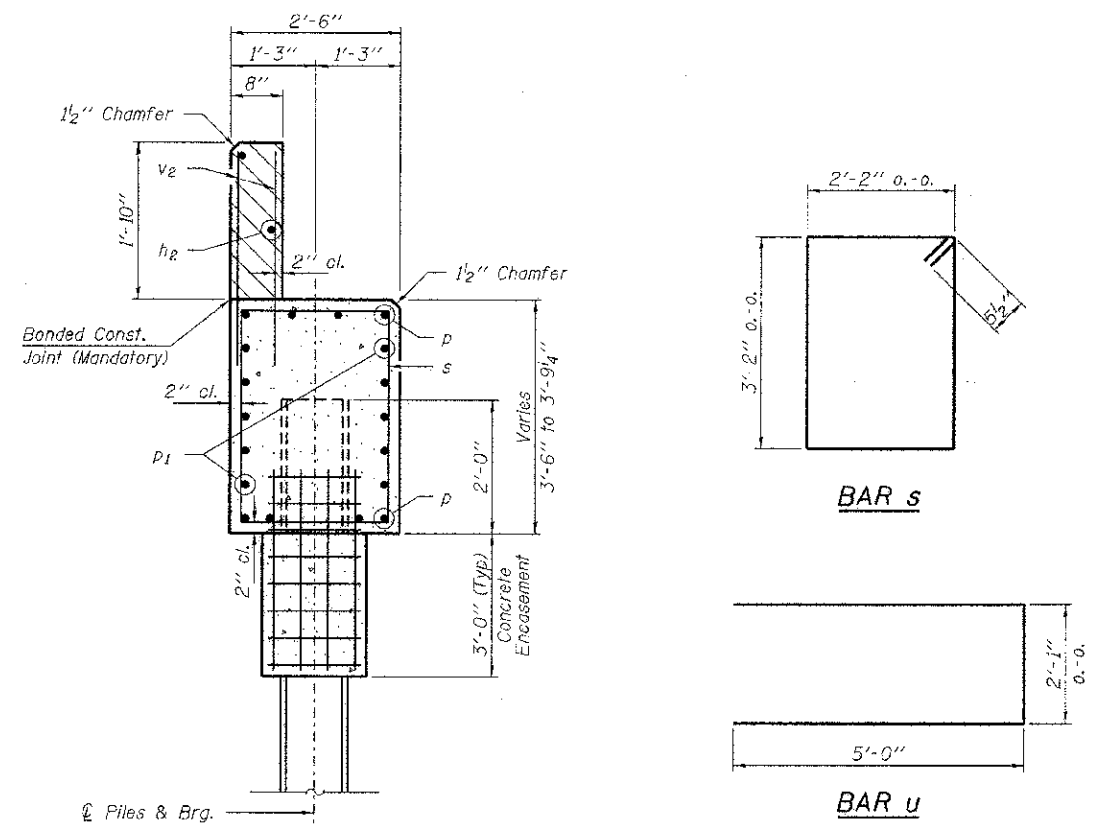
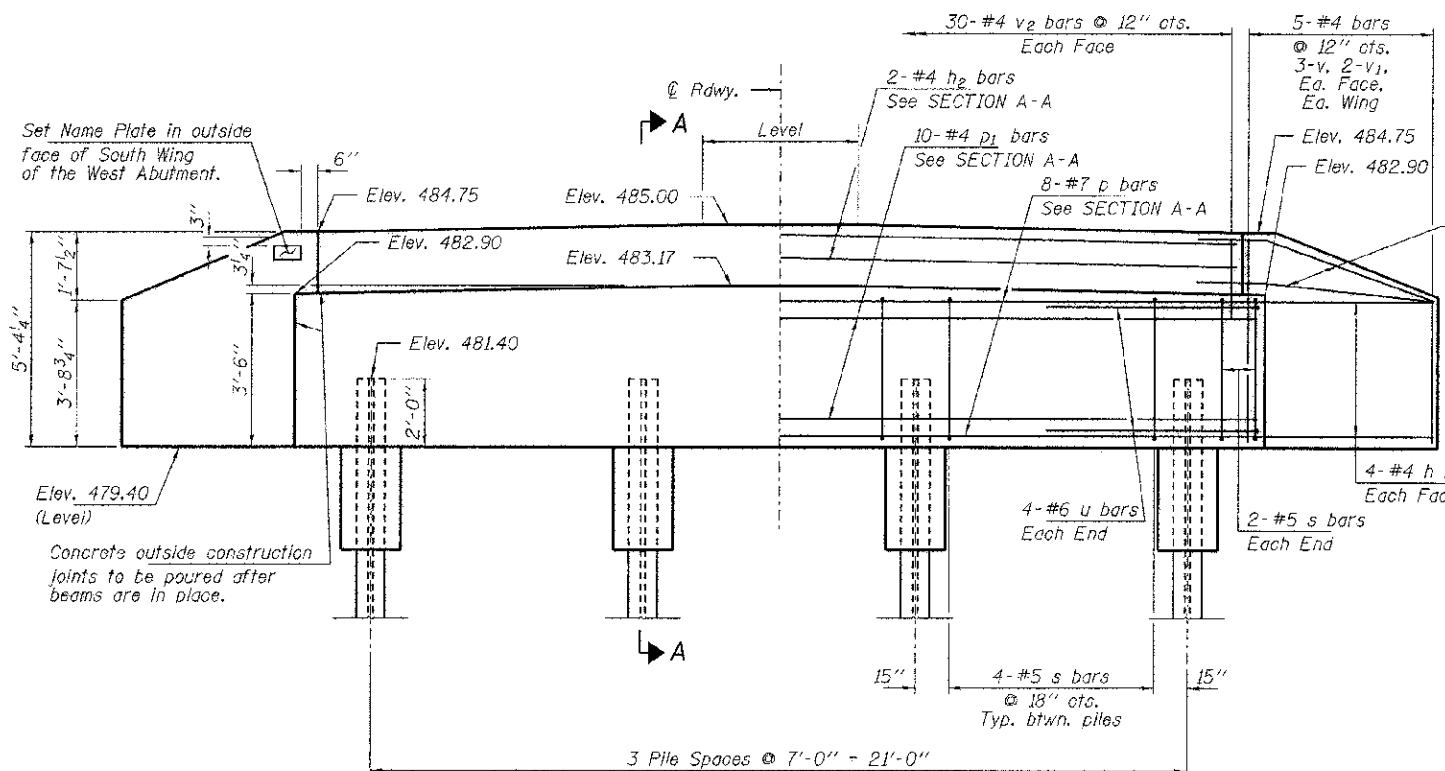


PLAN



SECTION A-A

Hatched area to be poured after beams are in place.



ELEVATION

Note: Extend h bars into abutment cap.

Fan 2-#4 h bars (B.F.)
Fan 2-#4 h1 bars (F.F.)
Each Wing
Bend in field.

PILE DATA

Type ----- Steel HP10x42
No. Req'd. (2 Abuts.) ----- 8
Factored Resistance Available (Rf) ----- 184 Kips/Pile
Nominal Required Bearing (Rn) ----- 335 Kips/Pile
Est. Length ----- 50 Ft./Pile

Notes: * Includes one test pile to be driven in permanent locations at the West Abutment.

The test piles shall be driven to 110 percent of the Nominal Required Bearing indicated in the pile data information.

BILL OF MATERIAL - 2 ABUTS.

BAR	NO.	SIZE	LENGTH	SHAPE	
h	40	#4	5'-6"	—	
h1	8	#4	4'-0"	—	
h2	4	#4	29'-2"	—	
p	16	#7	29'-2"	—	
p1	20	#4	29'-2"	—	
s	32	#5	11'-7"	□	
u	16	#6	12'-1"	—	
v	24	#4	4'-5"	—	
v1	16	#4	3'-5"	—	
v2	120	#4	2'-8"	—	
Concrete Structures				Cu. Yd.	25.2
Concrete Encasement				Cu. Yd.	2.8
Reinforcement Bars				Pound	2,590
Steel Piles HP10x42				Foot	350
Test Pile Steel HP10x42				Each	1
Name Plates				Each	1