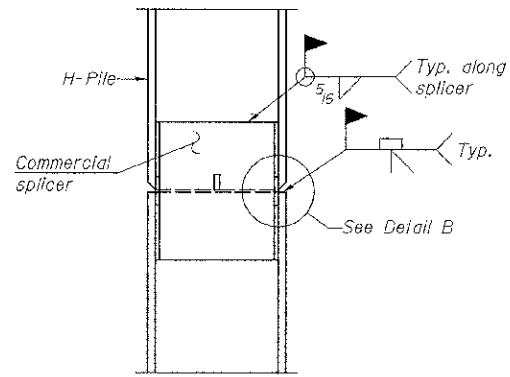


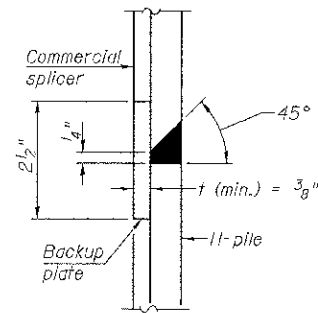
STEEL PILE TABLE

Designation	Depth d	Flange width b _f	Web and Flange thickness t	Encasement diameter
HP 14x117	14 1/4"	14 1/8"	1 3/16"	30"
x102	14"	14 3/4"	1 1/16"	30"
x89	13 7/8"	14 3/4"	5/8"	30"
x73	13 5/8"	14 5/8"	1/2"	30"
HP 12x84	12 1/4"	12 1/4"	1 1/16"	24"
x74	12 1/8"	12 1/4"	5/8"	24"
x63	12"	12 1/2"	1/2"	24"
x53	11 3/4"	12"	7/16"	24"
HP 10x57	10"	10 1/4"	9/16"	24"
x42	9 3/4"	10 1/2"	7/16"	24"
HP 8x36	8"	8 1/2"	7/16"	18"

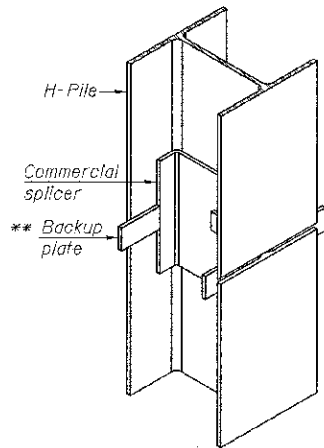
Note:
The steel H-piles shall be according to AASHTO M270 Grade 50.



ELEVATION

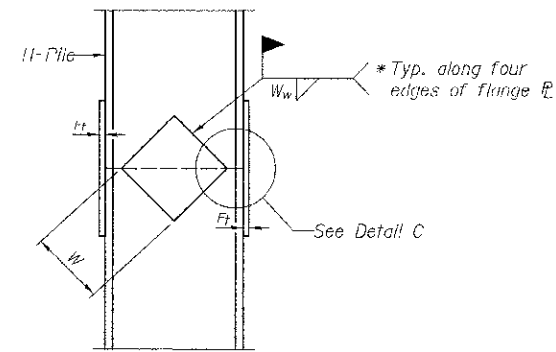


DETAIL "B"

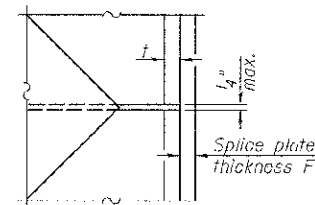


ISOMETRIC VIEW

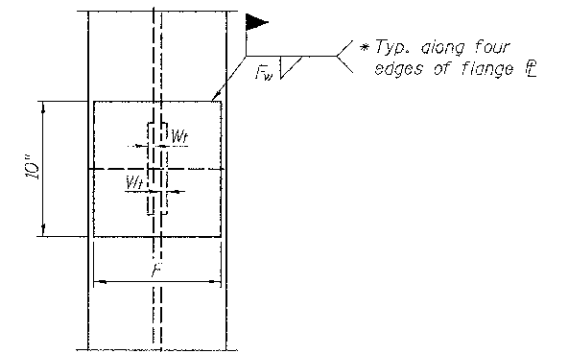
WELDED COMMERCIAL SPLICE



ELEVATION

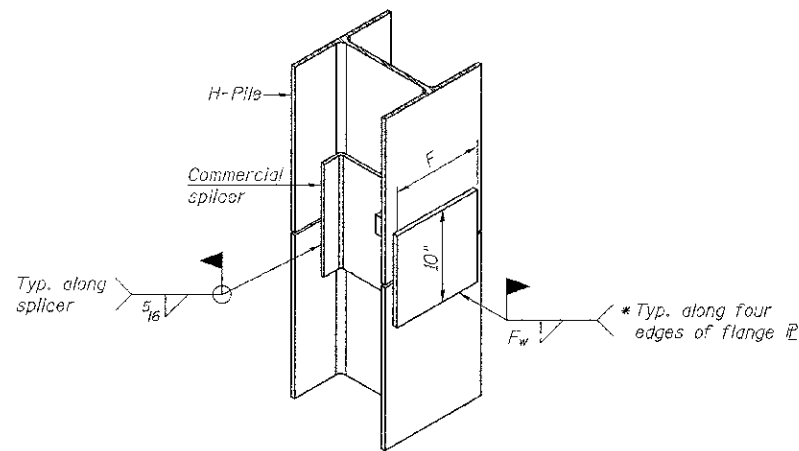


DETAIL C



END VIEW

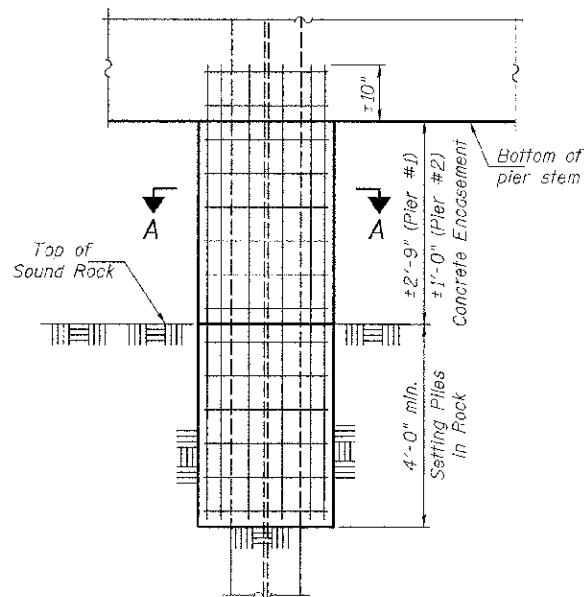
Designation	F	F _t	F _w	W	W _t	W _w
HP 14x117	12 1/2"	1"	7/8"	7 3/4"	5/8"	1/2"
x102	12 1/2"	7/8"	3/4"	7 3/4"	5/8"	1/2"
x89	12 1/2"	3/4"	1/2"	7 3/4"	5/8"	1/2"
x73	12 1/2"	5/8"	9/16"	7 3/4"	5/8"	1/2"
HP 12x84	10"	7/8"	1 1/16"	6 1/2"	5/8"	1/2"
x74	10"	7/8"	1 1/16"	6 1/2"	5/8"	1/2"
x63	10"	5/8"	1/2"	6 1/2"	1/2"	3/8"
x53	10"	5/8"	1/2"	6 1/2"	1/2"	3/8"
HP 10x57	8"	3/4"	9/16"	5 1/4"	1/2"	3/8"
x42	8"	5/8"	9/16"	5 1/4"	1/2"	3/8"
HP 8x36	7"	5/8"	7/16"	4 1/4"	1/2"	3/8"



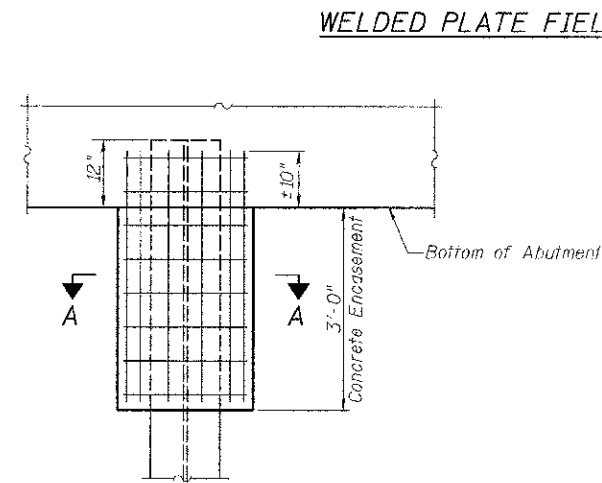
ISOMETRIC VIEW

WELDED COMMERCIAL SPLICE ALTERNATE

* Interrupt welds 1/4" from end of web and/or each flange.
** Remove portions of backup plates that extend outside the flanges.

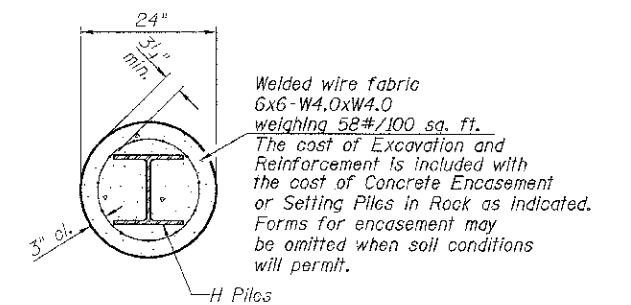


PIER ELEVATION



ABUTMENT ELEVATION

PILE ENCASEMENT



SECTION A-A

Welded wire fabric
6x6-W4.0xW4.0
weighing 58#/100 sq. ft.
The cost of Excavation and
Reinforcement is included with
the cost of Concrete Encasement
or Setting Piles in Rock as indicated.
Forms for encasement may
be omitted when soil conditions
will permit.

PILE DETAILS

PIKE COUNTY

SECTION 10-00085-00-BR

C.H. 10 OVER BAY CREEK TRIBUTARY

SHEET NO. 12 12 SHEETS	ROUTE NO. CH 10	SECTION 10-00085-00-BR	COUNTY PIKE	TOTAL SHEETS 23	SHEET NO. 18
	S.N. 075-3323		CONTRACT NO. 93582		
FED. ROAD DIST. NO. 7 ILLINOIS			FED. AID PROJECT BRS-0603(115)		