

WEST ABUTMENT BILL OF MATERIAL

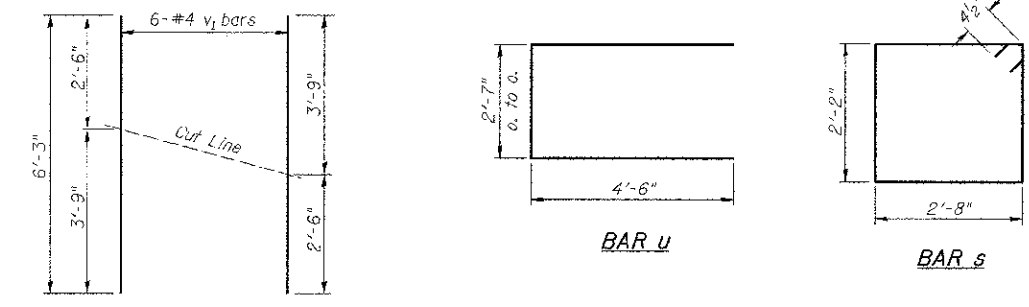
BAR	NO.	SIZE	LENGTH	SHAPE
h	6	#4	32'-9"	—
h1	20	#4	6'-6"	—
p	10	#7	32'-9"	—
s	34	#4	10'-5"	□
u	6	#6	11'-7"	□
v	66	#4	3'-2"	—
v1	12	#4	6'-3"	—
Concrete Structures		CU YD	12.6	
Reinforcement Bars		POUND	1,420	
Structure Excavation		CU YD	35	
Name Plates		EACH	1	
Furnishing Steel Piles		FOOT	80	
HP10x42				
Driving Piles		FOOT	80	
Test Pile Steel		EACH	1	
HP10x42				
Concrete Encasement		CU YD	1.7	

DESIGN STRESSES
 $f'_c = 3,500$ p.s.i.
 $f_y = 60,000$ p.s.i.

- NOTES**
- The Backwall and the portion of the Wingwalls above the bonded construction joint shall be cast against the in-place beam.
 - Reinforcement bars shall conform to ASTM A706 Grade 60.

PILE DATA

Type & Size: Steel HP10x42
 Nominal Required Bearing: 335 kips
 Factored Resistance Available: 184 kips
 Est. Length: 20'
 No. Req'd: 5 (Includes 1 Test Pile)



*Order v1 bars full length. Cut as shown and use remainder of bars in opposite face.

WEST ABUTMENT PIKE COUNTY SECTION 10-00085-00-BR C.H. 10 OVER BAY CREEK TRIBUTARY

SHEET NO. 8 12 SHEETS	ROUTE NO.	SECTION	COUNTY	TOTAL SHEETS	SHEET NO.
	CH 10	10-00085-00-BR	PIKE	23	14
S.N. 075-3323			CONTRACT NO. 93582		
FED. ROAD DIST. NO. 7 ILLINOIS			FED. AID PROJECT BRS-0603(115)		