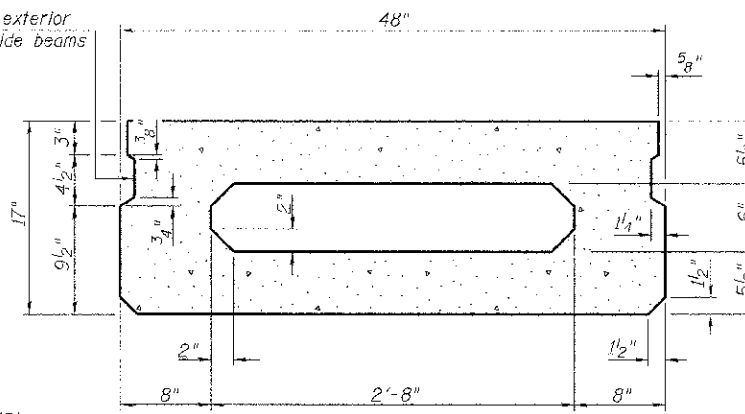


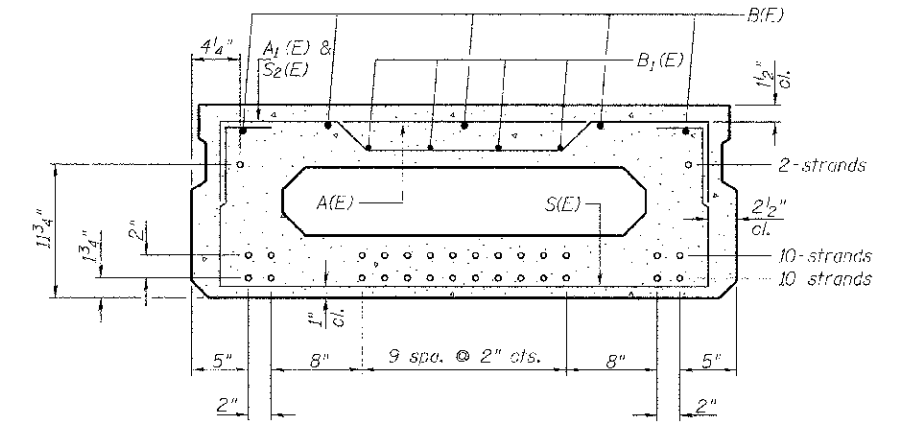
SECTION C-C

**Rail post anchor devices (Sheet 6 of 12) to be cast into exterior face of outside beams.

**Omit key on exterior face of outside beams



SECTION A-A
(Showing dimensions)



SECTION A-A
22-#5 Strands Each Strand Stressed to 30,900 Lbs.
10-Strands 1 3/4" up, 10-Strands 3 3/4" up, 2-Strands 11 3/4" up
Note: Place the number of strands specified in each row symmetrically about the centerline of beam in the permissible strand locations shown.

MINIMUM BAR LAP

#4 bar = 2'-0"
#5 bar = 2'-6"

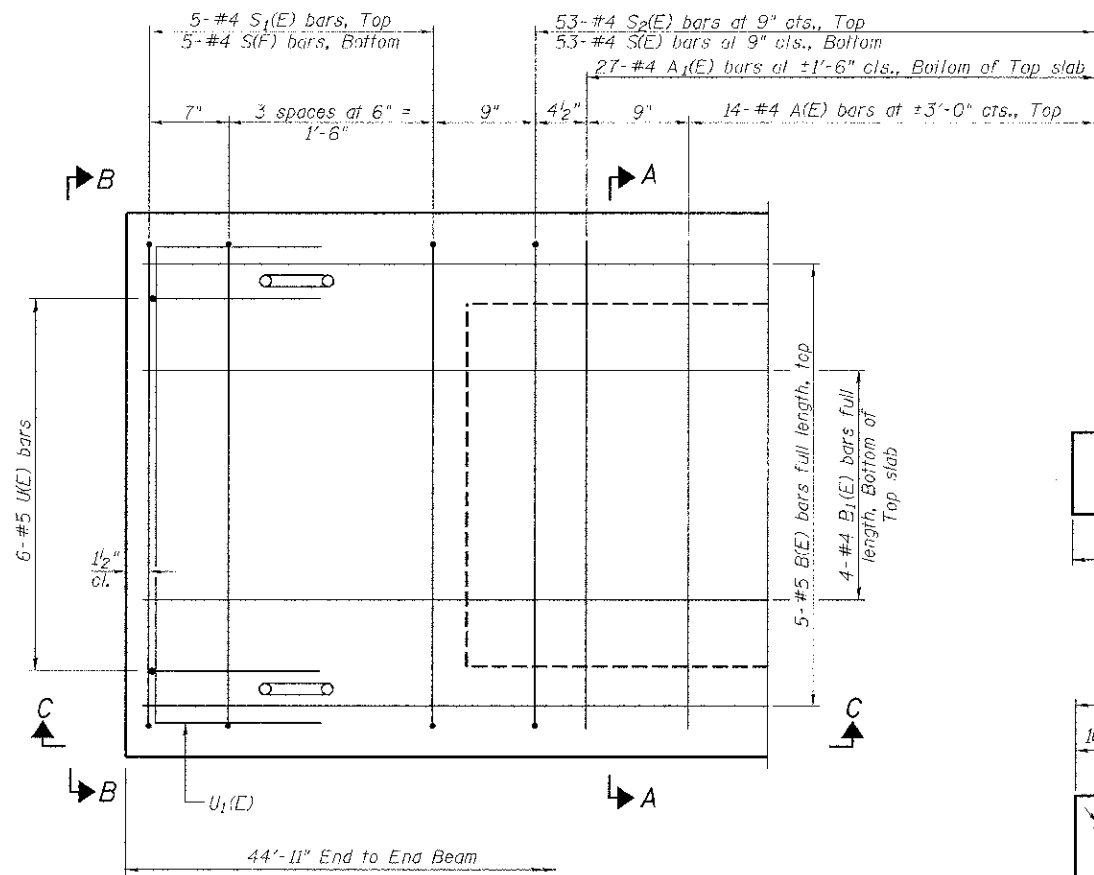
BAR LIST ONE BEAM ONLY

(For information only)

Bar	No.	Size	Length	Shape
A1(E)	14	#4	3'-7"	—
A1(E)	27	#4	3'-10"	—
B1(E)	5	#5	*44'-8"	—
B1(E)	4	#4	*44'-8"	—
S1(E)	63	#4	6'-9"	—
S1(E)	10	#4	5'-3"	—
S2(E)	53	#4	5'-6"	—
U1(E)	12	#5	3'-8"	—
U1(E)	2	#4	6'-0"	—

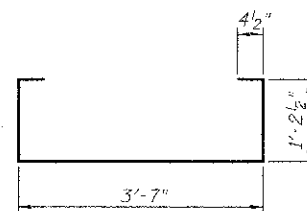
* Total Length, Lap as necessary

Note: See sheet 4 of 12 for additional details and Bill of Material.

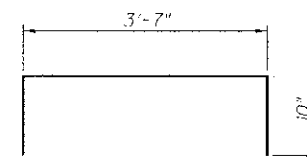


PLAN VIEW

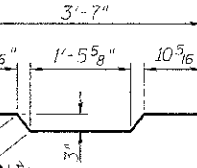
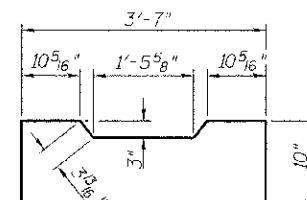
Note: Spacing of S1(E) and S2(E) bars may be adjusted up to 4" in the immediate area of the transverse tie diaphragms to miss the block outs for the transverse ties.



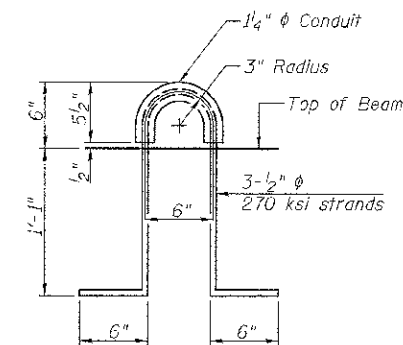
BAR S1(E)



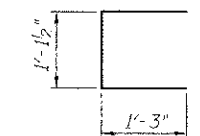
BAR S2(E)



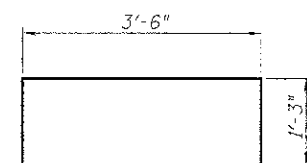
BAR A1(E)



LIFTING LOOP DETAIL



BAR U1(E)



BAR U1(E)

SUPERSTRUCTURE DETAILS - SPAN 2
PIKE COUNTY
SECTION 10-00085-00-BR
C.H. 10 OVER BAY CREEK TRIBUTARY

SHEET NO. 5 12 SHEETS	ROUTE NO.	SECTION	COUNTY	TOTAL SHEETS	SHEET NO.
	CH 10	10-00085-00-BR	PIKE	23	11
	S.N. 075-3323		CONTRACT NO. 93582		
FED. ROAD DIST. NO. 7		ILLINOIS	FED. AID PROJECT BRS-0603(115)		