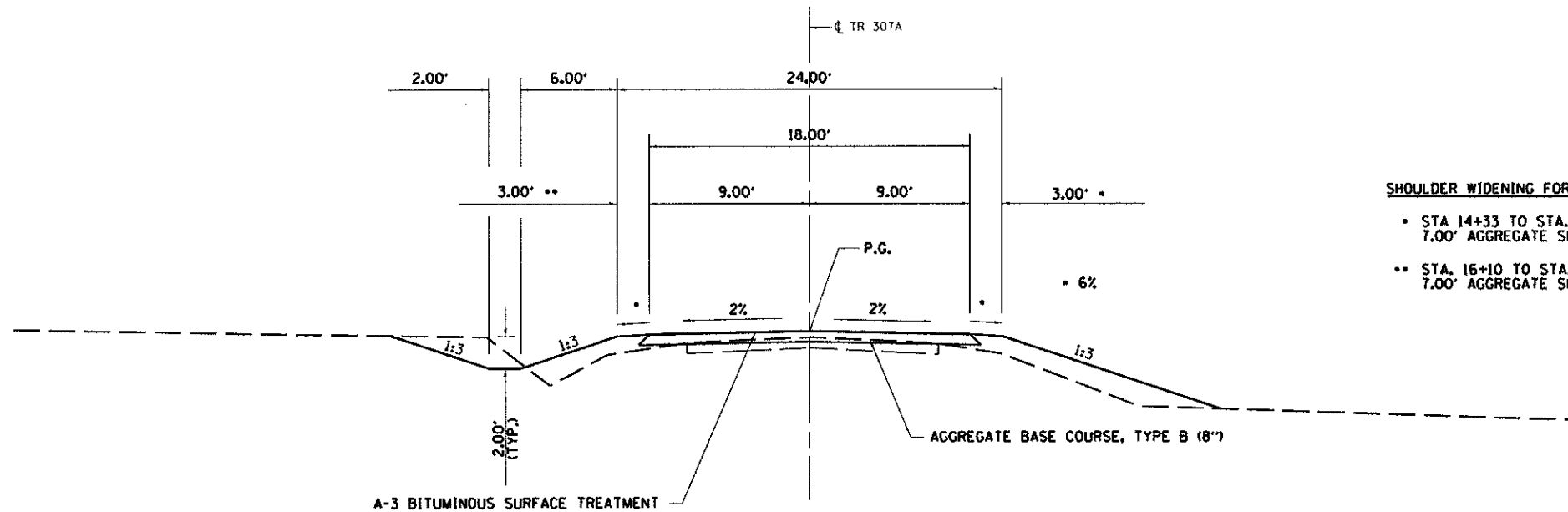


EXISTING TYPICAL ROADWAY SECTION

STA. 11+00 TO STA. 24+00



PROPOSED TYPICAL ROADWAY SECTION

STA. 11+00 TO STA. 24+00
 (BRIDGE OMISSION : STA. 15+19.00 TO STA. 16+24.00)

SHOULDER WIDENING FOR TRAFFIC BARRIER TERMINALS

- STA 14+33 TO STA. 15+33
7.00' AGGREGATE SHOULDERS, TYPE B (6")
- STA. 16+10 TO STA. 17+10
7.00' AGGREGATE SHOULDERS, TYPE B (6")

GREEN & BALFOUR, INC.
OF SPASHER



FILE NAME =	USER NAME = amandah	DESIGNED - WCB	REVISED -
J:\09029\CADD\CADsheets\09029-sh-typic	1.dgn	DRAWN - FAV	REVISED -
PLOT SCALE = 100.0000' / in.		CHECKED - MDS	REVISED -
PLOT DATE = 5/3/2011		DATE - 05/01/09	REVISED -

STATE OF ILLINOIS
DEPARTMENT OF TRANSPORTATION

TR 307A - TYPICAL SECTIONS

SCALE: SHEET NO. 1 OF 1 SHEETS STA. TO STA.

T.R. RTE.	SECTION	COUNTY	TOTAL SHEETS	SHEET NO.
307A	08-04118-00-BR	CHRISTIAN	26	4
CONTRACT NO. 08567				
FED. ROAD DIST. NO. ILLINOIS FED. AID PROJECT BR05-0021 (172)				

PLOT DRIVER = V81.PDF.pltcf