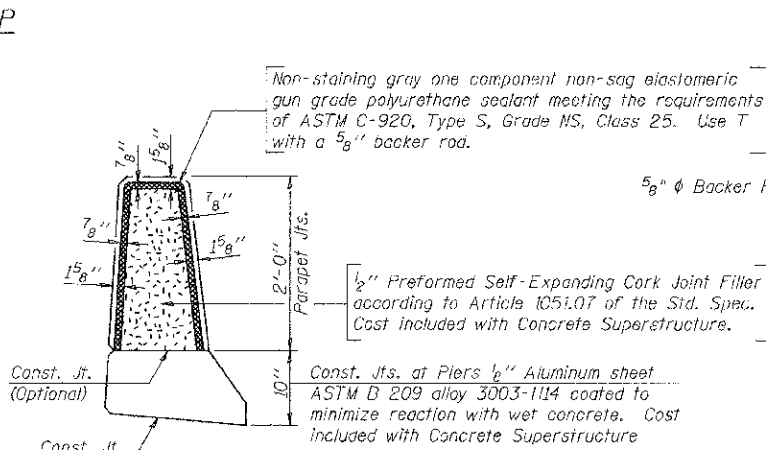
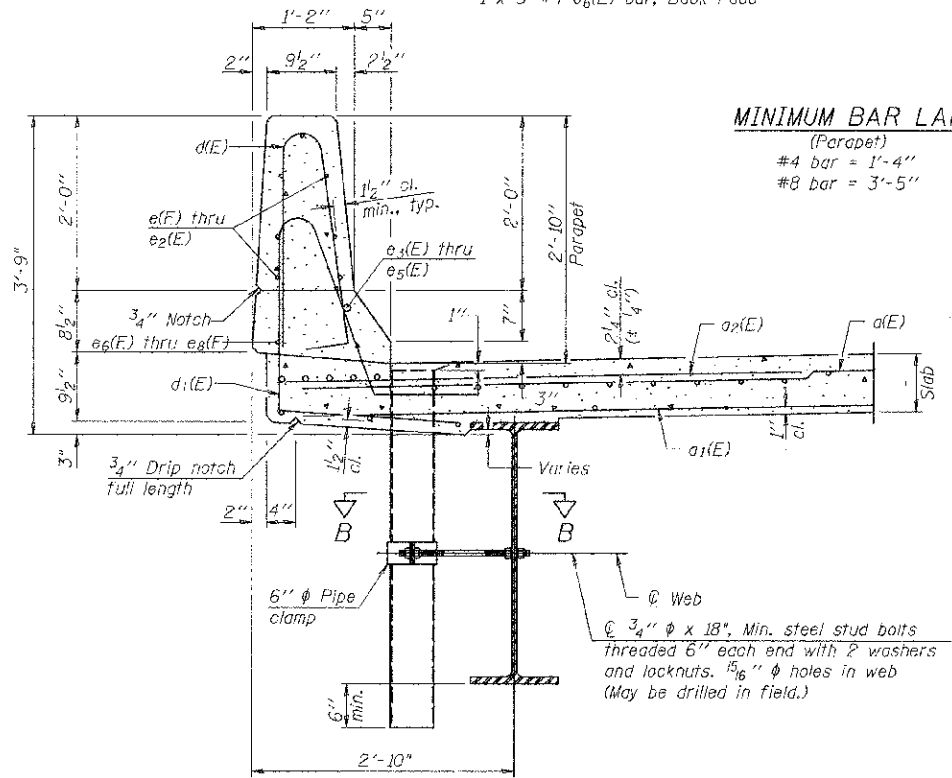
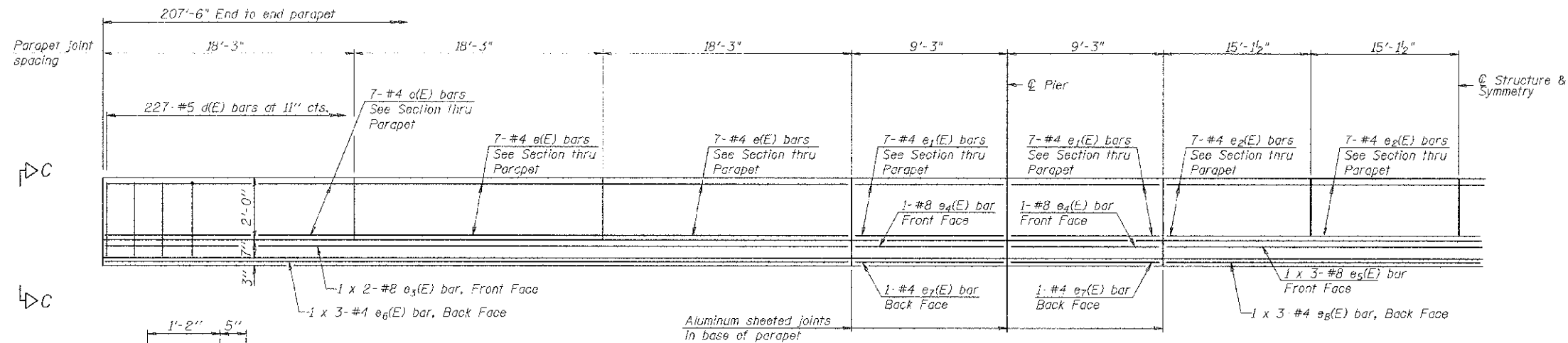
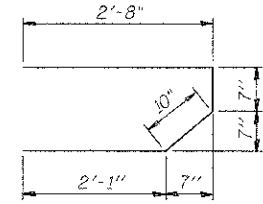
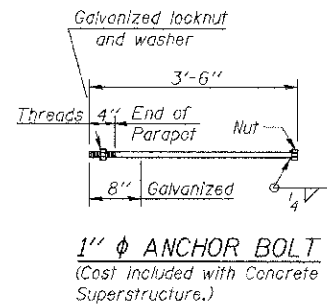


ROUTE NO.	SECTION	COUNTY	TOTAL SHEETS	SHEET NO.
C.H. 16	07-00944-00-BR	CHAMPAIGN	45	17
STA.	TO STA.			
FALWA. REG.	ILLINOIS	PROJECT		



Notes:
 The exterior surfaces of the floor drains shall be painted with the finish coat as specified in the special provisions for Cleaning and Painting New Metal Structures. The exterior surfaces of the drains shall be cleaned according to Society of Protective Coatings Spec. SSPC-SP1 prior to painting.
 Fiberglass pipe shall conform to ASTM D 2996, with short-time rupture strength hoop tensile stress of 30,000 p.s.i. minimum.



SUPERSTRUCTURE BILL OF MATERIAL

Bar	No.	Size	Length	Shape	
a(E)	356	#5	32'-6"	—	
a ₁ (E)	250	#5	32'-6"	—	
a ₂ (E)	356	#6	6'-0"	—	
b(E)	296	#5	28'-6"	—	
b ₁ (E)	70	#6	38'-0"	—	
b ₂ (E)	279	#5	25'-0"	—	
d(E)	454	#5	5'-7"	—	
d ₁ (E)	454	#5	7'-8"	—	
e(E)	84	#4	17'-11"	—	
e ₁ (E)	56	#4	8'-11"	—	
e ₂ (E)	56	#4	14'-9"	—	
e ₃ (E)	8	#8	29'-0"	—	
e ₄ (E)	8	#8	8'-11"	—	
e ₅ (E)	6	#8	22'-6"	—	
e ₆ (E)	12	#4	19'-3"	—	
e ₇ (E)	8	#4	8'-11"	—	
e ₈ (E)	6	#4	21'-0"	—	
m(E)	36	#6	7'-9"	—	
m ₁ (E)	10	#6	32'-6"	—	
s(E)	72	#5	6'-2"	—	
s ₁ (E)	72	#4	8'-6"	—	
v(E)	64	#5	3'-4"	—	
Reinforcement Bars, Epoxy Coated				Pound	55,440
Concrete Superstructure				Cu. Yds.	243.1

Bars indicated thus 1 x 2 - #5 etc. indicates 1 line of bars with 2 lengths per line.

