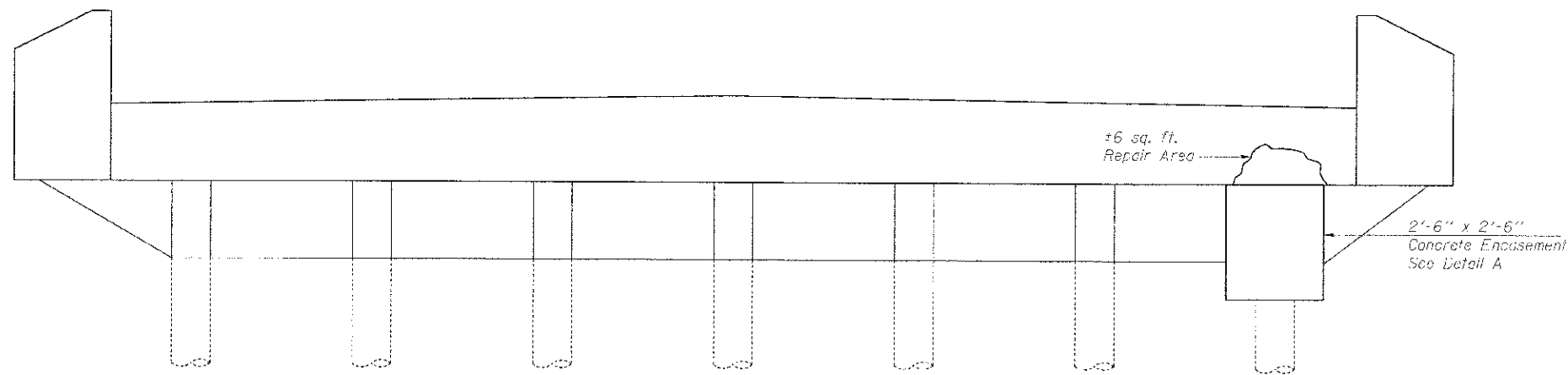
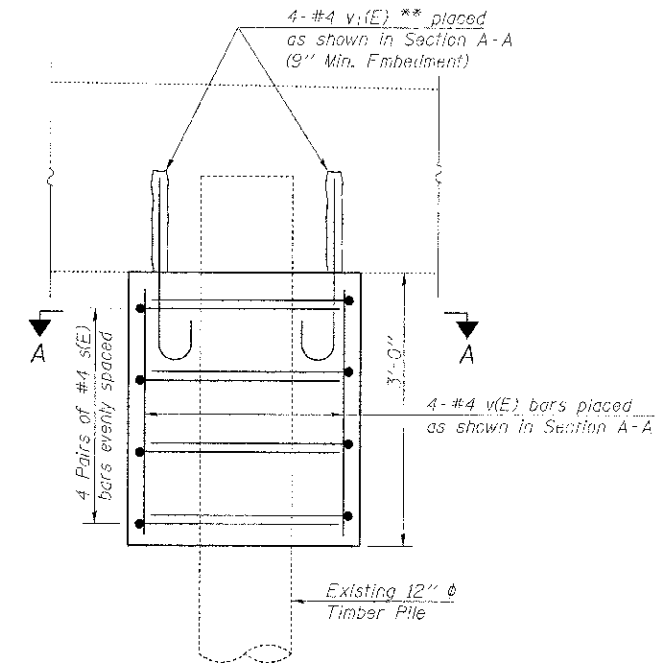


EAST ABUTMENT ELEVATION

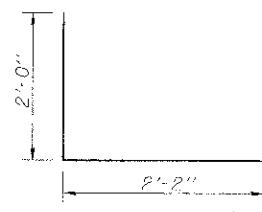


WEST ABUTMENT ELEVATION

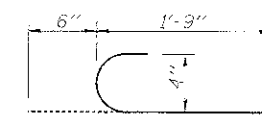


DETAIL A

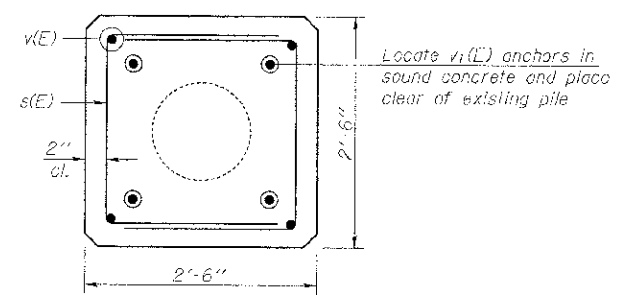
** Drill & Epoxy Grout v₁(E) according to Section 584 of the Standard Specifications. Cost included with Reinforcement Bars, Epoxy Coated.



BAR s(E)



BAR v₁(E)



SECTION A-A

Locate v₁(E) anchors in sound concrete and place clear of existing pile

NOTES

Quantity provided for Structural Repair of Concrete is a nominal area, intended for repairs to the abutment seat as needed, plus repair areas shown. Actual repair areas to be determined by the Engineer after superstructure removal.

Epoxy grouted v₁(E) bars shall be allowed to cure in place for at least 24 hours prior to beginning encasement work.

See Sheet 6 of 7 for suggested sequence of construction and additional details.

BILL OF MATERIAL

Bar	No.	Size	Length	Shape
s(E)	5	#4	6'-2"	□
v(E)	4	#4	2'-8"	—
v ₁ (E)	4	#4	2'-3"	U
Reinforcement Bars, Epoxy Coated			Pound	50
Concrete Encasement			Cu. Yd.	0.7
Structural Repair of Concrete (Depth Equal to or Less Than 5')			Sq. Ft.	100

COPYRIGHT © 2012 BY BAYVIEW & WOODMAN, LLC
 ALL RIGHTS RESERVED. THIS DRAWING IS THE PROPERTY OF BAYVIEW & WOODMAN, LLC.
 LICENSE NO. 04-000008-CC-BR 4/20/2013
 5/23/2012 3:43:35 PM

FILE NAME #	USER NAME #	DESIGNED AS	REVISED	VILLAGE OF KIRKLAND HORTENSE ST BRIDGE OVER BULL RUN CREEK	CONCRETE REPAIR DETAILS STRUCTURE NO. 019-4002	SHEET NO. 7 OF 7 SHEETS	MUN. ST.	SECTION	COUNTY	TOTAL SHEETS	
		CHECKED BAB	REVISED				1090	10-00008-CC-BR	DEKALB	20	16
		DRAWN BCD	REVISED				CONTRACT NO. 87532				
		CHECKED BLB	REVISED				FED. ROAD DIST. NO. 3 (ILLINOIS) FED. AID PROJECT RRP-03740431				