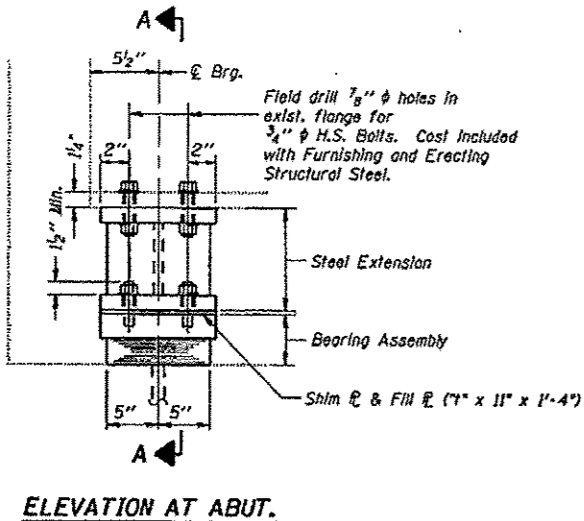
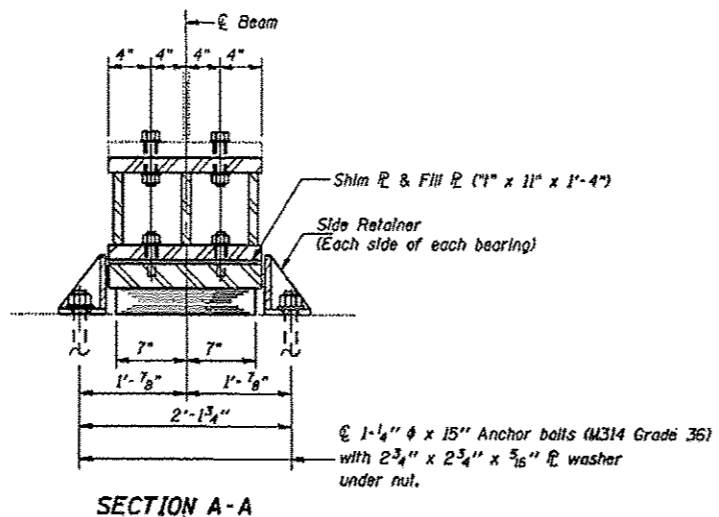


STATE OF ILLINOIS
DEPARTMENT OF TRANSPORTATION



ELEVATION AT ABUT.

TYPE I ELASTOMERIC EXP. BRG.



SECTION A-A

Notes:

Anchor bolts shall be ASTM F1554 all-thread for an Engineer-approved alternate material) of the grade(s) and diameter(s) specified. The corresponding specified grade of AASHTO M314 anchor bolts may be used in lieu of ASTM F1554.

Drilled and set anchor bolts shall be installed according to Article 521.06 of the Standard Specifications.

Side retainers and other steel members required for the bearing assembly shall be included in the cost of Elastomeric Bearing Assembly, Type I.

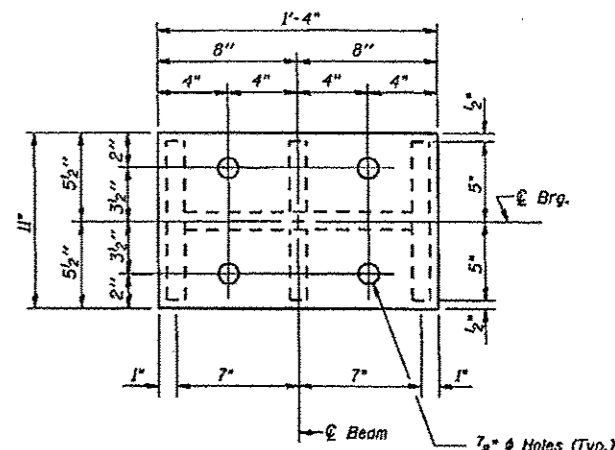
The minimum jack capacity required is 60 Tons.

Existing diaphragm removal and reinstallation may be required to facilitate drilling holes, cost to be included with "Jack and Remove Existing Bearings".

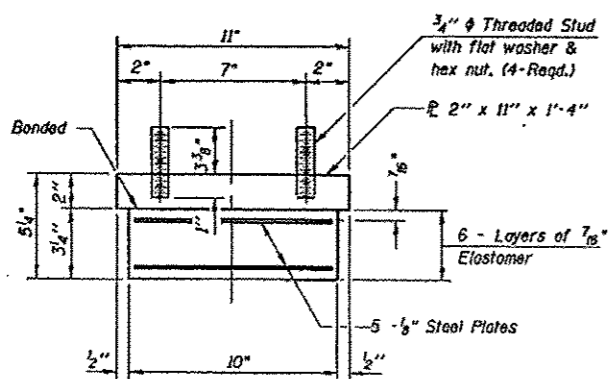
Prior to ordering any material, the Contractor shall verify in the field all bearing height and shim thickness dimensions.

Two 1/8 in. adjusting shims shall be provided for each bearing in addition to all other plates or shims and placed as shown on bearing details.

New steel extensions, connection bolts, Fill P's and Shim P's are included in "Furnishing and Erecting Structural Steel".



PLAN-TOP & BOTTOM PLATE



BEARING ASSEMBLY

Note: Shim plates shall not be placed under Bearing Assembly.

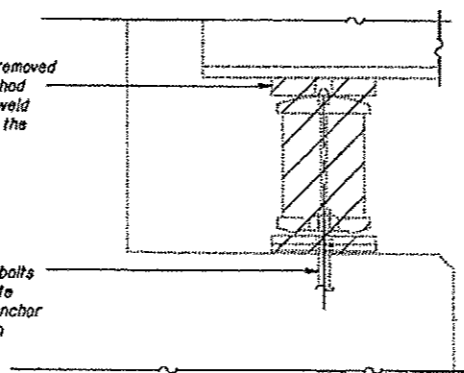
GIRDER REACTIONS

RR	(K)	48
Rt	(K)	47
Imp.	(K)	11
R (Total)	(K)	106

FILL PLATES "I"

Beam #5	1/2" x 11" x 1'-4"
Beam #6	5/8" x 11" x 1'-4"

Existing Plate to be removed using the air-arc method and grind smooth all weld material remaining on the bottom flange.

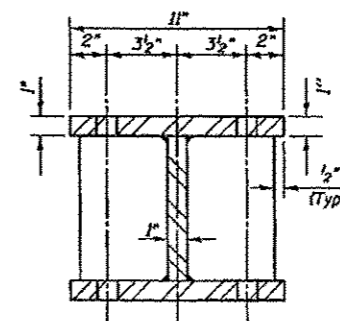


EXISTING BEARING REMOVAL DETAIL

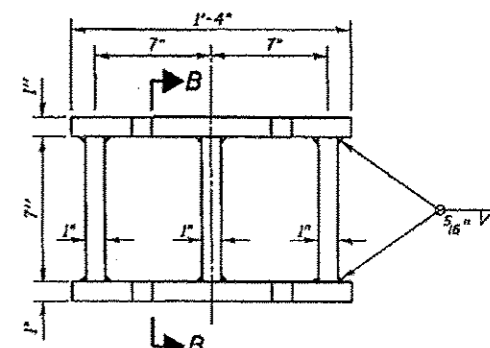
Cost is included with Jack and Remove Existing Bearings

Burn the existing anchor bolts flush with existing concrete surface. Grind existing anchor bolts smooth and seal with epoxy.

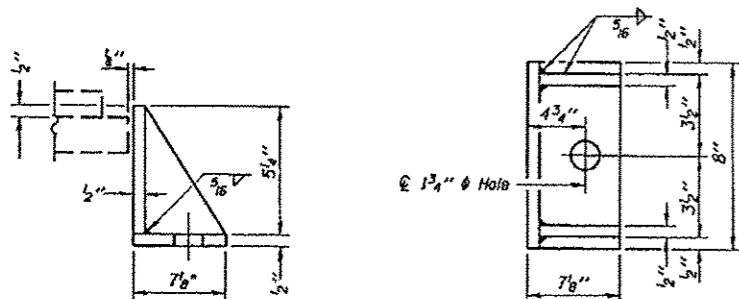
ABUTS



SECTION B-B

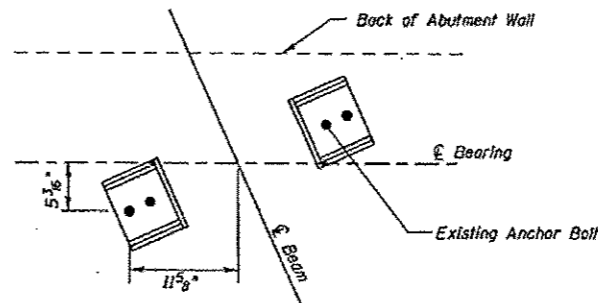


STEEL EXTENSION DETAIL



SIDE RETAINER

Equivalent rolled angle with stiffeners will be allowed in lieu of welded plates.



ANCHOR BOLT LAYOUT

BILL OF MATERIAL BOTH ABUTS.

Item	Unit	Total
Elastomeric Bearing Assembly Type I	Each	12
Anchor Bolts, 1"	Each	24
Jack and Remove Existing Bearings	Each	12
Furnishing and Erecting Structural Steel	Pound	2530

BEARING DETAILS

ABUTMENTS

STRUCTURE NO. 041-0062

**09 CM BRIDGE REPAIR 2013-2

FILE NAME	USER NAME = malthra	DESIGNED - RAW	REVISED -	STATE OF ILLINOIS DEPARTMENT OF TRANSPORTATION	ABUTMENT BEARING DETAILS	F.A.P. RTE.	SECTION	COUNTY	TOTAL SHEETS	SHEET NO.	
		DRAWN - RAW	REVISED -			B49	**	JEFFERSON	9	7	
		CHECKED - TWH	REVISED -			CONTRACT NO. 78308					
		DATE - 4/10/2012	REVISED -			ILLINOIS FED. AID PROJECT					