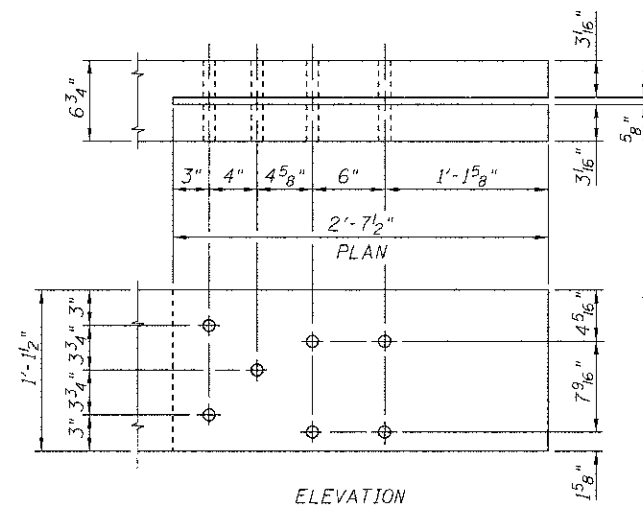
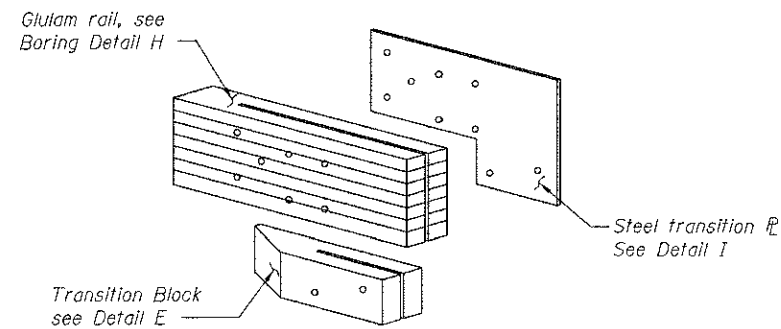
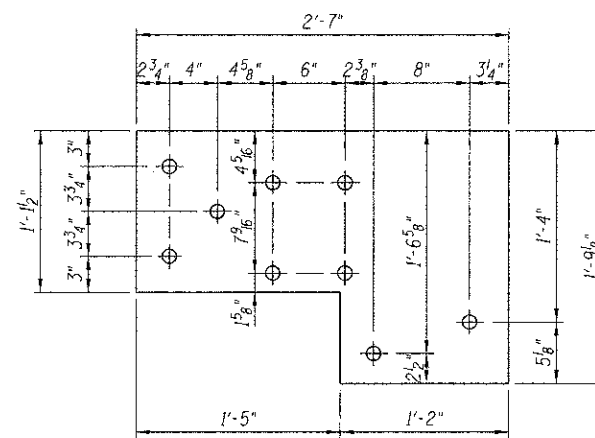


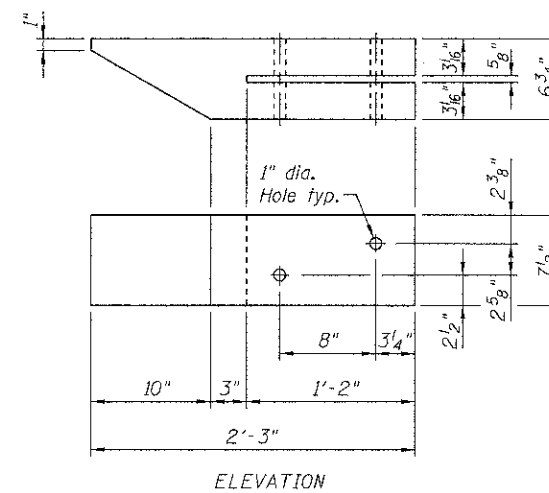
TRANSITION CONNECTION DETAILS



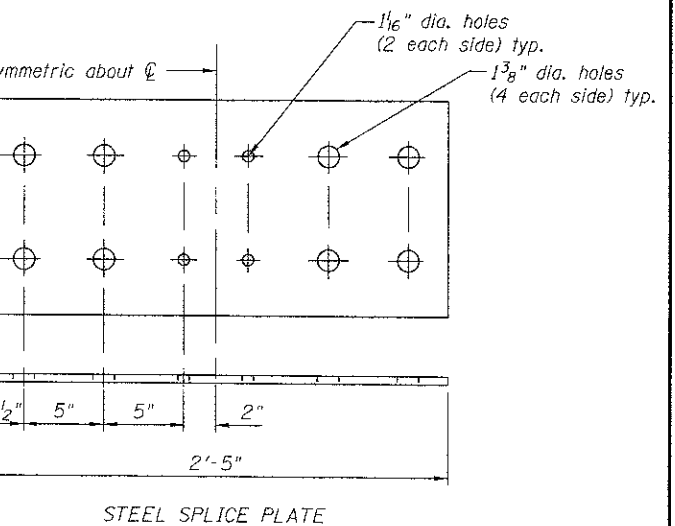
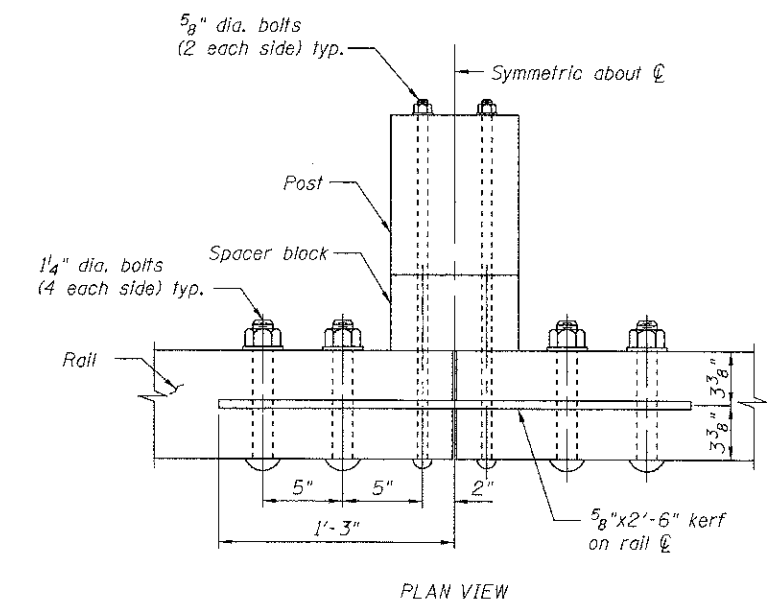
TRANSITION GLULAM RAIL BORING DETAIL



DETAIL I TRANSITION PLATE



DETAIL E TRANSITION BLOCK



DETAIL C RAIL SPLICE DETAILS

Notes:
For Details E, G, H and I, See BD-RT3E.