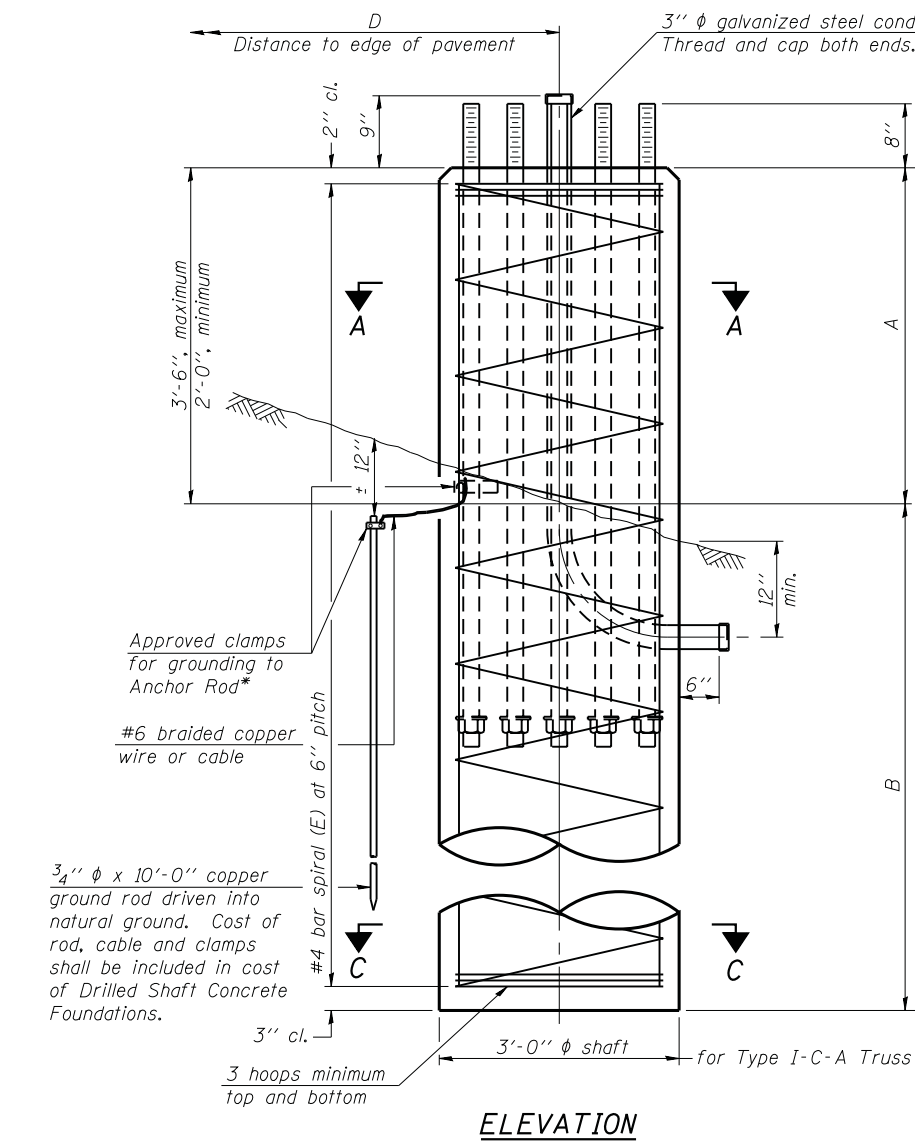
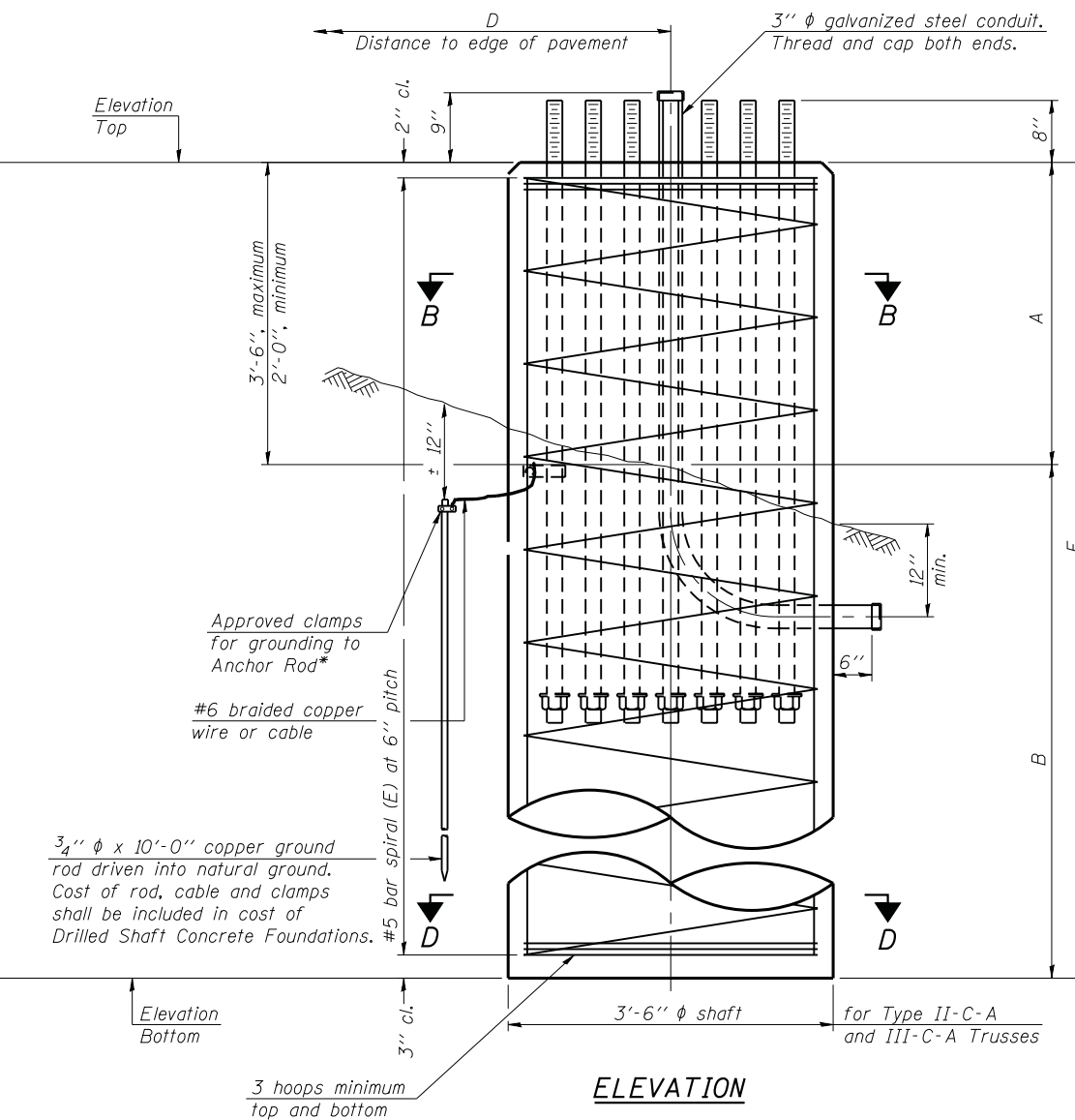


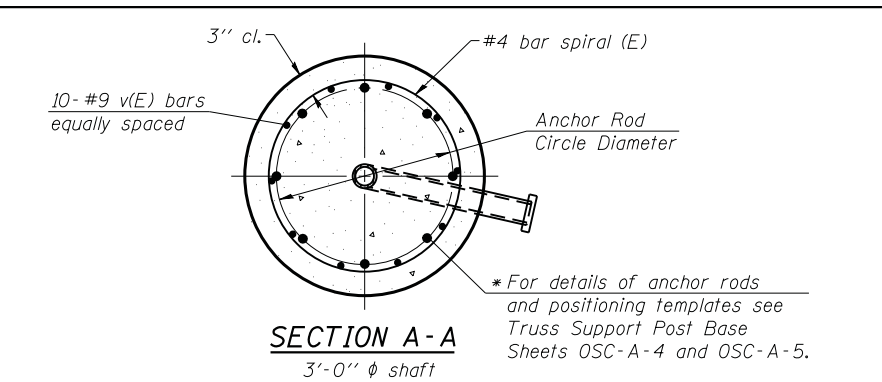
* Grind anchor rod to bright finish at ground clamp location before installing clamp.



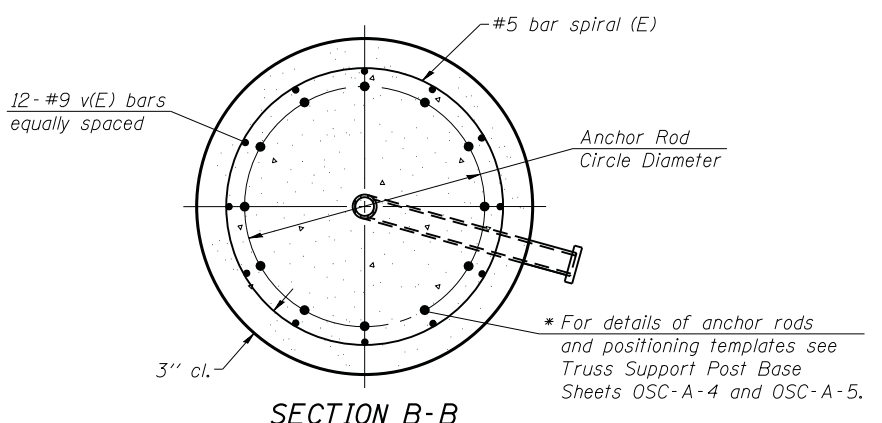
ELEVATION



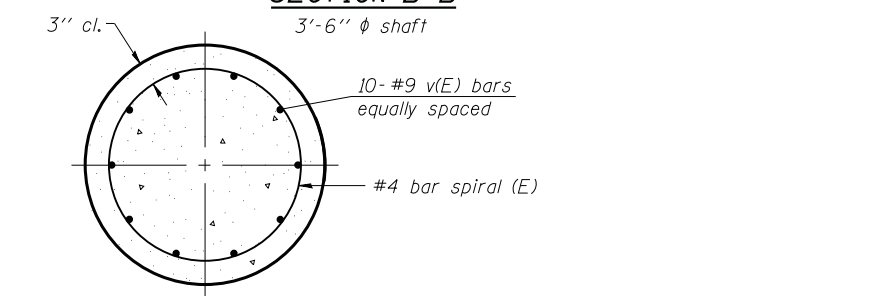
ELEVATION



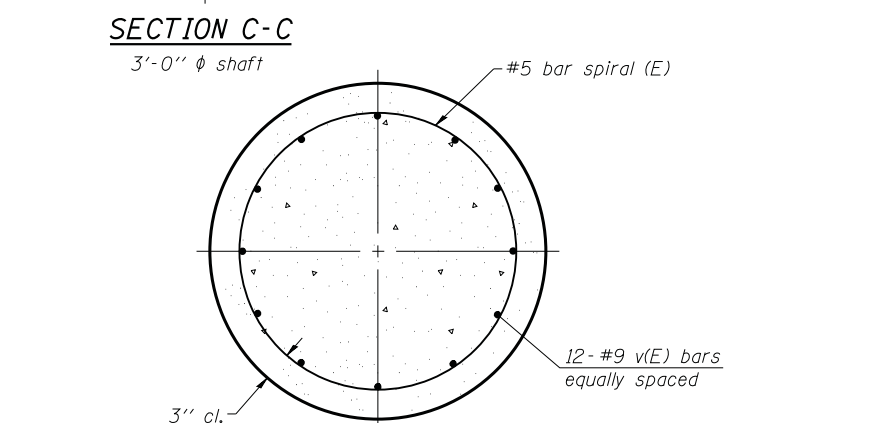
SECTION A-A
3'-0" ϕ shaft



SECTION B-B
3'-6" ϕ shaft



SECTION C-C
3'-0" ϕ shaft



SECTION D-D
3'-6" ϕ shaft

NOTES:
 The foundation dimensions shown in the Foundation Design Table are based on the presence of mostly cohesive soils with an average Unconfined Compressive Strength (Q_u) of at least 1.25 tsf, which must be determined by previous soil investigations at the jobsite. When other conditions are indicated, the boring data will be included in the plans and the foundation dimensions shown in the Foundation Data Table will be the result of site specific designs.
 If the conditions encountered are different than those indicated, the Contractor shall notify the Engineer to determine if the foundation dimensions need to be modified. If dimensions "B" or "F" are revised by more than 12" by the Contractor, "as-built" plans shall be prepared and submitted to the District Bureau of Operations for future reference.
 No sonotubes or decomposable forms shall be used below the lower conduit entrance. Permanent metal forms or other shielding may not be left in place below that elevation without the Engineer's written permission.
 Concrete shall be placed monolithically, without construction joints.
 Backfill shall be placed per Article 502 of Standard Specification and prior to erection of support column.
 A normal surface finish followed by a Bridge Seat Sealer application will be required on concrete surfaces above the lowest elevation 6" below finished ground line. Cost included in "Drilled Shaft Concrete Foundation".

Truss Type	Post Base Sheet	Maximum Cantilever Length (ft)	Maximum Total Sign Area (sq ft)	Shaft Diameter (in)	"B" Depth (ft)	Anchor Rods		Anchor Rod Circle Diameter (in)
						No.	Diameter (in)	
I-C-A	OSC-A-4	25	170	3.0	16.0	8	2	22
II-C-A	OSC-A-5	30	170	3.5	17.0	12	2	30
II-C-A	OSC-A-5	30	340	3.5	21.5	12	2	30
III-C-A	OSC-A-5	35	170	3.5	19.0	12	2	30
III-C-A	OSC-A-5	35	250	3.5	22.5	12	2	30
III-C-A	OSC-A-5	35	400	3.5	26.5	12	2	30
III-C-A	OSC-A-5	40	400	3.5	32.0	12	2	30

Structure Number	Station	Truss Type	Shaft Diameter	Elevation Top	Elevation Bottom	Q_u	A	B	F	Class DS Concrete Cubic Yards
10I6394L000.0-001	124+60.00	III-C-A	3'-6"	639.30	604.30	1.5 tsf	3'-0"	32'-0"	35'-0"	12.5

OSC-A-9

9-15-11



USER NAME = mhardin
 DESIGNED - J. GUERRIERO
 DRAWN - J. GUERRIERO
 CHECKED - R. DAVIES
 PLOT DATE = 5/17/2012

REVISIONS:
 REVISED -
 REVISED -
 REVISED -
 REVISED -

STATE OF ILLINOIS
 DEPARTMENT OF TRANSPORTATION

CANTILEVER SIGN STRUCTURES - DRILLED SHAFT
 ALUMINUM TRUSS & STEEL POST

F.A. RTE. 332
 SECTION 2011-073-T
 COUNTY COOK
 TOTAL SHEETS 44
 SHEET NO. 24
 CONTRACT NO. 60P93

SCALE: N/A
 SHEET NO. OF SHEETS STA. TO STA.

FED. ROAD DIST. NO. ILLINOIS FED. AID PROJECT

COMPANY NAME: HRGreen.com
 PROJECT CONTACT: Illinois Professional Design Firm #184-001322
 DATE PLOTTED: 5/17/2012 14:42:28 PM
 FILE NAME: 8610019611-sign-09.dgn
 PLOT DRIVER: pdfplot
 PEN TABLE: Struct 22x34.tbl