

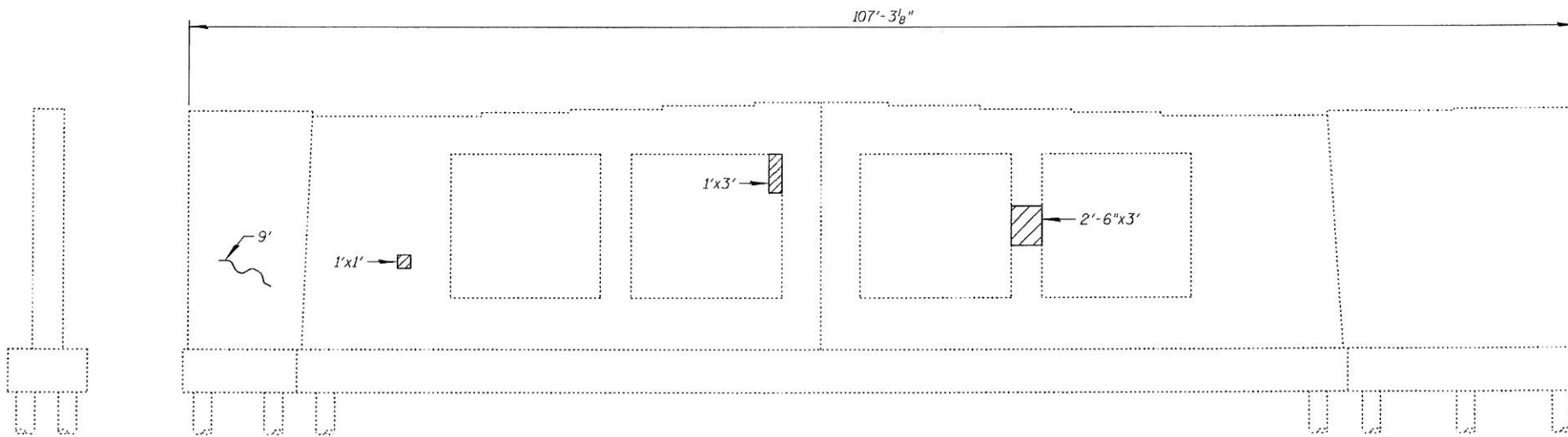


PIER 1
(Looking West)

LEGEND:
 Structural Repair of Concrete
 (Depth Equal To or Less Than 5 Inches)
 Cracks (perform Epoxy Crack Injection)



PIER 1
(Looking East)

BILL OF MATERIAL

ITEM	UNIT	QUANTITY
Structural Repair of Concrete (Depth Equal To or Less Than 5 Inches)	Sq Ft	118
Epoxy Crack Injection	Foot	9

FILE NAME = I:\02915_Touhy_Ave\Structural\CADD Sheets\160P72-16-per-1.dgn



USER NAME = IDOT	DESIGNED - J.C.N./B.N.S.	REVISED -
PLLOT SCALE = 49.999968 ' / IN.	CHECKED - B.N.S./J.C.N.	REVISED -
PLLOT DATE = 5/14/2012	DRAWN - F.M.	REVISED -
	DATE - JANUARY 6, 2012	REVISED -

STATE OF ILLINOIS
DEPARTMENT OF TRANSPORTATION

PIER 1 REPAIRS
STRUCTURE NO. 016-0713

SHEET NO. 516 OF 521 SHEETS

F.A.I. RTE.	SECTION	COUNTY	TOTAL SHEETS	SHEET NO.
94	0304, 1 HB-1-2	COOK	44	27
ILLINOIS FED. AID PROJECT			CONTRACT NO. 60P72	