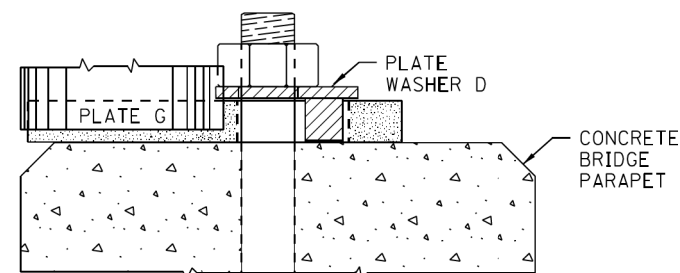


PLATE WASHER D



PLACEMENT OF PLATE WASHER D  
(PLAN)

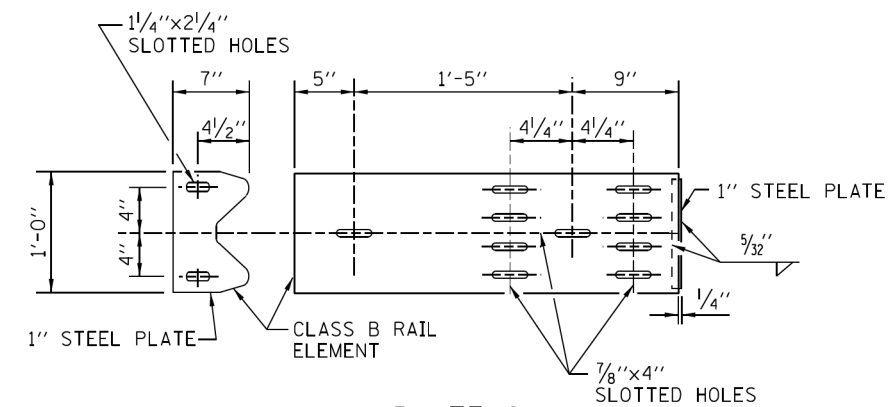


PLATE G

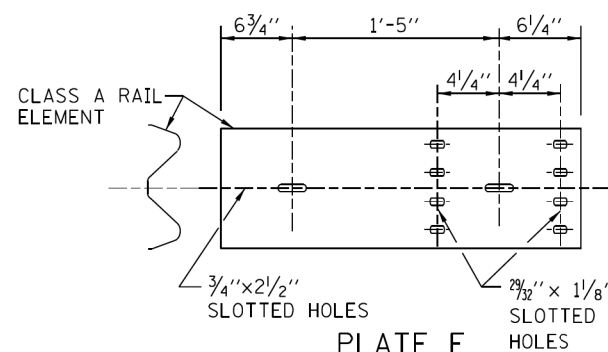


PLATE E

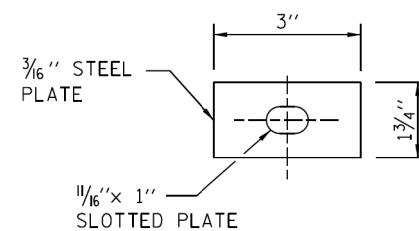
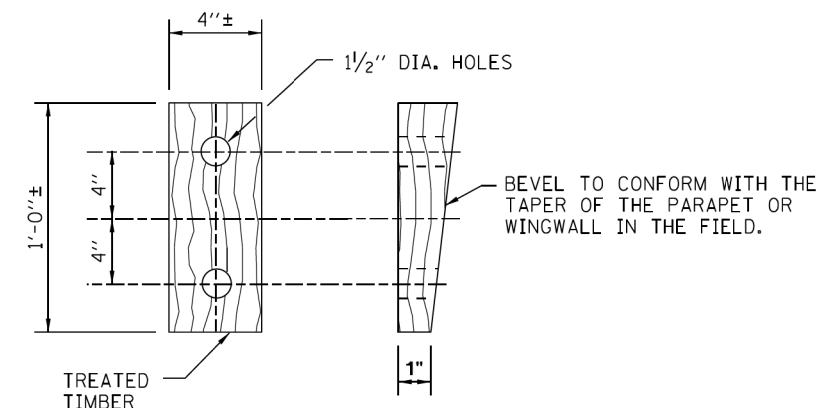


PLATE WASHER F



WEDGE M

NOTE:  
SEE SHEET 1 OF THIS SERIES FOR NOTES.

SHEET 2 OF 2



TRAFFIC BARRIER  
TERMINAL, TYPE T5

STANDARD C8-03

*Paul Kovacs*  
APPROVED ..... DATE 7-1-2009  
CHIEF ENGINEER

BOWMAN, BARRETT & ASSOCIATES INC.  
CONSULTING ENGINEERS  
Chicago, Illinois  
312.228.0100  
www.bbandainc.com



FILE NAME = #FILES#

USER NAME = default

DESIGNED -

REVISED -

DRAWN -

REVISOR -

PLOT SCALE = H=1'-10" V=1'-5"

CHECKED - RGR

REVISOR -

PLOT DATE = 6/18/2012

DATE - 6/19/2012

REVISOR -

STATE OF ILLINOIS  
DEPARTMENT OF TRANSPORTATION

TOLLWAY STANDARD DRAWING

SCALE: SHEET NO. N/A OF N/A SHEETS STA. TO STA.

F.A. RTE.	SECTION	COUNTY	TOTAL SHEETS	SHEET NO.
94	49-1-R-1	LAKE	677	644
CONTRACT NO. 60L77				
ILLINOIS FED. AID PROJECT				

S:\1101\95-CADD\60L77 IL 175\60L77 Sheets\160L77-shr-15114a.dwg