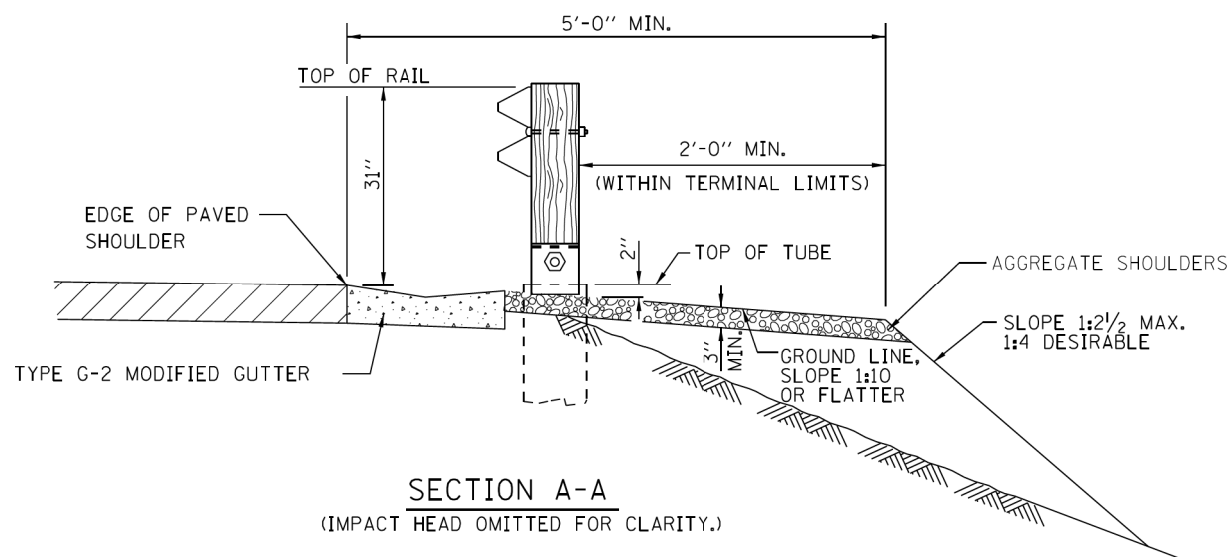


**SHOULDER WIDENING TRANSITION-WITH GUTTER, TYPE G-2
FOR TRAFFIC BARRIER TERMINAL TYPE T1 (SPECIAL)**



SECTION A-A
(IMPACT HEAD OMITTED FOR CLARITY.)

NOTE:
SEE SHEET 1 OF THIS SERIES FOR NOTES.

SHEET 3 OF 3


Illinois Tollway
Open Roads for a Faster Future

SHOULDER WIDENING FOR
 TRAFFIC BARRIER TERMINAL
 TYPE T1 (SPECIAL)

STANDARD C6-03


 APPROVED DATE 7-1-2009
 CHIEF ENGINEER

BOWMAN, BARRETT & ASSOCIATES INC.
 CONSULTING ENGINEERS
 Chicago, Illinois
 312.228.0100
 www.bbandainc.com



FILE NAME = \$FILES\$	USER NAME = default	DESIGNED -	REVISED -	STATE OF ILLINOIS DEPARTMENT OF TRANSPORTATION	TOLLWAY STANDARD DRAWING	F.A. RTE.	SECTION	COUNTY	TOTAL SHEETS	SHEET NO.	
	PLOT SCALE = H=1"=10' V=1"=5'	DRAWN -	REVISED -			94	49-1-R-1	LAKE	677	639	
	PLOT DATE = 6/18/2012	CHECKED - RGR	REVISED -			CONTRACT NO. 60L77					
		DATE - 6/19/2012	REVISED -			ILLINOIS FED. AID PROJECT					

S:\1101\95\CADD\60L77_IL_173\60L77_Sheets\0160L77-shs-15114.dgn